

THE RIGHT ANALYZER FOR *YOUR* APPLICATION!

## WDG-INSITU FLUE GAS OXYGEN ANALYZER

DIRECT-SENSING INSITU PROBE SUITABLE FOR APPLICATIONS WHERE THE FLUE GAS TEMPERATURE DOES NOT EXCEED 1250°F (677°C) AND WHERE COMBUSTIBLES MEASUREMENT IS NOT REQUIRED. COMPLETELY FIELD SERVICEABLE.

### SENSOR



**Principle of Operation:** Zirconium oxide for net oxygen measurement.

**Output Range:** Oxygen: From 0-1% to 0-100%

**Accuracy:** ±1% of measured value or ±0.05% oxygen, whichever is greater

**Response:** < 3 secs. to calibration gas. 63% of a process step change < 20 secs.

**Drift:** < 0.1% of cell output per month (< 0.005% O<sub>2</sub> per month with 2% O<sub>2</sub> applied)

**Linearity:** ±1% of output span

**Repeatability:** ±1% of output span

**Max. Flue Gas Temperature:** 1250°F (677°C). Outer probe material is RA330.

**Sample Pressure**

± 2 psig: no adjustments required

± 2 to ± 9 psig: software selectable

± 10 psig and above: consult factory

### Environment

Ambient Temp.: -5°F - 160°F (-20°C - 71°C)  
Relative Humidity: 10% to 90%, non-condensing

**Enclosure:** UL type (NEMA 4X) standard. Optional explosion-proof and purged versions available. (Purged version for subatmospheric process pressure only.)

**Power Requirements:** 115 VAC, ± 10%, 47-63 Hz; 230 VAC, ± 10%, 47-63 Hz; 150 VA max.

**Calibration Gas Requirements:** Use all calibration gases @ 10 psig, 3 to 6 scfh (0.70 kg/cm<sup>2</sup>, 1.41 to 2.82 L/min.)

O<sub>2</sub> Span Gas: Air or from 1.0% to 100% O<sub>2</sub>, balance N<sub>2</sub>

O<sub>2</sub> Zero Gas: 2% or from 0.1 to 10% O<sub>2</sub>, balance N<sub>2</sub>

### SERIES 2000 CONTROL UNIT



**Display:** Four-line x 20-character vacuum fluorescent. Displays combinations of oxygen, time and date, cell temperature, user-programmable text, thermocouple mV or cell mV. Password protection, programmable pressure compensation and context sensitive help are also provided.

**Analog Output:** Two isolated linear current outputs. Select O<sub>2</sub>, cell temperature, thermocouple mV or cell mV. Each output can be 4-20 mA, 0-20 mA, 20-4 mA or 20-0 mA and is fully scalable. Hold or track during calibration and select degree of damping. Maximum load 1200 ohms.

**Alarms:** Two independent oxygen alarms, each high- or low-selectable. One alarm can be assigned as oxygen, calibrate or verify. Set relays to energize or de-energize on alarm.

**Contact Rating:** 1A, 30V max. noninductive load, AC or DC

**Diagnostics:** Watchdog timer and service alarms. System test for A/D, RAM, EEPROM and keypad. Display line 4 reserved for full-text error and diagnostic messages. Twenty-entry event log.

**Communications:** RS-485 2-way addressable.

### Environment

Ambient Temp.: 14°F to 122°F (-10°C to 50°C)  
Relative Humidity: 10% to 80%, non-condensing

**Enclosure:** Standard weatherproof NEMA 4 (IP 56) wall/panel mount. Optional GP (General Purpose) wall mount, GP 19" rack mount, GP panel mount, or stainless steel weatherproof NEMA 4X (IP 56) wall/panel mount. All are UL Listed for NEC Class I, Division 2 areas. Purged and explosion-proof versions also available.

**Calibration:** Oxygen cell lifetime extender. Calibrate or verify calibration. Store last calibration and verification data. Selectable calibration gas run time and process recovery time. Timed automatic calibration with optional Remote Calibration Unit.

**Power Requirements:** Nominal 95-230 VAC, ±10%, 47-63 Hz; 75 VA max.

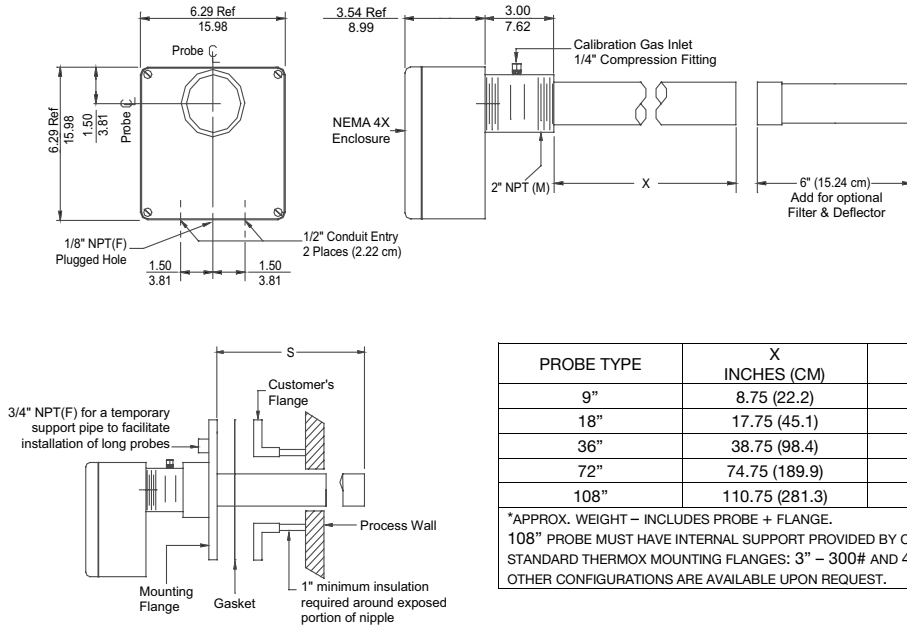
### System Compliance

EMC Directive 89/336/EEC  
Low Voltage Directive 73/23/EEC

# DIMENSIONS

## SENSOR

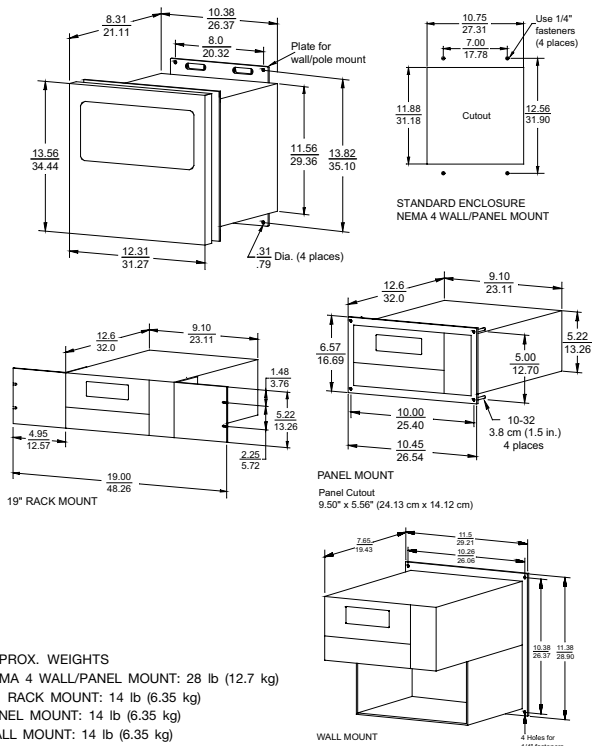
INCHES  
CM



PROBE TYPE	X INCHES (CM)	S INCHES (CM)	WEIGHT* LB (KG)
9"	8.75 (22.2)	7.0 (17.8)	15 (6.8)
18"	17.75 (45.1)	16.0 (40.6)	20 (9.1)
36"	38.75 (98.4)	37.0 (94.0)	25 (11.3)
72"	74.75 (189.9)	73.0 (185.4)	40 (18.1)
108"	110.75 (281.3)	109.0 (276.8)	50 (22.7)

\*APPROX. WEIGHT - INCLUDES PROBE + FLANGE.  
108" PROBE MUST HAVE INTERNAL SUPPORT PROVIDED BY CUSTOMER.  
STANDARD THERMOX MOUNTING FLANGES: 3" - 300# AND 4" - 150#.  
OTHER CONFIGURATIONS ARE AVAILABLE UPON REQUEST.

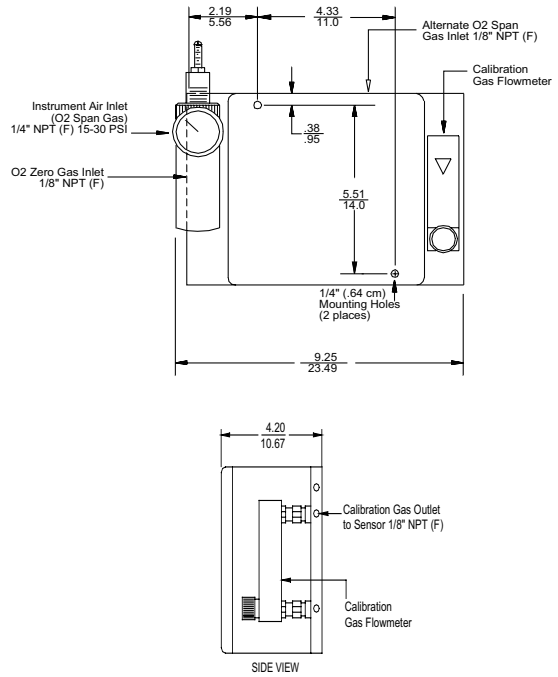
## CONTROL UNIT



APPROX. WEIGHTS  
NEMA 4 WALL/PANEL MOUNT: 28 lb (12.7 kg)  
19" RACK MOUNT: 14 lb (6.35 kg)  
PANEL MOUNT: 14 lb (6.35 kg)  
WALL MOUNT: 14 lb (6.35 kg)

## REMOTE CALIBRATION UNIT

RCU ENCLOSURE NEMA 4X  
APPROX. WEIGHT: 8 LB (3.6 KG)



Notes: 1. All static performance characteristics are with operating variables constant. 2. System accuracy referenced to 0.1 to 10% calibrated range.

One of a family of innovative process analyzer solutions from AMETEK Process Instruments. Specifications subject to change without notice.

**USA - Pennsylvania**  
150 Freeport Road  
Pittsburgh, PA 15238  
Ph. 412-828-9040  
Fax 412-826-0399

**USA - Delaware**  
455 Corporate Blvd.  
Newark, DE 19702  
Ph. 302-456-4400  
Fax 302-456-4444

**AMETEK®**  
PROCESS INSTRUMENTS  
www.thermox.com

© 2003, by AMETEK, Inc. All rights reserved.  
1203PDF (P300)

**SUPPORT LOCATIONS**

**USA - Texas**  
Ph. 281-463-2820  
Fax 281-463-2701

**CHINA - Beijing**  
Ph. 86-10-85262111  
Fax 86-10-85262141

**CHINA - Shanghai**  
Ph. 86 21 6426 7049  
Fax 86 21 6426 7054

**FRANCE**  
Ph. 33 1 30 68 69 20  
Fax 33 1 30 68 69 29

**GERMANY**  
Ph. 49 21 59 91 36 0  
Fax 49 21 59 91 36 80

**MIDDLE EAST - Dubai**  
Ph. 971-4-881 2052  
Fax 971-4-881 2053

**SINGAPORE**  
Ph. 65-6484-2388  
Fax 65-6481-6588

**CANADA**  
2876 Sunridge Way N.E.  
Calgary, AB T1Y 7H9  
Ph. 403-235-8400  
Fax 403-248-3550

**MANUFACTURING LOCATIONS**  
**ISO 9001**  
REGISTERED  
MANAGEMENT SYSTEM

