



Leica DM2500 M

Simply Microscopy!

Blazing New Trails in the Material Sciences

Leica
MICROSYSTEMS

Brilliance
Reliability
Flexibility
Documentation

Simple and Reliable: The Microscope for Material Analysis

Viewing your material examinations in the best light is our top priority. Equally important, is our commitment to always offer you the best quality optics and most efficient microscope systems in the business. You need a materials microscope system designed for rapid, accurate results. Leica microscope systems are designed to decrease your bench time and provide optimized results. The Leica DM2500 M will show you how simple and reliable microscopy can be. The DM2500 M allows you to improve your workflow and concentrate entirely on the task at hand. Microscope operation becomes secondary to your investigations.

- **Brilliance you can afford**
- **Reliability you can count on**
- **Documentation simplified**
- **Flexibility is the key—for all specimens:**
 - Materials analysis
 - Quality assurance





Leica Design by Christophe Apothéloz

Brilliance You Can Afford

Everything the Eye Desires

- **New achromatic objective series**

HI Plan EPI

- Magnifications: 5x, 10x and 20x
- FoV: 20 mm
- Flattened image field
- Large working distances



Large working distance and high resolution at the same time

The Leica name has always represented the highest standards in optical performance. The development of HC (Harmonic Components) optics has set a new benchmark for optical microscope standards. A wide selection of the most varied objectives – all of them tried and tested in research microscopy – also guarantees astounding imaging quality for materials microscopy. The HI Plan EPI objectives are both innovative and cost-effective. They combine brilliance and sharp contrast with first-class resolution and an optimized image field.

What the eye can see – optical delights

Your work demands large working distances with simultaneous high resolution. You will be amazed by the performance of the N PLAN (achromatic) and Plan Fluotar (semi-apochromatic) series of objectives. They deliver unvarying high image sharpness with all contrast methods. Image field sizes, from 20 to 22 and all the way to 25 mm if you prefer, allow you to see exactly what you want to see. Wide image fields reduce the time needed to scan your specimens and determine structures of interest. Images are always high-contrast, pin sharp and full of detail.



N PLAN achromatic objective series

Reliability You Can Count On

...and Convenience is Not a Luxury

Our color coded objectives with CDA, our new feature on the world market with color-coded field and aperture diaphragm adjustment, make the Leica DM2500 M a convenient and reliable microscope for daily use. It can speed up your work processes dramatically. Using a manual microscope has never been easier.

Concentrate on your work, not your microscope

The Leica DM2500 M adds convenience to your investigations that is one-of-a-kind in its class. The CDA makes it easy to determine the proper diaphragm settings, and the built-in focus stop protects both your specimens and the front lens of the objective. For specimens of equivalent height, the focusing plane is easy to relocate. You can concentrate entirely on your application. These features make the new Leica DM2500 M the most advanced and reliable microscope in its class.

Do you need convenience and versatility in the workshop, laboratory or research area?

We know you do! That's why we developed the new Leica DM2500 M with your needs in mind. If you demand a work horse microscope that is a practical tool for routine tasks as well as demanding research, you need a Leica DM2500 M. Accept no compromises when it comes to operation, performance and features. The Leica DM2500 M is sturdy, durable and ergonomically designed for ease of use.

- **New on the world market: Color-coded Diaphragm Assistant (CDA)**
 - Reliable results
 - Easy operation
 - Minimum orientation time
 - No possibility of incorrect operation
- **Built-in focus stop**
 - Protects your specimens and objectives



New on the world market:
Color-coded Diaphragm Assistant



Color-coded objective ring ensures that you
always have the correct diaphragm setting

Flexibility Is the Key

... for All Specimens

- **Flexibility in the stand**

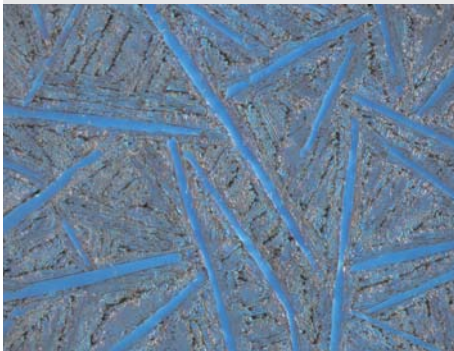
- 2 incident light axes (4x and 5x axis)
- 3 objective turrets
- Optional transmitted light application

- **Flexibility for all specimens**

- Specimen sizes up to 100 x 100 mm
- Specimen heights up to 80 mm
- All microscopic contrast methods available



Cast tin with deformation twins, 200 x



Hypereutectic white pig iron, primary cemented plates, 100 x polarized light, with various Lambda settings

Image source: Ursula Christian, FH Pforzheim, FB Maschinenbau, Pforzheim, Germany

The Leica DM2500 M is a flexible microscope system. With the DM2500 M stand, you can choose between two incident light axes:

1. The 4x incident light axis is optimal for bright field (BF) and dark field (DF) applications or differential interference contrast (DIC), qualitative polarization (POL) or fluorescence (Fluo) applications: the ideal solution for industrial quality control and metallographic examinations.
2. The 5x incident light axis has been specially designed for BF applications and is particularly well suited for use in the pharmaceutical industry, for example, analyzing cell growth on metal surfaces.

Three objective turrets are also available: the BF/DF M32 nose-piece holds up to five objectives; while the (BF/Fluo) can accommodate up to six or seven objectives.

Flexible in every application

Specimens with a size of up to 100 x 100 mm – such as foils, wafers or PCBs – and a thickness of up to 80 mm, such as machined components, can be examined using the comprehensive stage program.

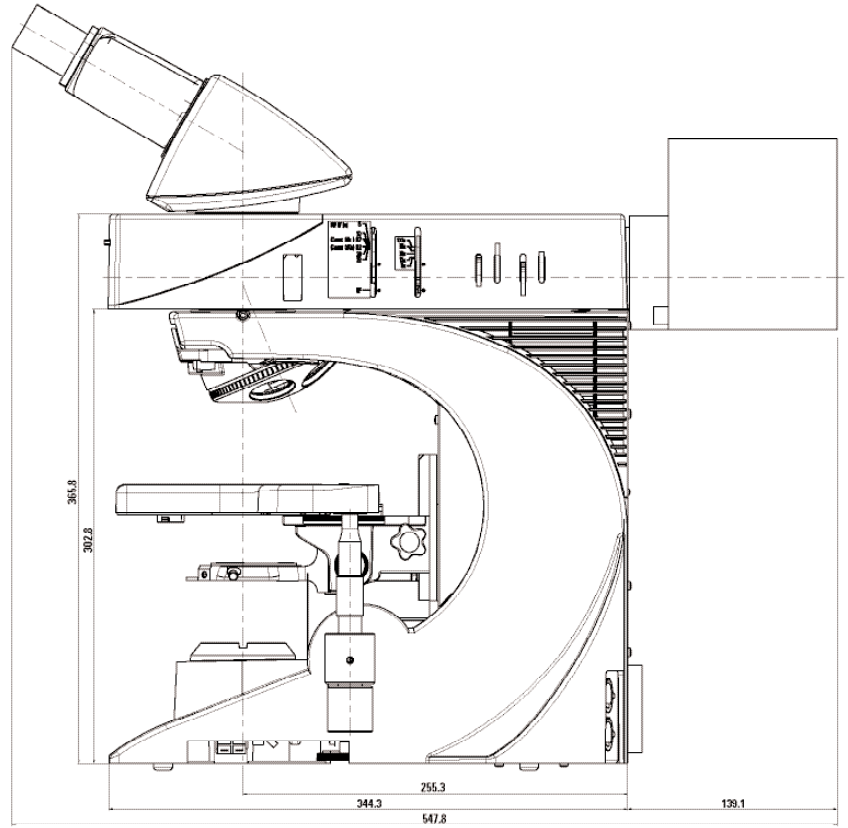
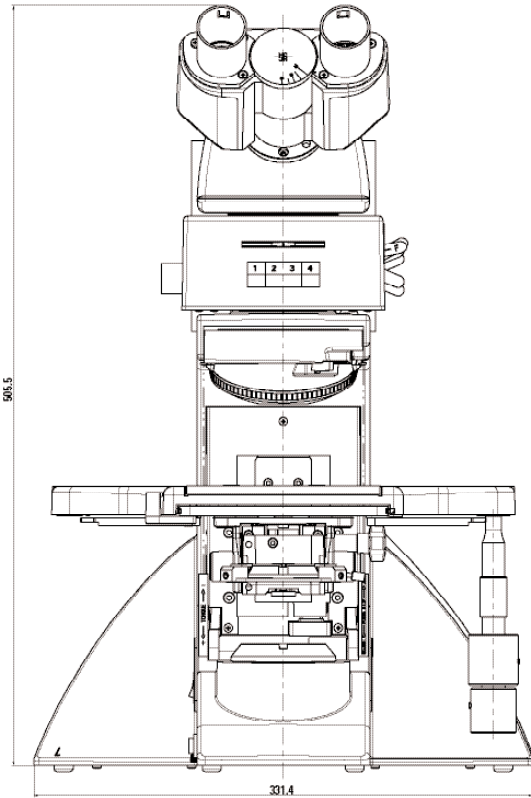
Lasts a lifetime

The surface of our industrial stages incorporates a new ceramic material with a hardness that has never been attained before. It was specially developed for the demands of heavy-duty industrial use over many years, saving you time and money.

Specifications

	Leica DM2500 M
Stand	Sturdy metal stand
Focusing	2-gear focusing (coarse/fine with 1 µm micrometer scale with top focus stop) or 3-gear focusing (coarse) (focus stop), (medium), fine with 1 and 4 µm micrometer scales, Torque coarse focus, adjustable stage height stop
Stage stroke	25 mm
Incident light	<p>Sturdy incident light axis with 4x and 5x reflector turrets</p> <ul style="list-style-type: none"> – 4x reflector turret for BF/DF/POL/DIC and Fluo – 5x reflector turret for BF/POL/DIC and Fluo – Each equipped with the Color-coded Diaphragm Assistant (CDA) <p>The field and aperture iris diaphragms are centerable.</p> <p>Filter magazine with 4 filters – ø 32 mm</p> <p>The following light sources can be adapted to all incident light axes:</p> <ul style="list-style-type: none"> – 12 V 100 W Halogen, Hg 50, Hg 100, Xe 75 – (Lamp housing series 106Z / 106 / 107/2)
Objective turret/objectives	<p>5x BF/DF M32, 6x BF M25 and 7x BF M25 objective turret</p> <ul style="list-style-type: none"> – HI PLAN EPI Objectives 5x, 10x, 20x – N PLAN EPI Objectives 2.5x–100x – PLAN Fluotar Objectives 1.25x–100x
Accessories	<p>Optional magnification changer (1x, 1.5x, 2x)</p> <p>Fixed ergonomic stage (76 x 50 mm), left and right-hand operation or rotating stage (76 x 50 mm) with wear-resistant ceramic surface belong to the standard product line for industrial tasks with stage brackets and condenser holder.</p> <p>Optional measuring stage with display and USB connection (76 x 40 mm)</p>
Transmitted light	<p>12 V 100 W halogen (lamp housing 107/2)</p> <p>Built-in filter magazine</p> <p>3-position filter holder, 2 positions with 2 filters → 32 mm</p> <p>The wide range of condensers rounds out the microscope profile for transmitted light applications.</p>
Power supply	Stabilized universal power supply unit, 90–230 V for 12 V 30 W

Dimensions



Documentation Simplified

Documenting, Saving and Retrieving Images

With our specially optimized digital cameras for materials analysis (such as the Leica DFC280 or DFC320) and image archiving software, you can organize your workflow – preparing specimens, examining them under the microscope and finally documenting the results – in an efficient and convenient manner.

Quick and perfect image archiving and analysis

The Leica QWin image processing and analysis software provides you with high-quality solutions, particularly in environments that require high specimen throughput and automated operation. Thanks to its modular structure, the functionality ranges from simple, interactive to automated photogrammetry, for example, characterizing metal surfaces or particle analysis (QClean).

- **Digital cameras**

- Fast live image preview
- Image resolution from 1.3 to 3.3 megapixels
- Exposure time of 100 μ sec to 30 seconds
- Color depth of up to 36 bits per color channel

- **Image archiving/image analysis**

- From a simple image archiving module to a network solution (Leica Image Management System)
- The routine tool for your materials analysis tasks (Leica Materials Workstation)
- The expert for your materials analysis tasks (Leica QWin)



Leica Microsystems – the brand for outstanding products

Leica Microsystems' mission is to be the world's first-choice provider of innovative solutions to our customers' needs for vision, measurement, lithography and analysis of microstructures.

Leica, the leading brand for microscopes and scientific instruments, developed from five brand names, all with a long tradition: Wild, Leitz, Reichert, Jung and Cambridge Instruments. Yet Leica symbolizes innovation as well as tradition.

Leica Microsystems – an international company with a strong network of customer services

Australia:	Gladesville	Tel. +61 2 9879 9700	Fax +61 2 9817 8358
Austria:	Vienna	Tel. +43 1 486 80 50 0	Fax +43 1 486 80 50 30
Canada:	Richmond Hill/Ontario	Tel. +1 905 762 2000	Fax +1 905 762 8937
Denmark:	Herlev	Tel. +45 4454 0101	Fax +45 4454 0111
France:	Rueil-Malmaison	Tel. +33 1 473 285 85	Fax +33 1 473 285 86
Germany:	Bensheim	Tel. +49 6251 136 0	Fax +49 6251 136 155
Italy:	Milan	Tel. +39 0257 486.1	Fax +39 0257 40 3273
Japan:	Tokyo	Tel. + 81 3 5421 2800	Fax +81 3 5421 2896
Korea:	Seoul	Tel. +82 2 514 65 43	Fax +82 2 514 65 48
Netherlands:	Rijswijk	Tel. +31 70 4132 100	Fax +31 70 4132 109
People's Rep. of China:	Hong Kong	Tel. +852 2564 6699	Fax +852 2564 4163
Portugal:	Lisbon	Tel. +351 21 388 9112	Fax +351 21 385 4668
Singapore		Tel. +65 6779 7823	Fax +65 6773 0628
Spain:	Barcelona	Tel. +34 93 494 95 30	Fax +34 93 494 95 32
Sweden:	Sollentuna	Tel. +46 8 625 45 45	Fax +46 8 625 45 10
Switzerland:	Glattbrugg	Tel. +41 1 809 34 34	Fax +41 1 809 34 44
United Kingdom:	Milton Keynes	Tel. +44 1908 246 246	Fax +44 1908 609 992
USA:	Bannockburn/Illinois	Tel. +1 847 405 0123	Fax +1 847 405 0164

and representatives of Leica Microsystems
in more than 100 countries.

The companies of the Leica Microsystems Group operate internationally in four business segments, where we rank with the market leaders.

● Microscopy Systems

Our expertise in microscopy is the basis for all our solutions for visualization, measurement and analysis of microstructures in life sciences and industry. With confocal laser technology and image analysis systems, we provide three-dimensional viewing facilities and offer new solutions for cytogenetics, pathology and materials sciences.

● Specimen Preparation

We provide comprehensive systems and services for clinical histo- and cytopathology applications, biomedical research and industrial quality assurance. Our product range includes instruments, systems and consumables for tissue infiltration and embedding, microtomes and cryostats as well as automated stainers and coverslippers.

● Medical Equipment

Innovative technologies in our surgical microscopes offer new therapeutic approaches in microsurgery.

● Semiconductor Equipment

Our automated, leading-edge measurement and inspection systems and our E-beam lithography systems make us the first choice supplier for semiconductor manufacturers all over the world.



www.leica-microsystems.com/Microscopes

Leica
MICROSYSTEMS