

AHKC-BS-H

I_p=50A

地址：上海市嘉定区育绿路 253 号
 销售工程师：于明轩
 电话：18721095759
 传真：021-69153966
 网址：www.acrel.cn
 邮箱：2885278109@qq.com
 邮编：201801

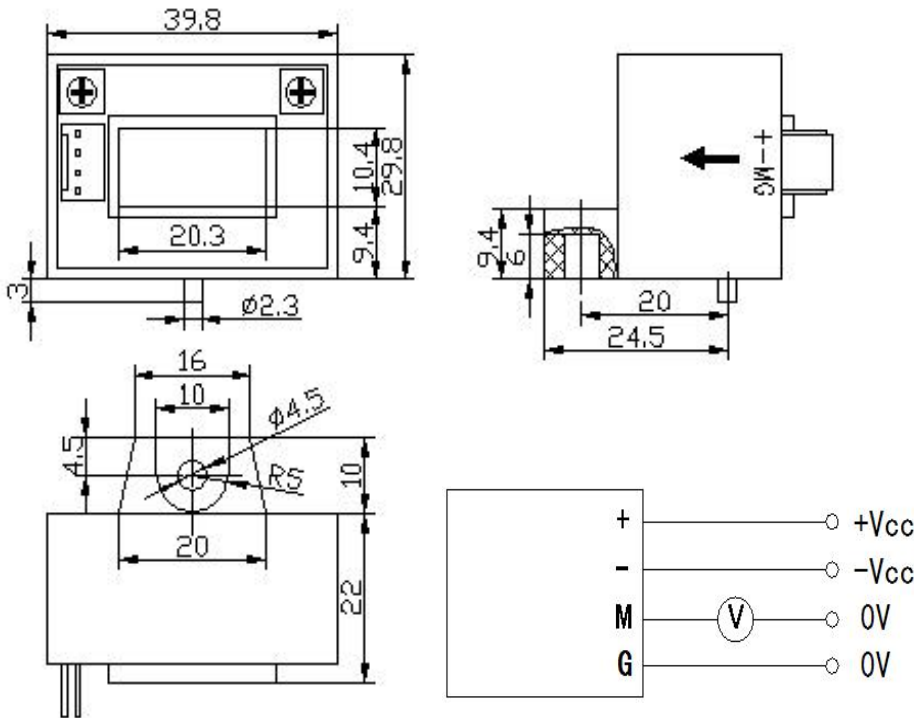
产品特点 Products Features

安装方便
 Easy mounting
 体积小，节省空间
 Small size and space saving
 无插入损耗
 No insertion losses
 抗干扰能力强
 High immunity to external interference

应用领域 Applications

交流变频驱动器
 AC variable speed drives
 直流电机驱动静态转换器
 Static converters for DC motor drives
 通讯电源
 Battery supplied applications
 不间断电源 (UPS)
 Uninterruptible Power Supplies
 开关电源 (SMPS)
 SWITCHED Mode Power Supplies
 电焊机
 Power supplies for welding applications

机械尺寸 Mechanical dimension



机械特性

Mechanical characteristics

一般公差
 General tolerance
 ± 0.5 mm

其它公差执行
 Other tolerance execution
 GB/T 1804-2000-M

固定孔尺寸
 Fixing hole size
 $\phi 4.5$ mm

紧固螺丝
 Fastening steel screw
 M4

建议紧固扭矩
 Recommended fastening torque
 0.75 Nm ($\pm 10\%$)

连接器

Connection of secondary
 HX25405-4A

注意 Remarks

错误的接线可能导致传感器损坏。

The false wiring may result in the damage of the sensor.

I_p方向与产品箭头方向一致时，输出电压为正极。

V_{OUT} is positive when I_p flows in the direction of the arrow.

当初级导体完全充满初级孔径时动态表现 (di/dt和响应时间) 为最佳效果。

Dynamic performances (di/dt and response time) are best with a single bar completely filling the primary hole.

初级导体的温度不应超过100°C。

Temperature of the primary conductor should not exceed 100° C.

电气参数Electrical data AHKC-BS-H

除非另有说明，否则环境参数均为@ $T_A = 25^{\circ}\text{C}$ ， $R_L = 10\text{ k}\Omega$

型号 Type	AHKC-BS-H-50A
额定测量电流 I_P Rated input	$\pm 50\text{A}$
测量范围 I_{PM} Measure range	$\pm 150\text{A}$
额定输出电压 V_{OUT} Rated output voltage	$\pm 4\text{V}$
零点失调电压 V_0 Offset voltage	$\pm 20\text{mV}$
电源电压 V_C Supply voltage	$\pm 12\text{V} \sim \pm 15\text{V}$
负载电阻 R_M Load resistance	$\geq 10\text{K}\Omega$
线性度 ϵ_L Linearity	$\leq 0.5\%FS$
总体精度 X Overall accuracy	$\pm 1\%FS$
零点失调电压温漂 V_{OUT} Offset voltage drift	$\pm 0.5\text{mV}/^{\circ}\text{C}$
幅度电压温度漂移 V_{OUT} Amplitude voltage temperature drift	$\leq 0.1\%/^{\circ}\text{C}$
静态电流消耗 I_C Current consumption	$\leq 20\text{mA}$
响应时间 T_R Response time	$< 7\mu\text{s}$
频带宽度 BW Frequency bandwidth-3db	DC~20kHz
di/dt跟随精度 di/dt accurately followed	$> 50\text{A}/\mu\text{s}$
绝缘耐压 V_D Galvanic isolation	50Hz, 1min, 2.5KV
工作环境温度 T_A Ambient operating temperature	$-20 \sim +85^{\circ}\text{C}$
储存环境温度 T_s Ambient storage temperature	$-25 \sim +90^{\circ}\text{C}$
质量 m Mass	$\approx 60\text{g}$
执行标准 Standards	JB/T 7490-2007

定制Customized

这是一个标准的产品，需要其他规格（测量电流、电源电压、输出电压、连接器、转换比率等）请联系我们。
This is a standard model. For different versions (IP, supply voltages, output voltages, connection of secondary, turns ratios...), please contact us.

联系方式Contact information