

Soft X-ray

SOFT X-RAY SOURCE

L13050

OVERVIEW

The L13050 is a high-stability soft X-ray source assembled with a power supply in a compact module. It can be easily controlled by a PC and so is ideal for research and experiments using soft X-rays.



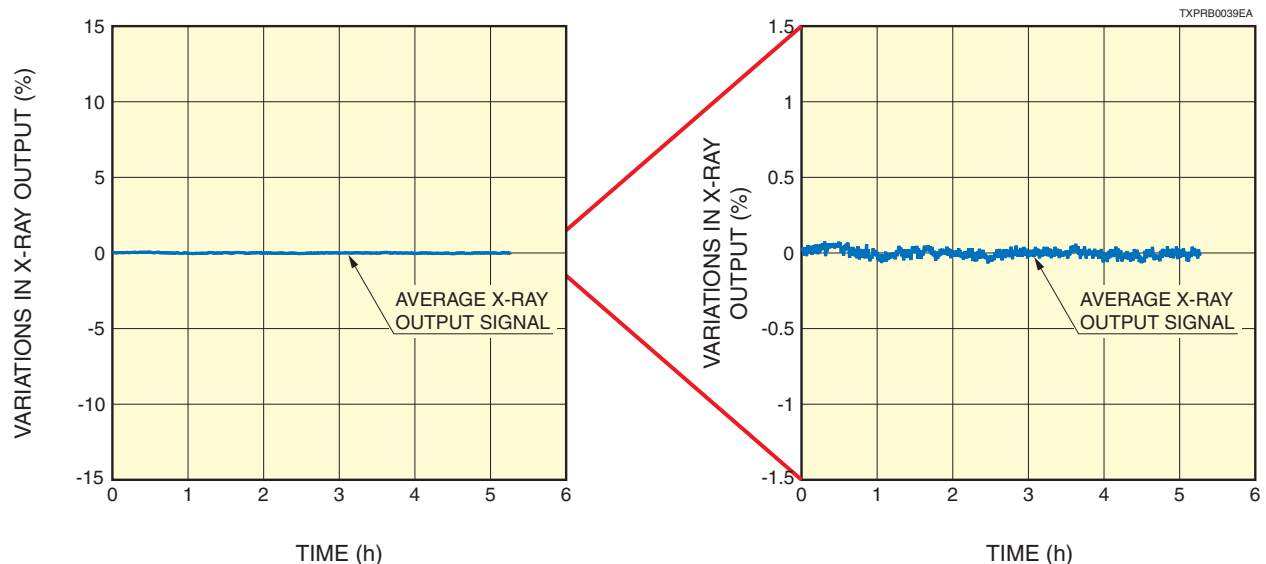
FEATURES

- High stability: X-ray output stability is $\pm 0.5\%$
- Variable tube voltage and tube current
- Compact size
- Easy to use: Can be controlled via RS-232C

APPLICATIONS

- Film thickness measurement
- Low energy non-destructive inspection

X-RAY OUTPUT STABILITY

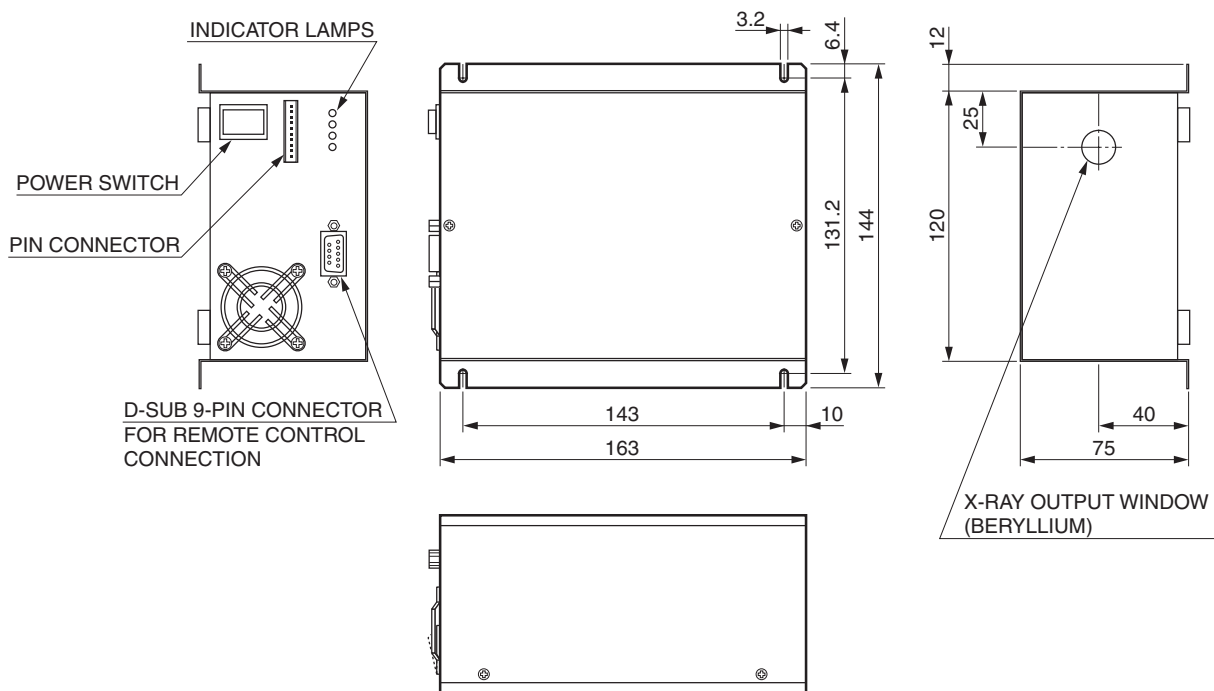


SPECIFICATIONS

Parameter	Description / Value	Unit
Cooling method	Forced air cooling	—
Output window	Beryllium	—
Visible tube voltage range	10 to 15	kV
Visible tube current range	100 to 150	μA
Maximum output	1.5	W
Maximum rated voltage	26.4	V
X-ray irradiation angle	71	degrees
X-ray output stability ^①	±0.5	%
Supply voltage (DC)	24	V
Current consumption	1	A
Remote control	X-ray ON/OFF, life monitor, tube voltage control, tube current control, tube voltage monitor, tube current monitor, I-PRO monitor	—
Weight	1400	g
Operating ambient temperature	+10 to +40	°C
Storage ambient temperature	0 to +60	°C
Operating ambient humidity	Below 60	%
Storage ambient humidity	Below 85	%

NOTE: ①Typical value after 5 hours of operation

DIMENSIONAL OUTLINES (Unit: mm)



TXPRA0043EA

Subject to local technical requirements and regulations, availability of products included in this promotional material may vary. Please consult with our sales office. Information furnished by HAMAMATSU is believed to be reliable. However, no responsibility is assumed for possible inaccuracies or omissions. Specifications are subject to change without notice. No patent rights are granted to any of the circuits described herein. ©2019 Hamamatsu Photonics K.K.

HAMAMATSU PHOTONICS K.K. www.hamamatsu.com

HAMAMATSU PHOTONICS K.K., Electron Tube Division

314-5, Shimokanzo, Iwata City, Shizuoka Pref., 438-0193, Japan, Telephone: (81)539/62-5248, Fax: (81)539/62-2205

U.S.A.: Hamamatsu Corporation: 360 Foothill Road, Bridgewater, NJ 08807, U.S.A., Telephone: (1)908-231-0960, Fax: (1)908-231-1218 E-mail: usa@hamamatsu.com

Germany: Hamamatsu Photonics Deutschland GmbH.: Arzbergerstr. 10, D-82211 Herrsching am Ammersee, Germany, Telephone: (49)8152-375-0, Fax: (49)8152-265-8 E-mail: info@hamamatsu.de

France: Hamamatsu Photonics France S.A.R.L.: 19, Rue du Saule Trapu, Parc du Moulin de Massy, 91882 Massy Cedex, France, Telephone: (33)1 69 53 71 00, Fax: (33)1 69 53 71 10 E-mail: infos@hamamatsu.fr

United Kingdom: Hamamatsu Photonics UK Limited: 2 Howard Court, 10 Tewin Road, Welwyn Garden City, Hertfordshire AL7 1BW, UK, Telephone: (44)1707-294888, Fax: (44)1707-325777 E-mail: info@hamamatsu.co.uk

North Europe: Hamamatsu Photonics Norden AB: Torshammsgatan 35 16440 Kista, Sweden, Telephone: (46)8-509 031 00, Fax: (46)8-509 031 01 E-mail: info@hamamatsu.se

Italy: Hamamatsu Photonics Italia S.r.l.: Strada della Moia, 1 int. 6, 20020 Arese (Milano), Italy, Telephone: (39)02-93 58 17 33, Fax: (39)02-93 58 17 41 E-mail: info@hamamatsu.it

China: Hamamatsu Photonics (China) Co., Ltd.: 1201 Tower B, Jiaming Center, 27 Dongsanhuan Beilu, Chaoyang District, 100020 Beijing, P.R.China, Telephone: (86)10-6586-6006, Fax: (86)10-6586-2866 E-mail: hpc@hamamatsu.com.cn

Taiwan: Hamamatsu Photonics Taiwan Co., Ltd.: 8F-3, No.158, Section2, Gongdao 5th Road, East District, Hsinchu, 300, Taiwan R.O.C. Telephone: (886)3-659-0080, Fax: (886)3-659-0081 E-mail: info@hamamatsu.com.tw

TXPR1033E02
OCT. 2019 IP