

## FM-PZ

- 可安装警报开关。
- 交货期短，价格低廉。
- Alarm switch can be installed.
- Quick delivery and offering at a low price.



Variable area flow meter

### 型式 Type selection

请填写型号栏并按原样传真！我们将接受您的报价和订单。

规格 Std.	液体用 For liquid	阀 Valve	警报 Alarm	流体名 Fluids	流量单位 Units	最大流量 Max. flow	连接口径 Connection size	选择 Option	特殊项目 For specialized item																																																																			
FM-PZ	W																																																																											
<table border="1"> <tr> <td>T1</td> <td>短型 For short type</td> <td>*3</td> </tr> <tr> <td>FKM</td> <td>氟化胶密封件 Viton packing</td> <td></td> </tr> <tr> <td>01</td> <td>Rc 1/4"</td> <td>25</td> </tr> <tr> <td>02</td> <td>Rc 3/8"</td> <td rowspan="2">50</td> </tr> <tr> <td>03</td> <td>Rc 1/2"</td> </tr> <tr> <td colspan="3">Max. 下记测定范围的最大流量记入 Max. flow rate selected from the available flow range below</td> </tr> <tr> <td>A</td> <td>mL/min</td> <td></td> </tr> <tr> <td>B</td> <td>L/min</td> <td></td> </tr> <tr> <td>Z</td> <td>特殊 For specialized unit</td> <td>*1</td> </tr> <tr> <td>1</td> <td>水 Water</td> <td></td> </tr> <tr> <td>9</td> <td>特殊 For specialized fluid</td> <td>*1</td> </tr> <tr> <td>0</td> <td>无开关 With no switch</td> <td></td> </tr> <tr> <td>1</td> <td>触点开关A接点 With reed switch of Contact A</td> <td>*2</td> </tr> <tr> <td>2</td> <td>触点开关B接点 With reed switch of Contact B</td> <td>*2</td> </tr> <tr> <td>A</td> <td>电磁开关NPN输出A接点 Magnetic switch of NPN output contact A</td> <td>*2</td> </tr> <tr> <td>B</td> <td>电磁开关 NPN输出B接点 Magnetic switch of NPN output contact B</td> <td>*2</td> </tr> <tr> <td>C</td> <td>电磁开关PNP输出A接点 Magnetic switch of PNP output contact A</td> <td>*2</td> </tr> <tr> <td>D</td> <td>电磁开关 PNP输出B接点 Magnetic switch of PNP output contact B</td> <td>*2</td> </tr> <tr> <td>9</td> <td>特殊 For specialized alarm</td> <td>*1</td> </tr> <tr> <td>0</td> <td>无针阀 With no needle valve</td> <td></td> </tr> <tr> <td>1</td> <td>下侧附针阀 With needle valve at lower side</td> <td></td> </tr> <tr> <td>2</td> <td>上侧附针阀付 With needle valve at upper side</td> <td></td> </tr> <tr> <td>9</td> <td>特殊 For specialized shape</td> <td>*1</td> </tr> </table>									T1	短型 For short type	*3	FKM	氟化胶密封件 Viton packing		01	Rc 1/4"	25	02	Rc 3/8"	50	03	Rc 1/2"	Max. 下记测定范围的最大流量记入 Max. flow rate selected from the available flow range below			A	mL/min		B	L/min		Z	特殊 For specialized unit	*1	1	水 Water		9	特殊 For specialized fluid	*1	0	无开关 With no switch		1	触点开关A接点 With reed switch of Contact A	*2	2	触点开关B接点 With reed switch of Contact B	*2	A	电磁开关NPN输出A接点 Magnetic switch of NPN output contact A	*2	B	电磁开关 NPN输出B接点 Magnetic switch of NPN output contact B	*2	C	电磁开关PNP输出A接点 Magnetic switch of PNP output contact A	*2	D	电磁开关 PNP输出B接点 Magnetic switch of PNP output contact B	*2	9	特殊 For specialized alarm	*1	0	无针阀 With no needle valve		1	下侧附针阀 With needle valve at lower side		2	上侧附针阀付 With needle valve at upper side		9	特殊 For specialized shape	*1
T1	短型 For short type	*3																																																																										
FKM	氟化胶密封件 Viton packing																																																																											
01	Rc 1/4"	25																																																																										
02	Rc 3/8"	50																																																																										
03	Rc 1/2"																																																																											
Max. 下记测定范围的最大流量记入 Max. flow rate selected from the available flow range below																																																																												
A	mL/min																																																																											
B	L/min																																																																											
Z	特殊 For specialized unit	*1																																																																										
1	水 Water																																																																											
9	特殊 For specialized fluid	*1																																																																										
0	无开关 With no switch																																																																											
1	触点开关A接点 With reed switch of Contact A	*2																																																																										
2	触点开关B接点 With reed switch of Contact B	*2																																																																										
A	电磁开关NPN输出A接点 Magnetic switch of NPN output contact A	*2																																																																										
B	电磁开关 NPN输出B接点 Magnetic switch of NPN output contact B	*2																																																																										
C	电磁开关PNP输出A接点 Magnetic switch of PNP output contact A	*2																																																																										
D	电磁开关 PNP输出B接点 Magnetic switch of PNP output contact B	*2																																																																										
9	特殊 For specialized alarm	*1																																																																										
0	无针阀 With no needle valve																																																																											
1	下侧附针阀 With needle valve at lower side																																																																											
2	上侧附针阀付 With needle valve at upper side																																																																											
9	特殊 For specialized shape	*1																																																																										
<table border="1"> <thead> <tr> <th>规格 Std.</th> <th>测定范围 Measuring range</th> <th>口径 Connection size</th> <th>材质 Material</th> </tr> </thead> <tbody> <tr> <td rowspan="4">25</td> <td>40~500mL/min</td> <td rowspan="4">Rc 1/4"</td> <td rowspan="4">SCS14</td> </tr> <tr> <td>0.1~1L/min</td> </tr> <tr> <td>0.2~2L/min</td> </tr> <tr> <td>1~5L/min</td> </tr> <tr> <td rowspan="6">50</td> <td>0.3~3L/min</td> <td rowspan="6">Rc 3/8", 1/2"</td> <td rowspan="6">SCS14</td> </tr> <tr> <td>0.4~5L/min</td> </tr> <tr> <td>1~10L/min</td> </tr> <tr> <td>1~15L/min</td> </tr> <tr> <td>2~20L/min</td> </tr> <tr> <td>3~30L/min</td> </tr> </tbody> </table>									规格 Std.	测定范围 Measuring range	口径 Connection size	材质 Material	25	40~500mL/min	Rc 1/4"	SCS14	0.1~1L/min	0.2~2L/min	1~5L/min	50	0.3~3L/min	Rc 3/8", 1/2"	SCS14	0.4~5L/min	1~10L/min	1~15L/min	2~20L/min	3~30L/min																																																
规格 Std.	测定范围 Measuring range	口径 Connection size	材质 Material																																																																									
25	40~500mL/min	Rc 1/4"	SCS14																																																																									
	0.1~1L/min																																																																											
	0.2~2L/min																																																																											
	1~5L/min																																																																											
50	0.3~3L/min	Rc 3/8", 1/2"	SCS14																																																																									
	0.4~5L/min																																																																											
	1~10L/min																																																																											
	1~15L/min																																																																											
	2~20L/min																																																																											
	3~30L/min																																																																											

\*1: 特殊项目请在型号末尾按顺序注明。详细信息请咨询我司。

\*2: A接点: 设定值以上闭合  
B接点: 设定值以下闭合

\*3: 仅对应规格 25。

\* 测量范围是以水计在20°C (293K) 条件下的流量。

\* 接点的设定范围, F.S.流量的约20~80%为使用范围。但是, 根据个别的刻度, 长度以及接点方式等, 使用范围将会发生变化。

\* Max. 5L/min的情况下, 提供压力必须为 0.08MPa (G)

该图标为即时交货品, 但仅适用于以下无开关型式。

\*1: FM-PZ25W-101-B□-01

For specialized items specify them at end of Type selection

\*2: order. For details, consult us with your specification.

Contact A: Switch is closed as the float rises past the switch.

\*3: Contact B: Switch is closed as the float falls past the switch.

\* Responding only to Std. 25

Measuring range shown above are ones equivalent to water at 20°C.

Set point for contact range shall be within 20%~80% of F.S. However, it varies depending on a scale and contact method of flowmeter.

For Max. 5 L/min it is required to supply pressure at 0.08MPa(G) or more.

Pictorial mark shows a quick delivery product; however availability is limited to below model number(s) with no switching capability.

FM-PZ25W-101-B□-01

### 规格 Specifications

流量精度 Flow accuracy	±5% of F.S. F.S.±5%
使用最高压力 Max operating pressure	0.8MPa (G)
使用流体温度 Operating fluid temperature ※	Max. 100°C/NBR 80°C
使用环境温度 Ambient operating temperature	0~50°C(无结露 No dewing)

※ 使用FKM O型圈时可用。  
※ Available when using FKM O-rings.

### 触点开关规格 Specifications on reed switch

接点方法 Contact forms ※	A接点 Contact A B接点 Contact B
接点容量 Contact capacity	DC 0~24V Max. 0.2A
导线长度 Cable length	50cm (AWG24)

### 规格尺寸 Standard dimensions

规格 Std.	型 Type	L	L1	L2
25	标准 Standard type	154	130	100
	短型 Short type	139	115	85
50	标准 Standard type	185	150	112

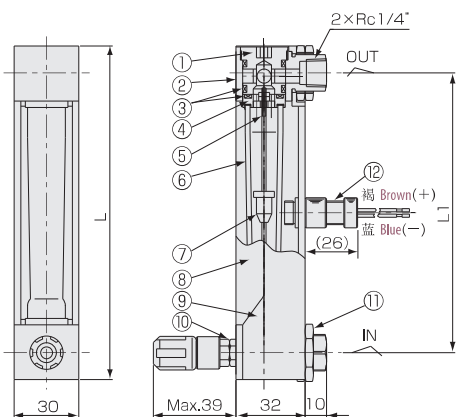
### 电磁开关规格 Specifications on magnetic switch

输出形式 Output form ※	NPN输出-A接点 NPN output contact A NPN输出-B接点 NPN output contact B PNP输出-A接点 PNP output contact A PNP输出-B接点 PNP output contact B
电源电压 Power supply voltage	DC + 12~24V
消费电流 Current consumption	10mA以下 ≤ 10mA
输出 Output	漏极开路 Open drain 耐电压 Withstand voltage Max. 30V 驱动电流 100mA以下 Driving current Less than 100mA
导线长度 Cable length	2m (AWG24)

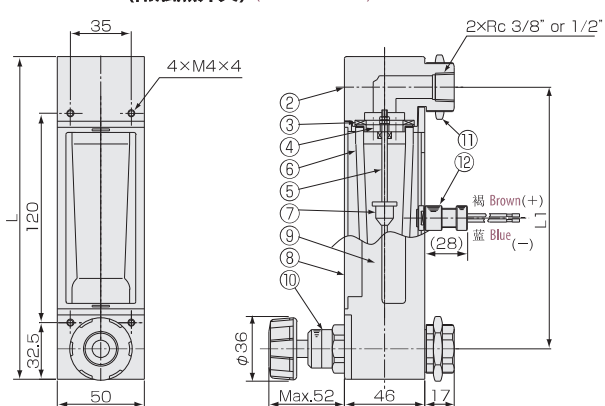
※ A接点：设定值以上闭合 Contact A: Switch is closed as the float rises past the switch.  
B接点：设定值以下闭合 Contact B: Switch is closed as the float falls past the switch.

### 结构图 Structural drawing

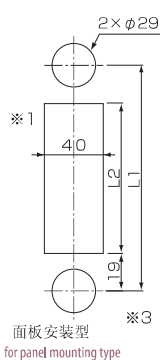
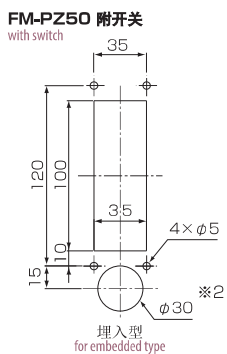
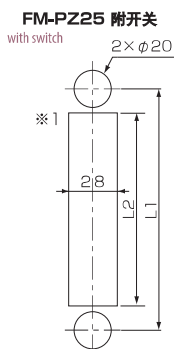
FM-PZ25 (附触点开关) (with reed switch)



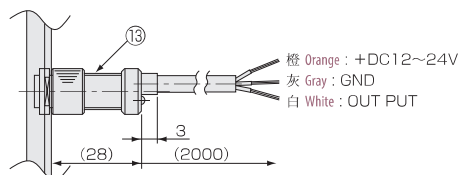
FM-PZ50 (附触点开关) (with reed switch)



### 面板图 Panel cut-out



### 电磁开关 Magnetic switch



※1: 附触点开关的情况下, 不能安装电磁面板。 Flowmeter equipped with reed-switch is uninstallable to magnetic panel  
 ※2: 安装流量计到面板上之前先移除阀把手。 Remove valve handle before installing flow meter on panel.  
 ※3: 面板厚度: 1.2mm以上 Panel thickness: 1.2mm or greater

### 材质 Materials

No.	名称 Names of parts	材质 Material
1	帽盖 Cap	PPS
2	接头 Fittings	SCS14
3	密封件 Packing	NBR
4	闭锁装置 Stoppers	POM/PPS/SUS316
5	导杆 Guiding pole	SUS316
6	锥形管 Tapered tube	耐热玻璃 Heat-resistant glass

No.	名称 Names of parts	材质 Material	备注 Remarks
7	浮子 Float	SUS316/SUS304	电磁密封(附开关) Magnet sealed for switch
8	前面板 Front plate	PA12	
9	主体 Case	ADC12	
10	针阀 Needle valve	SUS316	节流孔 Orifice: PEEK
11	锁紧螺母 Locknut	C3604/Ni-3	
12	触点开关 Reed switch	SUS303 等 SUS303, etc.	AWG24
13	电磁开关 Magnetic switch	POM 等 POM etc.	AWG24