

PN: 9000-1892-93, 9000-1896-97

SYSTEC[®] DST Pump
Vacuum Controlled**Description**

The Dual Stage Pump (DST) is a vacuum control system for use with IDEX degassing chambers and PCB control systems. This specification sheet includes details for both the “analytical” and “prep” versions of the pump. The analytical version is designed for standard degassing chambers and fluids. The prep versions are designed to handle high vapor loads from high flow rate chambers or fluids with low vapor pressure that will cause increased solvent pervaporation through the membrane. The pump is also available in side and bottom mount versions. The part numbers for various product configurations are located on the second page of this specification sheet.

PUMP SPECIFICATIONS

Air Flow (no vacuum): 650 SCCM @ 400 RPM; 100 SCCM @ 60 RPM

Pump-down Time: <1 minute (with 4 MINI degassing channels, 50 cc total internal volume)

Wetted Materials: 303 Stainless Steel, Polypropylene, PTFE, EPDM Rubber

Stepper motor driver – unipolar or bipolar, step angle – 1.8°

Motor winding resistance – 4.4 ohm

Motor max rated current – 1A

Unipolar driver specs: 16 microsteps/step, 680 mA peak current, 15 to 24 VDC, power consumption <5 W with temperature rise <25°C

Expected Lifetime:>5 years (continuous run @ 60 RPM)

ANALYTICAL VACUUM (STANDARD SOLVENT LOAD) PUMP TECHNICAL DATA

Typical Vacuum Performance: 50 mmHg @ (60±20) RPM (3 SCCM air flow, closed loop)

Pump Head Continuous Purge Air Flow Rate: ~12 SCCM

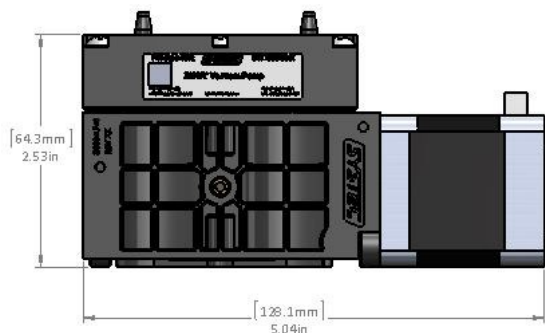
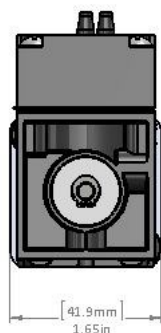
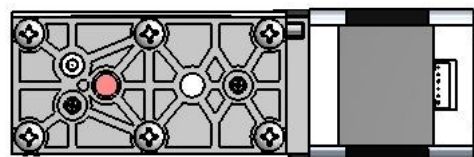
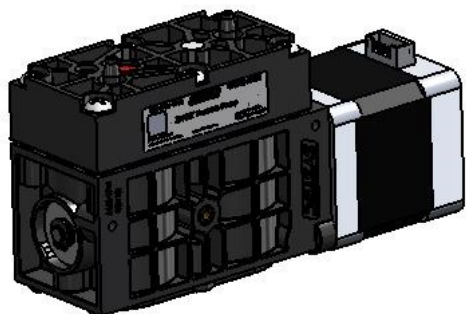
PREP VACUUM (HIGH SOLVENT LOAD) PUMP TECHNICAL DATA

Typical Vacuum Performance: 80 mmHg @ (80±20) RPM (3 SCCM air flow, closed loop)

Pump Head Continuous Purge Air Flow Rate: ~30 SCCM

Dimensional Drawings

Dimensions are in inches and millimeters [mm]



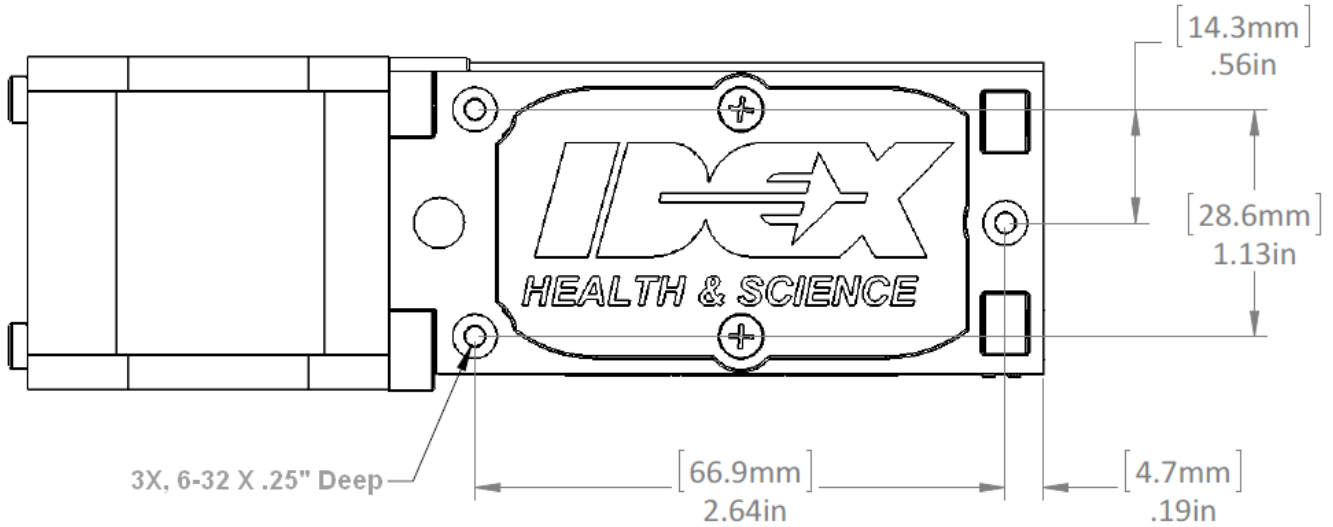
Degassing Vacuum Pump

Part Number	Description	Mounting	Scale
9000-1892	Vacuum Pump Only	Bottom	Analytical
9000-1893	Vacuum Pump Only	Side	Analytical
9000-1896	Vacuum Pump Only	Bottom	Prep
9000-1897	Vacuum Pump Only	Side	Prep

Mounting Dimensions

Dimensions are in inches and millimeters [mm]

Bottom Mount



Side Mount

