



More information on the website
radwag.com/en/info,w1,ZAE

AS 220.R2 PLUS Analytical Balance



The drawings, photos and graphics used are for illustrative purposes only.

Functions



Autotest



Dosing



Percent Weighing



Totalizing



Parts counting



Peak hold



Newton unit measurement



Statistics



Checkweighing



Under-pan weighing



GLP Procedures



Animal weighing



Density determination

Datasheet

Metrological parameters	
Maximum capacity [Max]	220 g
Minimum load	10 mg
Readability [d]	0,1 mg
Verification unit [e]	1 mg
Tare range	-220 g
Standard repeatability [5% Max]	0,07 mg

Metrological parameters	
Standard repeatability [Max]	0,08 mg
Standard minimum weight (USP)	140 mg
Standard minimum weight (U=1%, k=2)	14 mg
Permissible repeatability [5% Max]	0,09 mg
Permissible repeatability [Max]	0,1 mg
Linearity	±0,2 mg
Stabilization time	2 s
Adjustment	internal (automatic)
OIML Class	I
Physical parameters	
Leveling system	manual
Display	LCD (backlit)
Protection class	IP 43
Delivery components	Balance, weighing pan, weighing pan shield, bottom cover, power supply.
Weighing pan dimensions	ø100 mm
Packaging dimensions	495×400×515 mm
Net weight	7,3 kg
Gross weight	9,3 kg
Communication interface	
Communication interface	2×RS232 ¹ , 2×USB-A (interchangeable), USB-B, Wi-Fi (option)
Electrical parameters	
Power supply	Adapter: 100 – 240V AC 50/60Hz 0,6A; 12V DC 1,2A Balance: 12 – 15V DC 0,4A max
Power consumption max.	3 W
Environmental conditions	
Operating temperature	+10 ÷ +40 °C
Relative humidity	40% ÷ 80%

Repeatability is expressed as a standard deviation from 10 weighing cycles. Stabilization time depends on the ambient conditions and the dynamics of weighing pan loading; specified for FAST profile. 1 Barcode scanners, available as weighing instrument accessory, communicate with the instrument via RS232 interface exclusively.

* Wi-Fi® is a registered trademark of Wi-Fi® Alliance.



Extra payment for verification



Accessories

Holders for laboratory flasks
 Power Adapters
 Barcode scanners
 Cigarette lighter receptacle power supply cables
 Density determination KIT
 USB cable (scale - printer)
 Professional weighing table
 Holders for test tubes and filters

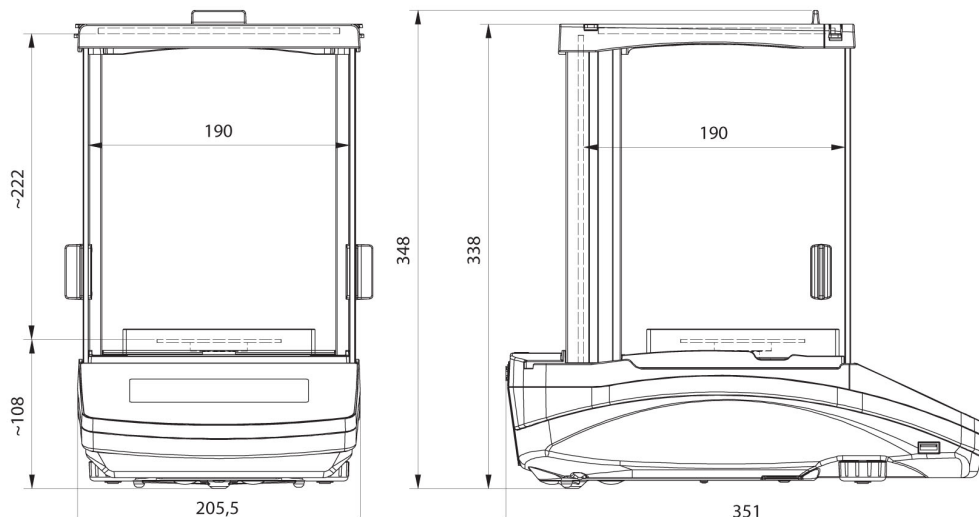
Displays
 Protective cover for balances
 Weighing dishes
 Antistatic ionizer
 Receipt Printer
 THBR 2.0 System - Ambient Conditions Monitoring
 RS 232, RS 485 cables
 Under-pan weighing

Software

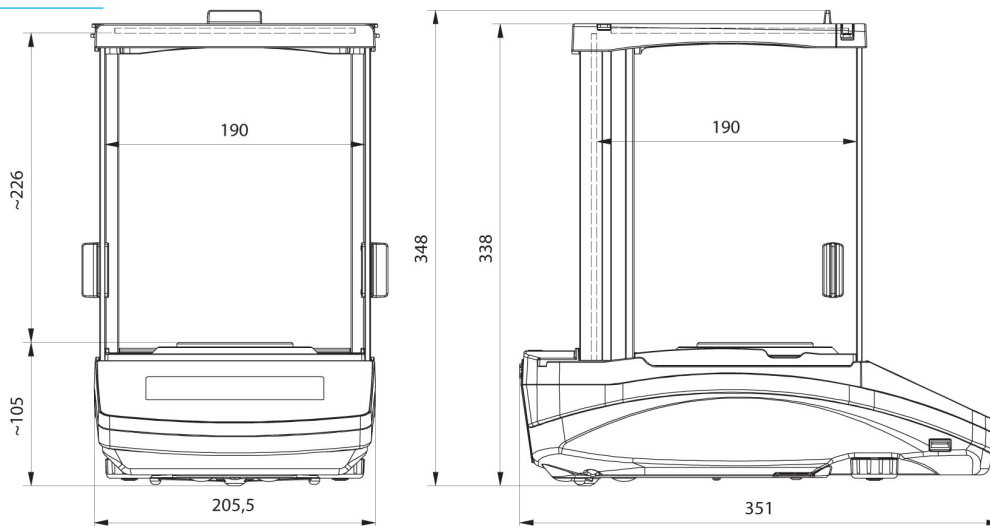
RAD-KEY
R Panel
R-LAB
E2R System

LabVIEW Driver
Alibi Reader
RADWAG Development Studio
R.Barcode

Device dimensions



AS R2, d = 0.01 mg



AS R2, AS R1 d = 0.1 mg