

过氧化氢消毒机

Hydrogen Peroxide Sterilizer



工作原理 Work Principle

SV 系列过氧化氢消毒机采用低浓度过氧化氢雾化结合高频高压电离技术进行空间除菌。过程中过氧化氢生产游离的 OH^\cdot ，对细胞成分进行氧化破坏，从而达到除菌的目的。

SV series Hydrogen peroxide sterilizer applies low concentration hydrogen peroxide fogging combined with high frequency and high pressure ionization technology to carry on room sterilization. Hydrogen peroxide produces free OH^\cdot during the process, which causes oxidative damage to cell components, thus achieving the purpose of eliminating bacteria.

性能特点 Performance Characteristics

1. 运用高频高压电离技术

提高过氧化氢消毒剂有效成分渗透扩散能力，解决微小空间渗透，无死角

2. 全方位喷射

360° 自动水平旋转机头，结合可向上 60° 喷嘴调节，实现全方位喷雾范围

3. 安全低浓度消毒剂

7.5%过氧化氢溶液作为消毒剂，非危险化学品，购买和使用无需公安部门备案

4. 高效的消毒剂

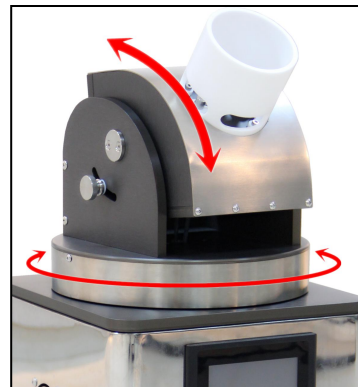
过氧化氢属于高效消毒剂，具有广谱、高效、无毒等特点，除菌能力 6-log

5. 快速连接消毒剂容器

特殊设计的消毒剂容器盖与喷嘴管路一端的快插结构，轻松实现消毒剂的连接

6. 自带内置气泵

经耐腐蚀处理的低噪音高品质内置气泵，无需外接气源



360° 自动旋转+60° 向上调节
360° automatic rotation and 60° upward adjustment

1. Use high frequency and high voltage ionization technology

Improve the permeation and diffusion ability of the effective component of hydrogen peroxide disinfectant, solve the permeation of small space, no dead angle

2. Spray in all direction

360° automatic horizontal rotation of the spray head, combined with 60° upward adjustment of the nozzle, to achieve a full range of spray

3. Safety low concentration disinfectant

7.5% Hydrogen peroxide disinfectant belongs to non-hazardous chemicals, and its purchase and use of no need for the public security department record

4. High effective disinfectant

Hydrogen peroxide is a type of high effective disinfectant, which has the characteristics of broad spectrum, high efficiency, non-toxic, etc., and the antibacterial ability is 6-log

5. Quick connect disinfectant container

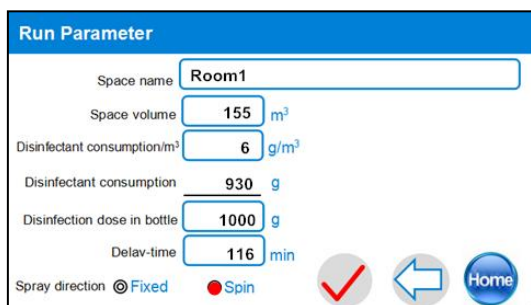
Special design of the disinfectant container cover and one end of the nozzle pipeline fast insertion structure, easy to achieve the connection of disinfectant

6. Built-in air pump

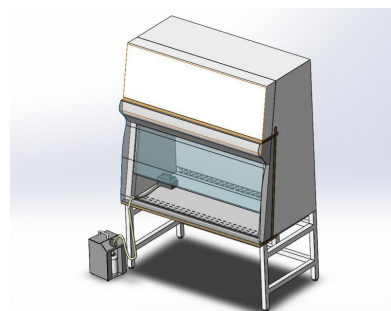
Low noise and high quality internal air pump with corrosion resistance treatment, no external air source is required



超细雾化喷嘴
Ultrafine atomizing nozzle



系统控制界面
System control interface



生物安全柜灭菌
Sterilization for Bio-safety cabinet

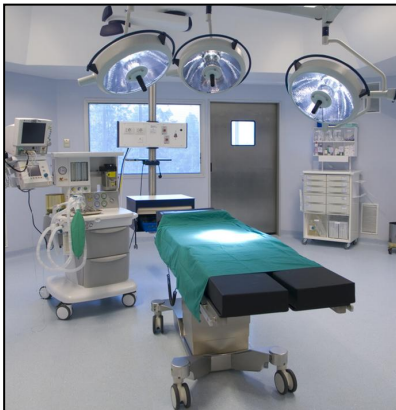


技术参数 Technical Parameter

型号 Type	SV-08	SV-06
消毒剂扩散技术 Disinfectant diffusion technology	高压二流体雾化 High pressure two-fluid atomization	高压二流体雾化 High pressure two-fluid atomization
消毒剂 Disinfectant	7.5%过氧化氢（非管控危险品） 7.5% hydrogen peroxide (uncontrolled dangerous goods)	7.5%过氧化氢（非管控危险品） 7.5% hydrogen peroxide (uncontrolled dangerous goods)
雾粒大小 Fog particle size	<5 μm	<5 μm
喷雾量 Spray rate	0-20ml /min	0-18ml /min
喷雾方向 Spray direction	360° 自动水平旋转，结合仰角 60° 调节 360° automatic rotation and 60° upward adjustment	固定仰角 35° Fixed upward 35°
消毒剂容器 Disinfectant container	1000ml、半透明 PP 材质、带刻度 1000ml, Translucent PP material with scale	1000ml、半透明 PP 材质、带刻度 1000ml, Translucent PP material with scale
电源 Power supply	220V /110V ± 5%, 50/60Hz	220V /110V ± 5%, 50/60Hz
最大功率 Max power	200W	120W
打印机 Printer	嵌入式打印机 Embedded printer	嵌入式打印机 Embedded printer
移动方式 Pushbutton power switch	万向轮 Universal wheel	手提 Portble
箱体材质 Frame material	优质 304 不锈钢 SS304	优质 304 不锈钢 SS304
机头结构材质 Head material	表面硬质氧化铝合金 Hard oxidized aluminum alloy surface	——
外形尺寸 (cm) Dimension	28 × 28 × 75 (W × D × H)	24 × 24 × 39 (W × D × H)
主机重量 N.W.	28Kg	9.5Kg
操作语言 Operation language	简体中文、英文 Chinese \ English	简体中文、英文 Chinese \ English

过氧化氢消毒剂特性 *Characteristics of hydrogen peroxide disinfectant*

- ◆ 具有强氧化性，高效的消毒剂
A type of strong oxidizing and efficient disinfectant
- ◆ 无毒，易分解，消毒灭菌后可快速的分解成 H₂O 和 O₂
Non-toxic, easy to decompose, disinfection and sterilization can be quickly decomposed into H₂O and O₂
- ◆ 物料兼容性好，高浓度过氧化氢会带来一定腐蚀
Good material compatibility, high concentration of hydrogen peroxide will bring some corrosion
- ◆ 浓度高于 8%过氧化氢溶液属于易制爆危险化学品，购买和使用都受公安部门严格备案管控
The concentration of Hydrogen peroxide solution higher than 8% are hazardous chemicals that are prone to explosive production, and their purchase and use are subject to strict record keeping control by public security departments



应用领域 *Application*

- 制药车间 *Pharmaceutical workshop*
- 生物实验室 *Biology laboratory*
- 实验动物房 *Experimental animal room*
- 手术室 *Hospital operating room*
- 病房 *Inpatient ward*
- 急救车辆 *Emergency vehicles*
- 公共场所 *Public places*

