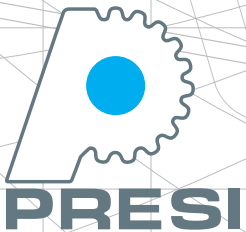
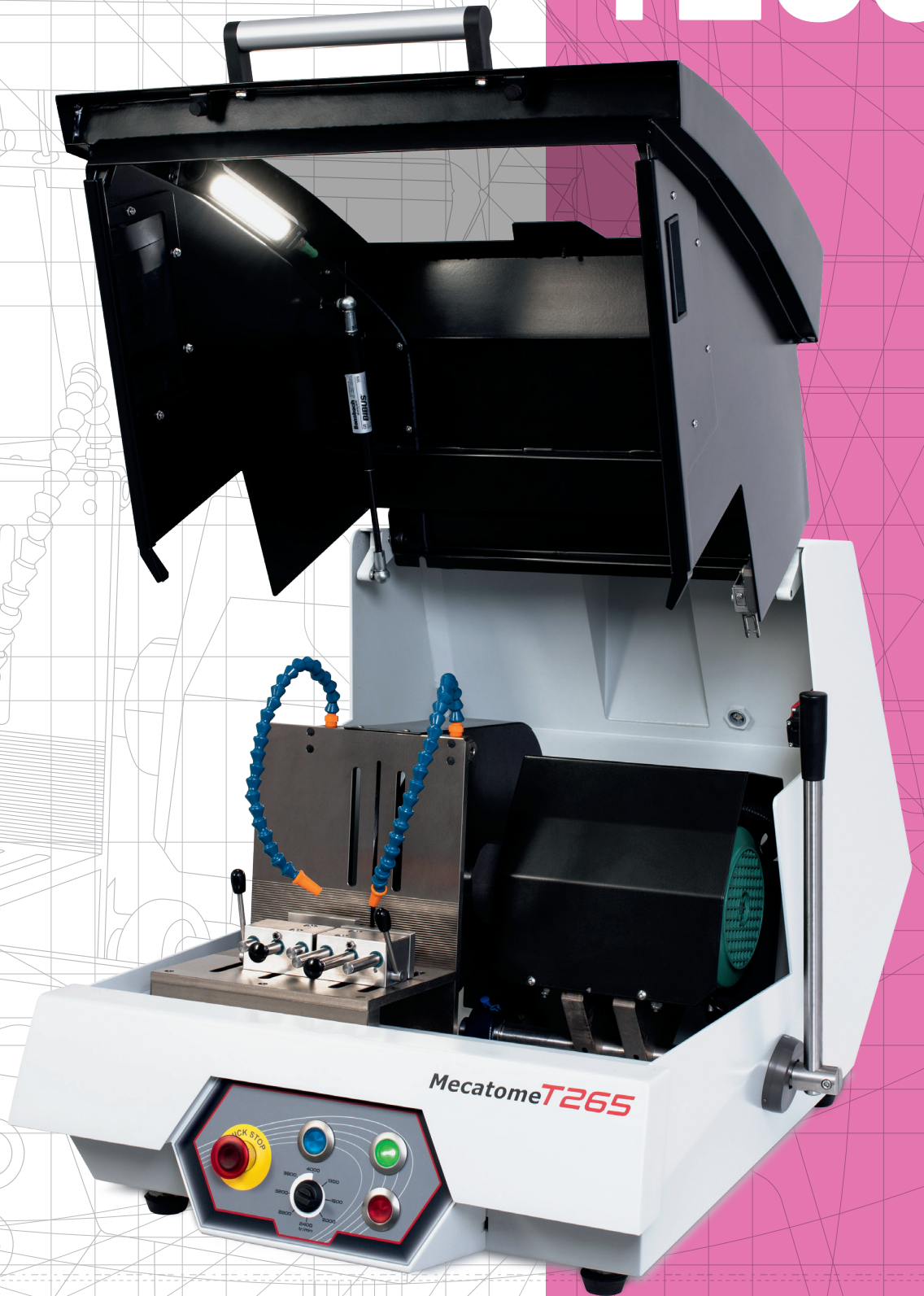


# MECATOME T265



CUTTING

MECATOME T265  
Ref. 51270



# MECATOME T265

## SIMPLE AND ROBUST MANUAL CUTTING MACHINE

Robust, the MECATOME T265 accepts cutting discs of Ø250 & Ø300mm. Its rotation speeds ranged from 1300 to 4000 RPM allow the use of metallic blades as resinoids. Its L-shaped table allows quick clamping of parts either horizontally or vertically.

### Robustness

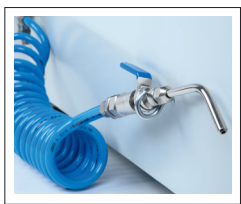
- Mechanically welded steel cover and PETG protective glass
- Stainless steel cutting chamber
- Epoxy paint

### Working comfort

- Blocking of the shaft for wheel change
- Tool-less cut-off wheel change (option)
- Light integrated into the hood
  - Anti-glare
  - Optimal lighting of the working area
- L-shaped clamping table



- Guided evacuation system for residual drops
- Cleaning gun



### Lubrication close to the cut area

- 2 lubrication points

### Stability

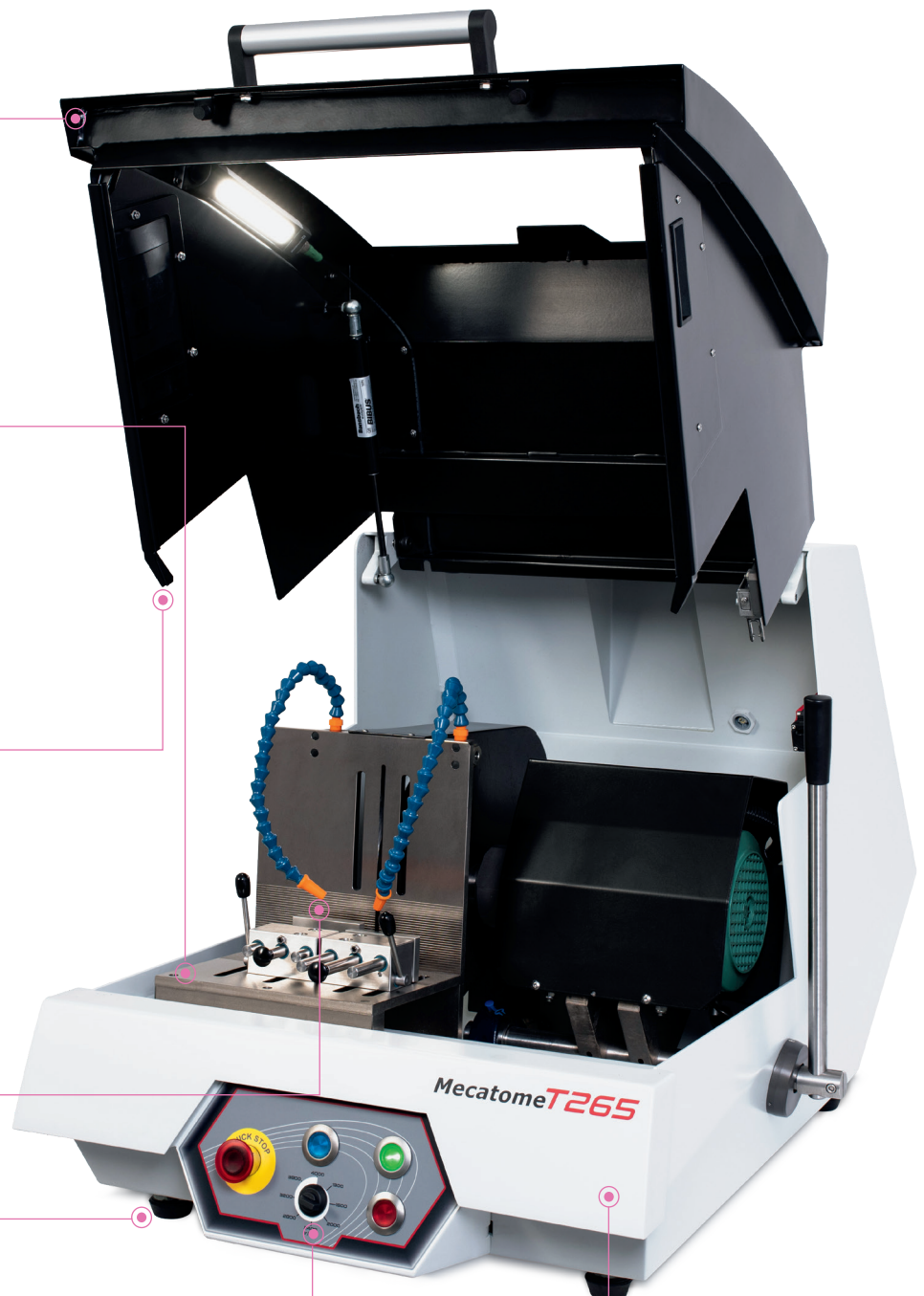
- Adjustable, anti-vibration feet

### Controls & safety

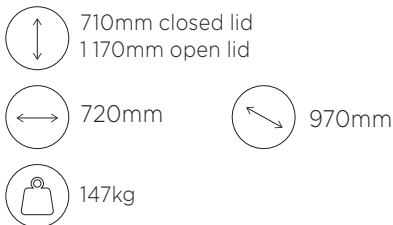
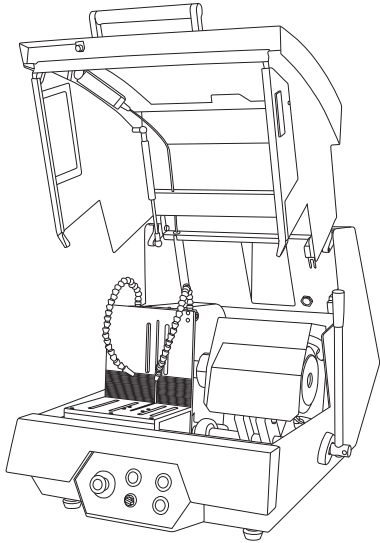
- Control panel
- 8 pre-set rotation speeds
- Braked stopping of the cut-off wheel
- Mechanical locking of the hood during operation
- Zero speed control before unlocking
- Emergency stop button
- CE marking

### 25L recirculating tank

- Double filtration system: mechanical & magnetic (optional)

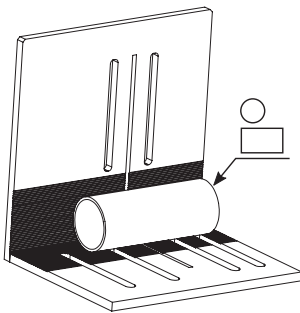


## MECATOME T265



### CUTTING ENVELOPE\*

- = Ø95mm (cut-off wheel Ø300mm)
- = 120 x 60mm  
150 x 25mm



\* This illustration of the cutting envelope is to show the maximum theoretical capacity only. The actual capacity may be increased, depending on sample material, cutting frequency and selected flanges.

## CHARACTERISTICS MECATOME T265

### HOOD

Type	Metal Frame & PETG Stainless steel cutting chamber
Safety	Mechanical locking of the hood during cutting Braked stopping of the cut-off wheel Zero speed check before unlocking the hood
Fumes extraction	Option: mist extraction with fluid recovery

### MOTORISATION - POWER SUPPLY

Nominal power S1	2200W
Nominal power S2	2700W
Nominal power S3	3200W
Motor	Asynchronous motor controlled by frequency inverter
Power supply	400V - Three-phase - 50/60Hz

### CUT-OFF WHEEL

Kind of the cut-off wheel	Resinoid & Metallic
Size of the cut-off wheel	from Ø250 à Ø300mm
Rotation speed	1300, 1600, 2000, 2400, 2800, 3200, 3800 & 4000 RPM
Arbor size	25,4mm

### CONTROL

Control interface	Control Panel
-------------------	---------------

### CUTTING

Operating mode	Manual
Table type	Treated Steel L-shaped table - 240mm wide
Holders	Vices in horizontal or vertical position

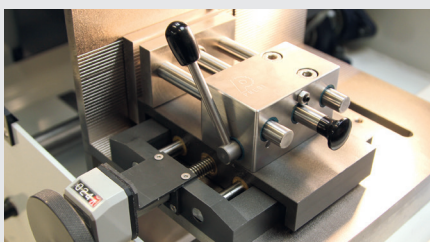
### LUBRICATION - COOLING

Type of lubrication	By pump, flow rate 70L/min
Recirculation tank	External - Capacity 25L
Type of filtration	Washable 100µm cloth filter, optional magnetic filter
Method of directing pumped coolant	2 adjustable lubrication points

### ERGONOMICS

Internal lighting	LED lighting integrated into the hood (IP 68)
Spray nozzle for cleaning	Integrated
Cutting disc change	Shaft lock for wheel change Tool-less cut-off wheel changing system
No-load sound level	< 70 dB

## OPTIONS



### TRANSVERSAL TABLE

Manual movement along the X axis  
Ref. 51212



### QUICK-RELEASE NUT

Tool-less cut-off wheel change  
Ref. 51272



### MAGNETIC FILTER

For 25L tank  
Ref. 51271



### SUCTION & EXTRACTION

Mist extraction with fluid recovery  
Ref. 51273



# ACCESSORIES

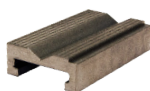
## STAINLESS STEEL VICES & CLAMPING SYSTEM



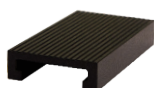
**Left quick clamping vice**  
Ref. 51280  
**Right quick clamping vice**  
Ref. 51281



**Kopal clamp**  
Ref. 50616  
**Kopal kit**  
Ref. 50613



**Stainless steel v-type moving jaw for clamping vice 45mm height**  
Ref. 51282



**Special fragile samples «delrin» thermoplastic moving jaw for clamping vice 45mm height**  
Ref. 51283

## OTHER ACCESSORIES



**Base cabinet for manual cutting machine (small model)**  
Ref. 51275



**Analogical refractometer BRIX 0-10**  
Measure the concentration of the anti-rust coolant  
Ref. 19074

# CONSUMABLES

## RESINOID CUT-OFF WHEELS

	REF.	ABRASIVE	Ø
<b>Ferrous materials</b>			
S	01016	Al <sub>2</sub> O <sub>3</sub>	Ø 250 x 1,6 x 32mm
	01022	Al <sub>2</sub> O <sub>3</sub>	Ø 300 x 2 x 32mm
AO	01014	Al <sub>2</sub> O <sub>3</sub>	Ø 250 x 1,6 x 32mm
	01020	Al <sub>2</sub> O <sub>3</sub>	Ø 300 x 2 x 32mm
A	01015	Al <sub>2</sub> O <sub>3</sub>	Ø 250 x 1,6 x 32mm
	01021	Al <sub>2</sub> O <sub>3</sub>	Ø 300 x 2 x 32mm
AOF II	01012*	Al <sub>2</sub> O <sub>3</sub>	Ø 250 x 0,8 x 32mm
	01013	Al <sub>2</sub> O <sub>3</sub>	Ø 250 x 0,8 x 32mm
	01019	Al <sub>2</sub> O <sub>3</sub>	Ø 300 x 1 x 32mm
<b>Non-ferrous materials</b>			
MNF	01017	SiC	Ø 250 x 1,6 x 32mm
	01023	SiC	Ø 300 x 2 x 32mm
T	01071	SiC	Ø 250 x 1,6 x 32mm
	01072	SiC	Ø 300 x 2 x 32mm
F	01018	SiC	Ø 250 x 1,6 x 32mm
	01024	SiC	Ø 300 x 2 x 32mm

\* Cut-off wheel "S".

## METALLIC CUT-OFF WHEELS

	REF.	Ø
<b>Hard ferrous materials</b>		
CBN	02043	Ø 250 x 1,2 x 32mm
	02047	Ø 300 x 1,2 x 32mm
<b>Ceramic &amp; non-ferrous materials</b>		
DIAMOND LR	02045	Ø 250 x 1,2 x 32mm
	02049	Ø 300 x 1,2 x 32mm
DIAMOND LM	02042	Ø 250 x 1,2 x 32mm
	02046	Ø 300 x 1,4 x 32mm
DIAMOND LM+	02044	Ø 250 x 1,2 x 32mm
	02048	Ø 300 x 1,4 x 32mm
<b>Composit &amp; plastic materials</b>		
DIAMOND ELD	02105	Ø 250 x 1,8 x 25,4mm
	02106	Ø 300 x 1,8 x 25,4mm

## REDUCTION RINGS\*

REF.	DESIGNATION	Ø
<b>Pack of 20</b>		
01089	Reduction ring	32/25,4 mm x 2mm
01092	Reduction ring	32/25,4 mm x 3mm

\* Other diameters on request.

## ANTIRUST COOLANT

REF.	DESIGNATION
01025	1L bottle
01090	5L drum
01026	10L drum

## ANTIFOAM AGENT

REF.	DESIGNATION
01094	1L bottle
01095	5L drum
01096	10L drum

## ANTISEPTIC LIQUID

REF.	DESIGNATION
01093	500CC bottle
01097	1L bottle
01098	5L drum