

**Preliminary**



- Plug & play
- Single-pass & high-efficiency
- Compact & robust

### Reference Specification sheet

| Optics (General)                                     | unit | Specification                           |         |         | Note |
|--|------|---|---------|---------|------|
| Mixer Type   |      | Second Harmonic Generation (SHG)        |         |         |      |
| Mixer Pigtailling Type                               |      | 1x0                                     |         |         |      |
| Input Wavelength                                     | nm   | 1064                                    |         |         |      |
| Output Wavelength                                    | nm   | 532                                     |         |         |      |
| Input Fiber, Connector                               |      | PM980, None                             |         |         |      |
| Output Fiber, Connector                              |      | None                                    |         |         |      |
| Specified pump power                                 | W    | 10                                      |         |         |      |
| Pump condition                                       |      | CW, multimode mode, <0.08nm linewidth   |         |         | [1]  |
| Optics (output)                                      | unit | Minimum                                 | Typical | Maximum | Note |
| Output power @ specified pump                        | W    | 2                                       | 2.2     |         |      |
| Beam quality, M <sup>2</sup>                         |      |   | 1.1     | 1.2     | [2]  |
| Diameter of collimated output beam                   | mm   | 0.9                                     | 1       | 1.1     | [2]  |
| Waist location (from the output window)              | mm   | -300                                    | 0       | 300     | [2]  |
| Output beam (TEM <sub>00</sub> ) ellipticity         | %    |   | 5       | 10      | [2]  |
| Residual IR/output power rejection ratio             | dB   | 40                                      |         |         |      |
| Output polarization state                            |      | linear @ vertical axis                  |         |         |      |
| Output PER   | dB   | 20                                      | 25      |         |      |
| Back reflection of IR wavelength                     | dB   |   | -45     | -42     |      |
| Output beam height                                   | mm   | 18.4                                    | 18.9    | 19.4    |      |
| Output beam angle                                    | mrad | -7.5                                    | 0       | 7.5     |      |
| Mechanics  | unit | Specification                           |         |         | Note |
| Housing dimension (L*W*H)                            | mm   | 150x100x35                              |         |         | [3]  |
| Electrics  | unit | Minimum                                 | Typical | Maximum | Note |
| Electrical connector                                 |      | Hiroschi HR 10G-10P(73)                 |         |         |      |
| Thermoelectric cooler                                |      | 3.2V, 4A maximum, Qc = 6.9 W            |         |         |      |
| NTC Thermistor resistance@25°C                       | kΩ   | 10                                      |         |         |      |
| Thermistor B vale (B25/85)                           | K    | 3478                                    |         |         |      |
| PD response  | V/W  | 0.8                                     | 1       | 1.2     |      |
| PD response linearity                                | %    |   | 2       | 4       | [4]  |
| Environment  | unit | Minimum                                 | Typical | Maximum | Note |
| Storage temperature (no humidity)                    | °C   | -20                                     | -       | 70      |      |
| Operating temperature range                          | °C   | 10                                      | 25      | 35      |      |
| Operating relative humidity (non condensing)         | %RH  | 0                                       | -       | 85      |      |
| Vibration / Shock                                    |      | Refer to ISTA-2A                        |         |         |      |
| Restriction of hazardous substances directive (RoHs) |      | Declaration of Conformity to 2011/65/EG |         |         |      |

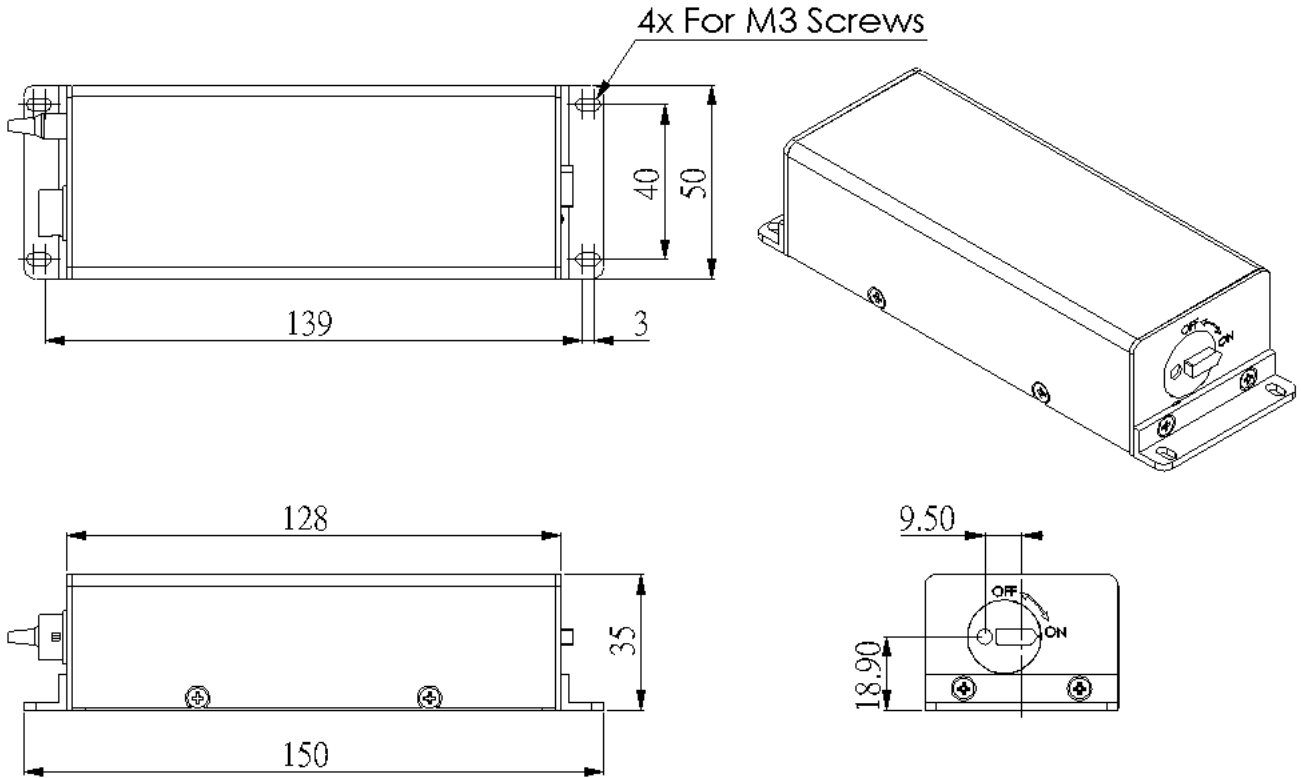
[1] Efficiency will be different for single longitudinal mode pump

[2] Defined at the target output power

[3] Including external heatsink, mixer itself is 150x50x35 mm3

[4] Defined by the range from 20% to full power

*- Mechanical drawing*



Unit: mm