

# Gasmeter™ Portable Calibrator



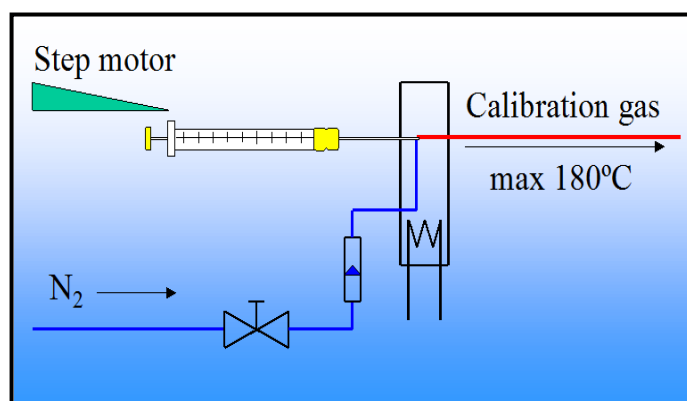
## Gasmeter Portable Calibrator

Gasmeter portable calibrator is one of the most important tools in generating new applications for the Gasmeter FTIR gas analyzer. The calibrator incorporates a syringe pump, a manual needle valve, a mass flow meter, and a stainless steel injection chamber. The syringe pump injects precise amounts of liquid or gas into a hot nitrogen gas flow, thus producing a continuous flow of a known concentration calibration gas.

The injected liquid is vaporized rapidly in the stainless steel injection chamber, which can be heated up to 180 °C, making the calibrator particularly useful when generating high concentration water vapour calibration gas.

By changing the syringe size, the calibrator can be used to produce homogeneous calibration gas from ppm concentrations up to several percentages (saturated gas).

The Gasmeter calibrator is built into a sturdy suitcase. It can be easily transported alongside the Gasmeter FTIR gas analyzer and the Gasmeter portable sampling unit.



**Heated line**

**Length:** One (1) meter  
**Maximum temperature:** 200 °C  
**Tubing:** Replaceable PTFE tubes  
**Tube size:** 4 mm ID

**Mass flow meter:**

**Maximum gas flow:** Five (5) liters per minute  
**Display:** Digital, LCD

**Syringe pump:**

**Liquid flow:** 0.2 µl/h - 400 ml/h  
**Accuracy:** ± 0.5%

**Syringe:**

**Size:** 1 ml and 5 ml gas-tight

**Heated injection chamber:**

**Max temperature:** 180 °C  
**Material:** ss 316

**Temperature controllers (2 pieces)**

**Model:** Cal Controls, CAL 3300

**Enclosure**

**Case:** 500 mm \* 340 mm \* 200 mm  
**Weight:** 12 kg  
**Mechanical bench:** Description below

**Electrical connectors:**

**Power connection:** Standard plug CEE-22  
**Power consumption:** 300 W with one meter heated line

