

Resistance thermometers

WTh 23/24/25



WTh 23

Description **Version**
Compact screw-in resistance thermometer specially for heating, ventilation and air conditioning applications.

Technical specifications **Sensor**
1 x Pt 100
2-, 3- or 4-wire
Class B, IEC 751

Measuring insert
Not replaceable

Thermowell
Ø 6 mm, stainless steel 316 Ti

Process connection
G $\frac{1}{4}$ B stainless steel 316 Ti

Installation length
100 mm

Connection head (degree of protection)
Type J, aluminium die cast (IP 54)

Measuring range
-35/+180 °C

- Options**
- Sensor class A
 - Sensor PT 1,000
 - Transmitter installation
 - Other thermowell diameters
 - Thermowell with bend, measuring tip with spring
 - Neck
 - Other process connections
 - Other installation lengths



WTh 24

Version
Screw-in resistance thermometer for medium pressure and flow loads, specially for mechanical engineering and plant engineering.

Sensor
1 x Pt 100
2-, 3- or 4-wire
Class B, IEC 751

Measuring insert
Replaceable

Thermowell
As per DIN 43772
Ø 9 x 1 mm, stainless steel 316 Ti

Neck
Ø 9 x 1 mm, 25 mm long
Stainless steel 316 Ti

Process connection
G $\frac{1}{2}$ B stainless steel 316 Ti

Installation lengths
100, 160, 250 mm

Connection head (degree of protection)
Type B as per DIN 43729
Aluminium die cast (IP 54)

Measuring range
-35/+180 °C

- Sensor class A
- Sensor PT 1,000
- Transmitter installation (standard: 0/100 °C = 4–20 mA)
- Other installation lengths



WTh 25

Version
Screw-in resistance thermometer for medium pressure and flow loads at higher temperatures.

Sensor
1 x Pt 100
2-, 3- or 4-wire
Class B, IEC 751

Measuring insert
Replaceable, Ø 6 mm

Thermowell
As per DIN 43772
Ø 9 x 1 mm, stainless steel 316 Ti

Neck
Ø 9 x 1 mm, 120 mm long
Stainless steel 316 Ti

Process connection
G $\frac{1}{2}$ B stainless steel 316 Ti

Installation lengths
100, 125, 160, 250, 400 mm

Connection head (degree of protection)
Type B as per DIN 43729
Aluminium die cast (IP 54)

Measuring range
-35/+400 °C

- Sensor class A
- Sensor PT 1,000
- Reduced measuring tip (6 mm)
- Transmitter installation
- EX version
- Other thermowell materials, process connections, installation lengths

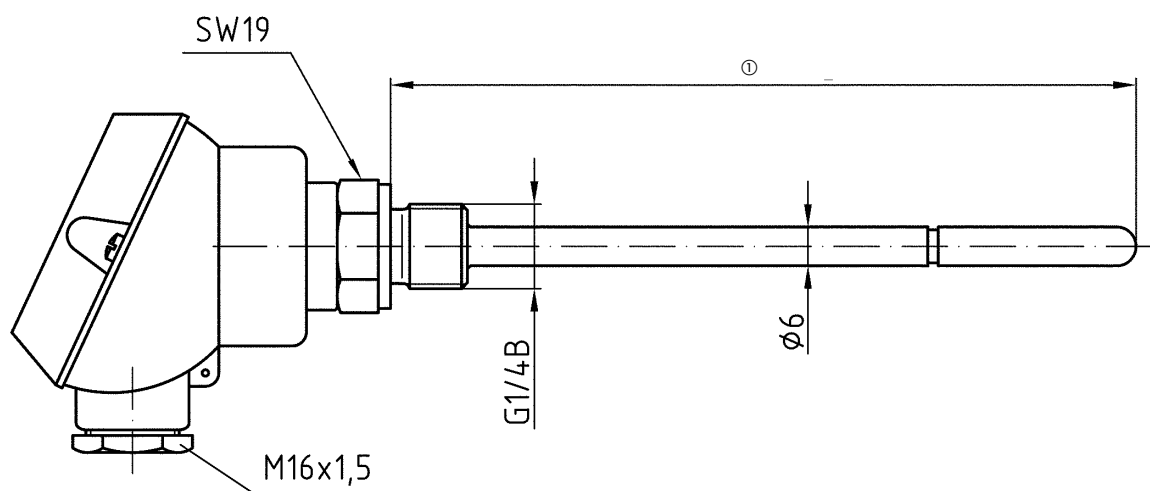
i

See the catalogue DOMESTIC TECHNOLOGY for versions as injection-type and outdoor resistance thermometers for use in air ducts.

热电阻温度计

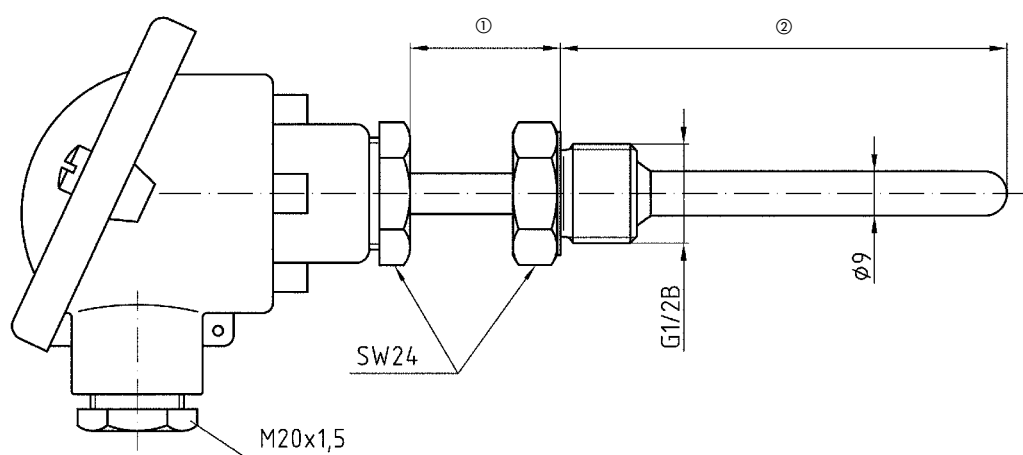
类型尺寸 (mm)

型号 WTh 23



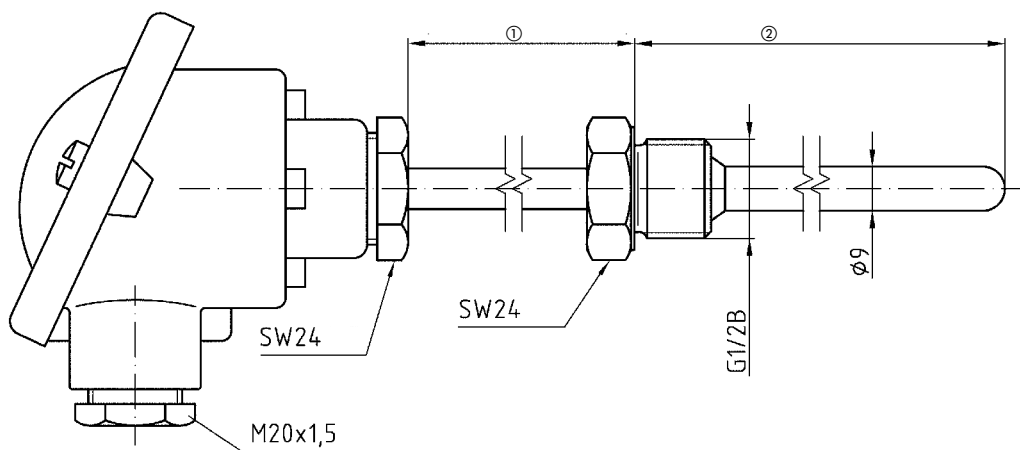
安装长度

型号 WTh 24



管颈长度 (标准 = 25)
安装长度

型号 WTh 25




管颈长度 (标准 = 140)
安装长度

气体膨胀式温度计

选型表

DG: H, PG: 4

型号	WTh 23	WTh 24	WTh 25
结构			
传感器	1 x Pt 100 3线, B级	1 x Pt 100 3线, B级	1 x Pt 100 3线, B级
护套管/探杆直径 材料	6 mm 不锈钢 316 Ti	9 mm 不锈钢 316 Ti	9 mm 不锈钢 316 Ti
管颈	---	25 mm	120 mm
过程连接	G $\frac{1}{2}$ B 不锈钢 316 Ti	G $\frac{1}{2}$ B 不锈钢 316 Ti	G $\frac{1}{2}$ B 不锈钢 316 Ti
接线盒//电气系统连接	型号 J / 电缆夹套	DIN 43729, type B 电缆夹套	DIN 43729, type B 电缆夹套
测量范围固定 (移动)	-35/+180 °C	-35/+180 °C	-35/+400 °C
安装长度	代码	代码	代码
65 mm	---	---	---
100 mm	32225	32210	32240
125 mm	---	---	32241
160 mm	32226	32211	32242
250 mm	32227	32212	32243
400 mm	32228	---	32244
每增加100 mm安装长度**			
安装变送器* *DC 7.5-30 V/4-20 mA			---
1 x Pt 100 4线			
2 x Pt 100 2-线		---	
A类传感器			
传感器末端变径 (Ø 6 mm) for 1 x Pt 100	---	---	
EX 型号 WTh	---	---	---
过程连接设计 BBK		---	---
EX 防爆型 Ex ia**DC 12-36 V/4-20 mA	---	---	---

* 适用于标准测量范围 (-50 / + 50,0 / 50,0 / 100,0 / 120,0 / 150,0 / 200,0 / 300°C), 在所有其他情况下额外收费€11.00。

**适用于最大1000 mm, 安装长度大于1000 mm的一次性额外费用: €62.00。