

Sensors for pH Measurement

Energy

Water



SE 560 pH Sensor

For low-conductivity media or low temperatures, refillable liquid electrolyte

Precise measurements due to self-cleaning junctions with high outflow of electrolyte even for media of very low conductivity. Measurement at low temperatures possible.

Applications

Low-temperature applications, cooling brine, electroplating, low-conductivity media

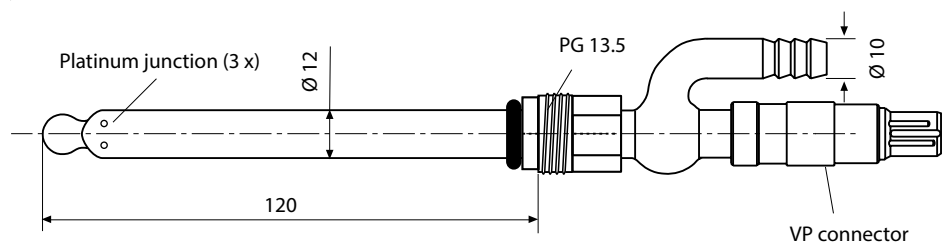
Facts

- Precise measurement under difficult conditions (low conductivity, contaminations)
- Integrated temperature detector
- Measurement at low temperatures
- 3 ceramic junctions
- VP connector
- Alpha glass, medium impedance, universal glass, fluoride resistant

Specifications

pH:	0 ... 14
Temperature:	-20 ... +80 °C
Pressure, relative:	-1 ... +0.5 bar
Temperature detector:	Pt1000
Sensor material:	Alpha glass
Reference system:	Ag/AgCl, liquid electrolyte, refillable
Junction:	Platinum (3 x)
Length:	120 mm
Process adaptation:	PG 13.5
Sensor connector:	VP (VarioPin)

Dimension Drawing



All dimensions in mm

Product Range	Length	Order No.
SE 560 pH sensor	120 mm	SE 560

Accessories	Length	Order No.
VP6-ST cable	3 m	CA/VP6ST-003A
	5 m	CA/VP6ST-005A
	10 m	CA/VP6ST-010A
	20 m	CA/VP6ST-020A

CaliMat Buffer Solutions (20 °C)	Quantity	Order No.
pH value 2.00 ± 0.02	250 ml	CS-P0200/250
	250 ml	CS-P0400/250
		1000 ml
pH value 4.00 ± 0.02	3000 ml	CS-P0400/3000
	250 ml	CS-P0700/250
		1000 ml
pH value 7.00 ± 0.02	3000 ml	CS-P0700/3000
	250 ml	CS-P0900/250
		1000 ml
pH value 9.00 ± 0.02	3000 ml	CS-P0900/3000
	250 ml	CS-P1200/250
		1000 ml
pH value 12.00 ± 0.05	3000 ml	CS-P1200/3000
	250 ml	ZU 0958
	250 ml	ZU 0958
Electrolyte	250 ml	ZU 0958
Electrolyte reservoir		ZU 0321
Equipotential bonding electrode	Platinum; for monitoring the reference system of the pH sensor or for simultaneous ORP measurement	ZU 0073

Sensors for pH Measurement

Energy

Water

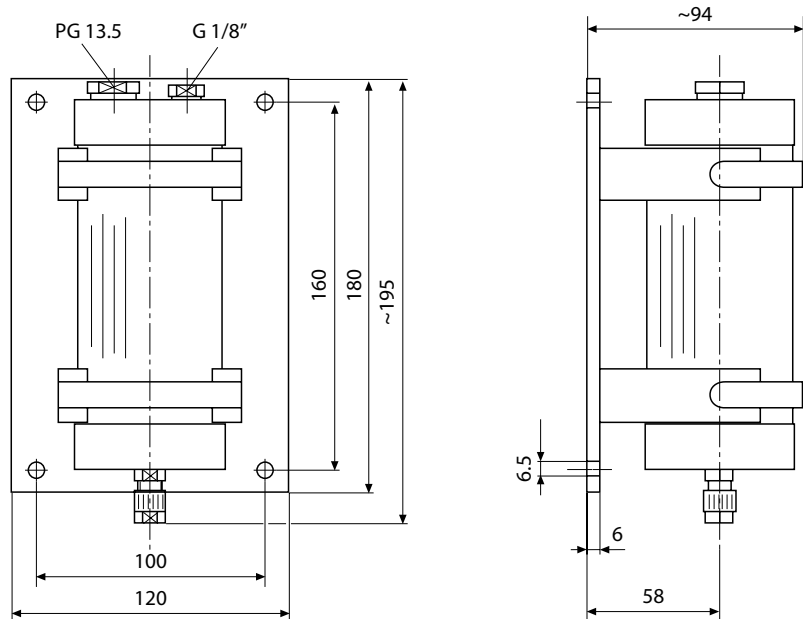
SE 560 pH Sensor

Accessories/Specifications

ZU 0321
electrolyte reservoir

Material:	Hard PVC, transparent
Useful capacity:	300 ml
Pressure:	Unpressurized
Sensor locations:	1 x PG 13.5 for use as electrolytic key
Hose connection:	Coupling for 4/6 x 1 mm hose (5 m hose 4/6 x 1, PVC, and adapter for 10 mm hose clip, included in shipment)
Refill:	G 1/8" hole with screw plug
Assembly:	Wall holder

Dimension Drawing:



All dimensions in mm