



意冷星 制冷科技

整体温控解决方案

Overall temperature control solution

中欧合资企业

Sino-European Joint Venture



优若邻客（天津）自动化科技有限公司

Eurolink (Tianjin) Automation S&T Co.,Ltd

电话/TEL: 022-58011698

地址: 天津市武清区京津科技谷产业园

Address: Jingjin S&T valley Wuqing Tianjin

www.eurolinks.net



Powerful refrigeration High quality assurance

优若邻客（天津）自动化科技有限公司是一家中欧合资企业，致力于工业设备、设施整体温控解决方案的公司，业务涉及高端装备制造、电力、食品、包装、印刷、医疗及实验室等行业，拥有专业的技术团队，主要为客户主机设备提供最佳温控方案以及对原有制冷设备提供维护维修及改造服务，主营产品为工业油冷机、工业水冷机，电气柜空调，主轴循环冷却液，清洗液，所有产品均通过欧盟 CE 认证，产品可出口至世界各地。

我公司目前在全国各地有服务网络，售前可为客户提供专业的技术方案，售中为客户提供质优价廉的温控设备，售后为客户提供持续的设备维修维护及保养服务，为最终整体方案的平稳实施及运行提供终身的保驾护航。

Eurolink (Tianjin)Automation S&T Co.,Ltd. is a Sino-European joint venture, committed to provide overall temperature control solutions for industrial equipment, facilities . Our business involves intelligent equipment manufacturing, power, food, packaging, printing, medical and laboratory and other industries. With a professional technical team, we mainly provide perfect temperature control scheme to client's host equipment and maintenance and renovation services for the original refrigeration equipment. Our main products include: industrial oil cooler, water-cooled machine, electric cabinet, air conditioning, main shaft circulation cooling fluid, cleaning fluid, and refrigeration accessories (compressor, water pump, oil pump, thermostat, filters, flow regulating valve, manifold, Flow switch, liquid level switch, etc, all the products All products have passed the European CE certification and can be exported to all over the world.

At present, our company has a service network all over the country. We can provide customers with professional technical solutions before sales, provide customers with high quality and low price temperature control equipment during sales, and provide customers with continuous equipment repair and maintenance services after sales, providing lifelong escort for the smooth implementation and operation of the final overall plan.



应用范围 Application Range

- 加工中心高速电主轴、水冷式伺服电机
For high speed spindle in machining center, Water-cooled servo motor
- CNC 线切割机床、多线切割机
CNC wire cutting machine, multi-wire sawing machine
- CNC 雕刻机、高速雕铣机
CNC Carving Machine, High speed engraving and milling machine
- CNC 机床力矩电机、直线电机
CNC machine tool torque motor, linear motor
- PCB 钻孔机、铣边机
PCB drilling machine, milling machine
- 服装机械、食品机械、塑料机械、模具、淬火机及焊接设备
Garment machinery, food machinery, plastic machinery, mold, quenching machine and welding equipment
- 半导体制造、光学设备及实验仪器
Semiconductor manufacturing, optical equipment and experimental instruments



欧洲品牌温控器及电气件
可编程 高温控精度
质量稳定可靠



全球知名品牌压缩机
高效 节能 环保



国际知名品牌水泵
高品质 低故障 长寿命

功能及特性 Functions and features

- 采用高压静电喷塑处理，外观高雅别致，经久耐用
Adopt high voltage electrostatic spray treatment, elegant and chic appearance, durable.
- 独特的结构设计，体积小，性能稳定，精巧美观；
Unique structure design, small size, stable performance, exquisite and beautiful;
- 系统元件均采用国内外知名品牌，保证设备优异的品质和良好的安全可靠
System components are adopted well-known brands at home and abroad, to ensure excellent quality and good safety and reliability of equipment;
- 全自动控制温控器，操作简单、直观。设备具有“固定温度”和“室温同调”两种控制方式，用户可根据实际需要任意切换。
Automatic control temperature controller, simple and intuitive operation. The device has two control modes of "fixed temperature" and "room temperature coherence", which can be switched freely, according to actual needs
- 具有故障自动诊断功能，直接将故障点显示在屏幕上，提示用户快速处理。
并可将来故障信号反馈给 CNC 数控系统，对主机设备进行保护，避免造成设备和加工零件损坏
With the function of automatic fault diagnosis, the fault points are directly displayed on the screen, prompting the user to quickly deal with. The fault signal can be fed back to the CNC numerical control system to protect the host equipment and avoid damage to the equipment and processed parts.
- 提供多重保护功能和无源报警端子、远程控制端子，易于实现 CNC 系统的集中控制和监控，并可选配 RS485 通讯功能，有效保证主机设备的安全和延长使用寿命。
Provide multiple protection functions and passive alarm terminals, remote control terminals, easy to achieve CNC system centralized control and monitoring, and can be equipped with RS485 communication function, effectively ensure the safety of the host equipment to extend the service life.

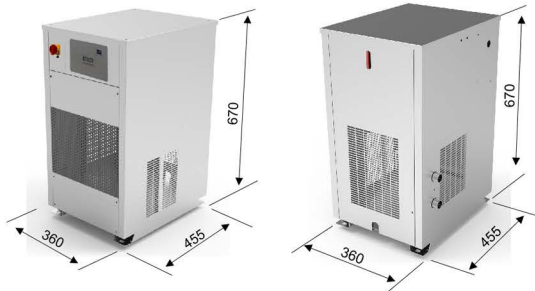


ACW-Industrial Water Chiller 工业水冷机

Model 型号	ACW-015	ACW-025	ACW-035	ACW-050	ACW-070	ACW-100	ACW-120	ACW-175	ACW-210	ACW-300	ACW-420	
Items 项目												
cooling capacity 制冷量 (KW)	1.5	2.5	3.5	5.0	7.0	10.0	12.0	17.5	21.0	30.0	42.0	
Power 最大电功率 (KW)	1.2	1.5	1.7	2.3	3.4	5.5	6.6	8.4	10	14	19	
Power source 电源	□1/220 □3/380 □3/220 50HZ											
Precision 温控精度(°C)	±1.5 (±0.1 Option 可选PID)											
Range of setting 液温设定范围 (°C)	Fixed 定温: 10-30; Variable 差温: ±9											
P: Pump 水泵	Flow rate 流量 (L/min)	16	33	33	33	33	33	50	66	66	135	165
	Lift/Pressure 扬程/压力	30/3	Standard 标准30M/3bar					Option 可选: □50M/5bar □60M/6bar				
T: Tank 水箱	Volum 容积 (L)	15	25	25	25	65	65	65	65	165	165	
	F: Flow switch 流量报警	□	□	□	□	□	□	□	□	□	□	
Optional item 辅助功能可选项 (非标配)	L: Level switch 液位报警	□	□	□	□	□	□	□	□	□	□	
	H: Heater 电加热	□	□	□	□	□	□	□	□	□	□	
	W: Wheel 脚轮	□	□	□	□	□	□	□	□	□	□	
Inlet/Outlet Size 进出口尺寸	G1/2"	G3/4"	G3/4"	G3/4"	G 1"	G 1"	G 1"	G 1"	G 1"	G1-1/2"	G1-1/2"	
Weight 参考重量 (KG)	55	70	70	90	100	120	170	190	200	340	350	
Refrigerant 冷媒类型	R-407C	R-407C	R-407C	R-407C	R-407C	R-407C	R-407C	R-407C	R-407C	R-407C	R-407C	
Shape 设备外形	Dimension 尺寸 (mm)	362*457*669	450*470*990	450*470*990	563*520*1080	665*665*1215	665*665*1215	665*665*1215	750*790*1300	750*790*1300	750*1410*1300	750*1410*1300
	Drawing code 对应图号	AC-015	AC-025	AC-035	AC-050	AC-070	AC-100	AC-120	AC-175	AC-210	AC-300	AC-420

* The cooling capacity is tested under 35°C ambient temperature and 25°C Liquid temperature 制冷量是在环境温度35°C、供水25°C的工况下测定;

AC-010/015



AC-025/035



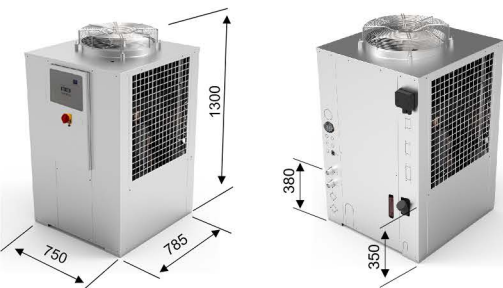
AC-050



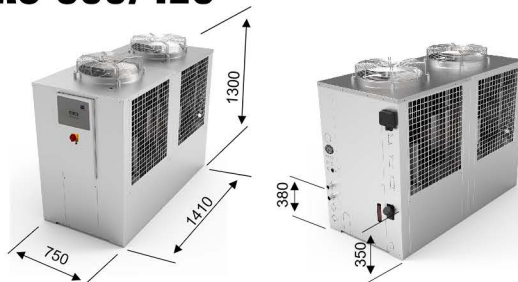
AC-070/100/120



AC-140/175/210



AC-300/420



应用范围 Application Range

- CNC 机床的机械主轴、低速电主轴
CNC machine tool mechanical spindle, low speed motorized spindle
- CNC 机床、油压机及各类机械设备的液压站、润滑站
CNC machine tools, hydraulic press and all kinds of mechanical equipment, hydraulic station, lubrication station
- 放电加工设备的加工液冷却
Cooling the processing fluid of the discharge machining equipment
- CNC 机床力矩电机、直线电机
CNC machine tool torque motor, linear motor
- 减速箱的润滑、冷却系统，如：德国 ZF 减速箱、意大利 BF 减速箱及自制齿轮箱等
Reducer lubrication, cooling system, such as: Germany ZF reducer, Italy BF reducer and homemade gearbox, etc



欧洲品牌温控器及电气件
可编程 高温控精度
质量稳定可靠



全球知名品牌压缩机
高效 节能 环保



国际知名品牌水泵
高品质 低故障 长寿命

功能及特性 Functions and features

- 全自动控制温控器，操作简单、直观。设备具有“固定温度”和“室温同调”两种控制方式，用户可根据实际需要任意切换；
Automatic control temperature controller, simple and intuitive operation. The device has two control modes of "fixed temperature" and "room temperature coherence", which can be switched freely according to actual needs.
- 具有多种保护功能并提供无源报警端子，将故障信号反馈给机床的 CNC 数控系统；
With a variety of protection functions and provide passive alarm terminals, the fault signal feedback to the CNC CNC system of the machine;
- 提供远程启动端口，易于实现主机设备与油冷机的联动控制；
Provide remote start port, easy to realize the linkage control of the host equipment and the oil cooler
- 可选配 RS485 通讯接口，可实现与主机的通讯
Optional RS485 communication interface, can realize the communication with the host;
- 防止 CNC 机床的主轴因油温变化而影响加工精度；
To prevent the spindle of CNC machine tool from affecting the machining accuracy due to oil temperature changes;
- 防止 CNC 机床的主轴中心偏移或热变形，稳定机床精度和延长机床使用寿命；
To prevent CNC machine tool spindle center deviation or thermal deformation, stabilize the accuracy of the machine tool and extend the service life of the machine tool;
- 防止油温过高引起油质恶化，保持油粘度特性，稳定油压，避免油震。
Prevent oil deterioration caused by high oil temperature, maintain oil viscosity characteristics, stabilize oil pressure, avoid oil shock.

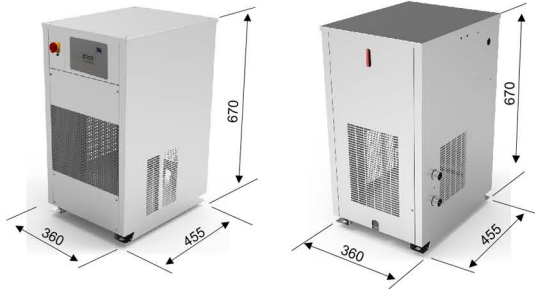


ACO-Industrial Oil Chiller 工业油冷机

Model 型号	ACO-010	ACO-015	ACO-025	ACO-035	ACO-050	ACO-070	ACO-100	ACO-120	ACO-175	ACO-210	ACO-300	ACO-420	
Items 项目													
cooling capacity 制冷量 (KW)	1.0	1.5	2.5	3.5	5.0	7.0	10.0	12.0	17.5	21.0	30.0	42.0	
Power 最大电功率 (KW)	1	1.2	1.5	1.7	2.3	3.4	5.5	6.6	8.4	10	14	19	
Power source 电源:	□3/380 □3/220 50HZ												
Precision 温控精度(°C)	±1.5 (±0.1 Option 可选PID)												
Range of setting 液温设定范围 (°C)	Fixed 定温: 10-30; Variable 差温: ±9												
P:Pump 水泵	Flow rate 流量 (L/min)	5	5	15	15	30	40	50	60	90	90	90	150
	Pressure 压力 (bar)	5	5	10									
T:Tank 水箱	Volum 容积 (L)	15	15	25	25	25	65	65	65	65	165	165	
	F: Flow switch 流量报警	□	□	□	□	□	□	□	□	□	□	□	
Optional item 辅助功能可选项 (非标配)	L: Level switch 液位报警	□	□	□	□	□	□	□	□	□	□	□	
	H: Heater 电加热	□	□	□	□	□	□	□	□	□	□	□	
	W: Wheel 脚轮	□	□	□	□	□	□	□	□	□	□	□	
Inlet/Outlet Size 进出口尺寸	G1/2"	G1/2"	G3/4"	G3/4"	G3/4"	G 1"	G 1"	G 1"	G 1"	G 1"	G1-1/2"	G1-1/2"	
Weight 参考重量 (KG)	50	55	70	70	90	100	120	170	190	200	340	350	
Refrigerant 冷媒类型	R-407C	R-407C	R-407C	R-407C	R-407C	R-407C	R-407C	R-407C	R-407C	R-407C	R-407C	R-407C	
Shape 设备外形	Dimension 尺寸 (mm)	365*446*665	365*446*822	450*470*990	450*470*990	563*520*1080	665*665*1215	665*665*1215	665*665*1215	750*790*1300	750*790*1300	750*1410*1300	750*1410*1300
	Drawing code 对应图号	AC-010	AC-015	AC-025	AC-035	AC-050	AC-070	AC-100	AC-120	AC-175	AC-210	AC-300	AC-420

* The cooling capacity is tested under 35°C ambient temperature and 35°C Liquid temperature 制冷量是在环境温度35°C、油温35°C的工况下测定;

AC-010/015



AC-025/035



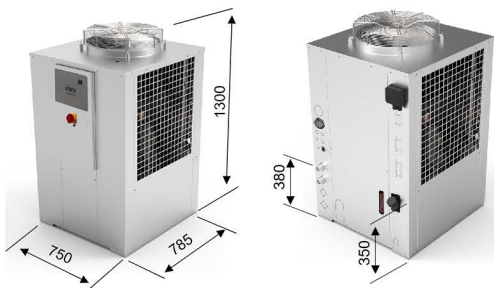
AC-050



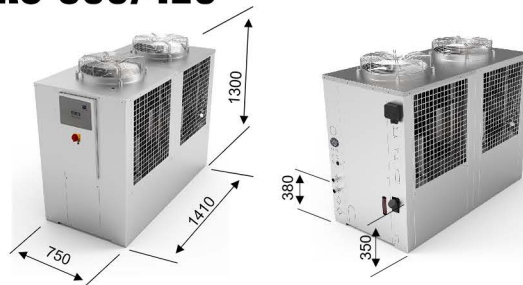
AC-070/100/120



AC-140/175/210



AC-300/420



切削液制冷机

应用范围 Application Range

- CNC 滚齿机、拉齿机、插齿机、磨齿机、珩齿机
CNC hobbing machine, Pulling machine, gear shaper machine, gear grinding machine, honing machine
- CNC 珩磨机、内外圆磨床、曲轴磨床、螺纹磨床、深孔加工机床
CNC honing machine, internal and external cylindrical grinder, crankshaft grinder, thread grinder, deep hole processing machine tools
- CNC 综合切削加工中心
CNC integrated cutting machining center
- CNC 机床力矩电机、直线电机
CNC machine tool torque motor, linear motor
- CNC 车床、铣床、拉床
CNC lathe, milling machine, broaching machine
- 电火花机床、电加工液、机床液压站
EDM machine tool, electric processing fluid, machine tool hydraulic station



欧洲品牌温控器及电气件
可编程 高温控精度
质量稳定可靠



全球知名品牌压缩机
高效 节能 环保



国际知名品牌油泵
高品质 低故障 长寿命

功能及特性 Functions and features

- 具有多种保护功能和无源报警端子，可将故障信号反馈给机床的 CNC 数控系统，给机床及工件加工提供保护；
With a variety of protection functions and passive alarm terminals, the fault signal can be fed back to the CNC system of the machine tool, to provide protection for the machine tool and workpiece processing;
- 提供机远程起动脉口，易于实现机床与油冷机的联动控制
Provide machine remote starting port, easy to realize the linkage control of machine tool and oil cooler
- 可选配 RS485 通讯接口，可实现与主机的通讯功能；
Optional RS485 communication interface, can realize the communication function with the host;
- 全自动控制温控器，操作简单、直观。设备具有“固定温度”和“室温同调”两种控制方式，用户可根据实际需要任意切换。
Automatic control temperature controller, simple and intuitive operation. The device has two control modes of "fixed temperature" and "room temperature coherence", which can be switched freely, according to actual needs
- 蒸发盘管选用镍白铜双重管蒸发器，适用多种液体，耐腐蚀、抗堵塞、高效节能。
The evaporator coil adopts nickel white copper double tube evaporator, suitable for a variety of liquids, corrosion resistance, blockage resistance, high efficiency and energy saving.

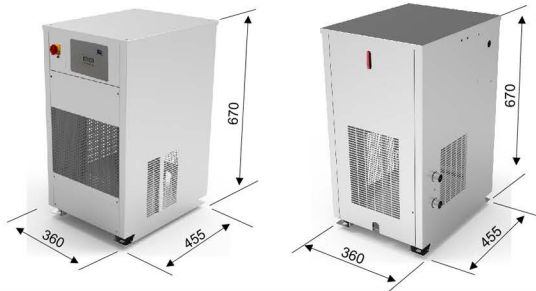


ACC/E-Cutting Fluid Chiller 切削液制冷机

Model 型号		ACC-015	ACC-025	ACC-035	ACC-050	ACC-070	ACC-100	ACC-120	ACC-175	ACC-210	ACC-300	ACC-420
Items 项目												
cooling capacity 制冷量 (KW)		1.5	2.5	3.5	5.0	7.0	10.0	12.0	17.5	21.0	30.0	42.0
Power 最大电功率 (KW)		1.2	1.5	1.7	2.3	3.4	5.5	6.6	8.4	10	14	19
Power source 电源:		□1/220 □3/380 □3/220 50HZ										
Precision 温控精度(°C)		±1.5 (±0.1 Option 可选PID)										
Range of setting 液温设定范围 (°C)		Fixed 定温: 10-30: Variable 差温: ±9										
P:Pump 水泵	Flow rate 流量 (L/min)	5	15	15	30	40	50	60	90	90	90	150
	Lift/Pressure 扬程/压力	5										
T:Tank 水箱	Volum 容积 (L)	16	33	33	33	33	33	50	66	66	135	165
	F: Flow switch 流量报警	标准30/3										
Optional item 辅助功能可选项 (非标配)	L: Level switch 液位报警	□	□	□	□	□	□	□	□	□	□	□
	H: Heater 电加热	□	□	□	□	□	□	□	□	□	□	□
	W: Wheel 脚轮	□	□	□	□	□	□	□	□	□	□	□
Inlet/Outlet Size 进出口尺寸	G1/2"	G3/4"	G3/4"	G3/4"	G 1"	G 1"	G 1"	G 1"	G 1"	G 1"	G1-1/2"	G1-1/2"
Weight 参考重量 (KG)	55	70	70	90	100	120	170	190	200	340	350	
Refrigerant 冷媒类型		R-407C	R-407C	R-407C	R-407C	R-407C	R-407C	R-407C	R-407C	R-407C	R-407C	R-407C
Shape 设备外形	Dimension 尺寸 (mm)	362*457*669	450*470*990	450*470*990	563*520*1080	665*665*1215	665*665*1215	665*665*1215	750*790*1300	750*790*1300	750*1410*1300	750*1410*1300
	Drawing code 对应图号	AC-015	AC-025	AC-035	AC-050	AC-070	AC-100	AC-120	AC-175	AC-210	AC-300	AC-420

* The cooling capacity is tested under 35°C ambient temperature and 25°C Liquid temperature 制冷量是在环境温度35°C、液温25°C的工况下测定;

AC-010/015



AC-025/035



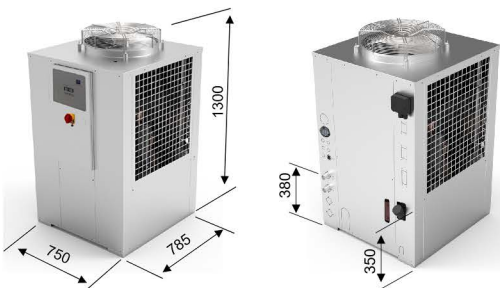
AC-050



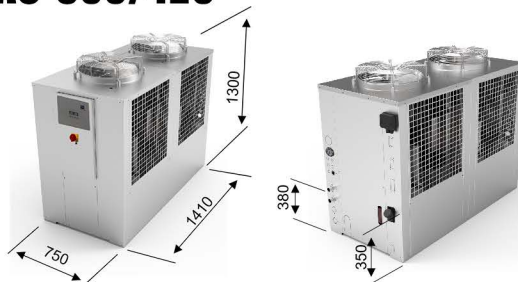
AC-070/100/120



AC-140/175/210



AC-300/420



双温控激光水冷机

应用范围 Application Range

- 适用于各种激光熔覆、焊接、切割等光纤激光器
Suitable for all kinds of laser cladding, welding, cutting and other fiber lasers
- 适用于各种激光打标、3D 打印等光纤激光器
Suitable for all kinds of laser marking, 3D printing and other fiber lasers



欧洲品牌温控器及电气件
可编程 高温控精度
质量稳定可靠



全球知名品牌压缩机
高效 节能 环保



国际知名品牌水泵
高品质 低故障 长寿命

功能及特性 Functions and features

- 采用优质的不锈钢冷水循环泵，流量大、扬程高、噪音低、寿命长；塑料水箱、不锈钢管路、阀件永无生锈之忧；
The use of high quality stainless steel cold water circulating pump, large flow, high head, low noise, long life; Plastic water tank, stainless steel pipeline, valve parts never rust worry;
- 控制系统采用液晶控制器，实时显示冷却水温度，电脑全自动控制，操作简单、直观。水温控制精度 $\pm 1^{\circ}\text{C}$ ；具有故障自动诊断功能，直接将故障点显示在屏幕上，提示用户快速处理；
Control system adopts LCD controller, real-time display of cooling water temperature, computer automatic control, simple operation, intuitive. Accuracy of water temperature control is $\pm 1^{\circ}\text{C}$; With automatic fault diagnosis function, the fault points are directly displayed on the screen, prompting users to quickly deal with;
- 提供 RS485 通讯接口，可实现与主机的通讯功能；
Provide RS485 communication interface, can realize the communication function with the host;
- 提供多重保护功能和无源报警端子、远程控制端口，易于实现 CNC 的集中控制和监控；
Provide multiple protection functions and passive alarm terminals, remote control port, easy to achieve CNC centralized control and monitoring;
- 其中“双温控”水冷却机在为激光器提供稳定、精确的水温控制的同时，又提供一路与环境温度相近的水温用以镜片冷却，解决了镜片在用低温水冷却时结露造成损坏这一问题，是激光设备整机冷却的最佳选择。
The "double temperature control" water cooling machine provides stable and accurate water temperature control for the laser, and at the same time, it also provides a water temperature close to the ambient temperature for lens cooling. It solves the problem that the lens is damaged by condensation when cooling with low temperature water. It is the best choice for the cooling of the whole laser equipment.

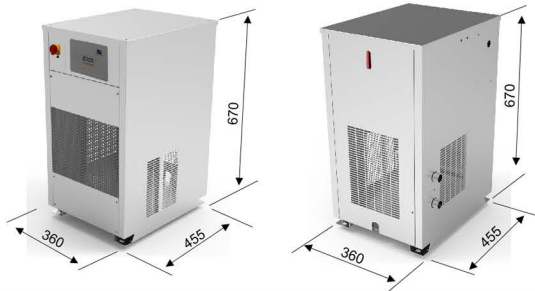


ACL-Dual Temperature Water Chiller For Laser 双温控激光水冷机

Model 型号		ACL-015	ACL-025	ACL-035	ACL-050	ACL-070	ACL-100	ACL-120	ACL-175	ACL-210	ACL-300	ACL-420
cooling capacity 制冷量 (KW)		1.5	2.5	3.5	5.0	7.0	10.0	12.0	17.5	21.0	30.0	42.0
Power 最大电功率 (KW)		1.2	1.5	1.7	2.3	3.4	5.5	6.6	8.4	10	14	19
Power source 电源:		□1/220 □3/380 □3/220 50HZ										
Precision 温控精度(°C)		±1.5 (±0.1 Option 可选PID)										
Range of setting 液温设定范围 (°C)		Fixed 定温: 10-30; Variable 差温: ±9										
P: Pump 水泵	Flow rate 流量 (L/min)	16	16	16	33	33	50	50	66	66	135	165
	Lift/Pressure 扬程/压力	50/5可选: □60/6										
T: Tank	Volum 容积 (L)	15	25	25	25	65	65	65	65	65	165	165
	F: Flow switch 流量报警	15	25	25	25	65	65	65	65	65	165	165
Optional item 辅助功能可选项 (非标配)	L: Level switch 液位报警	—	—	—	—	—	10	10	10	10	10	10
	H: Heater 电加热	■	■	■	■	■	■	■	■	■	■	■
	W: Wheel 脚轮	□	□	□	□	□	□	□	□	□	□	□
	Inlet/Outlet Size 进出口尺寸	□	□	□	□	□	□	□	□	□	□	□
Weight 参考重量 (KG)	□	□	□	□	□	□	□	□	□	□	□	□
Refrigerant 冷媒类型	G1/2" G3/4" G3/4" G3/4" G 1" G 1" G 1" G 1" G 1" G 1" G1-1/2" G1-1/2"											
Shape 设备外形	Dimension 尺寸 (mm)	55	70	70	90	100	100	170	190	200	340	350
	Drawing code 对应图号	362*457*669	450*470*990	450*470*990	563*520*1080	665*665*1215	665*665*1215	665*665*1215	750*790*1300	750*790*1300	750*1410*1300	750*1410*1300
	对应图号	AC-015	AC-025	AC-035	AC-050	AC-070	AC-100	AC-120	AC-175	AC-210	AC-300	AC-420

* The cooling capacity is tested under 35°C ambient temperature and 25°C Liquid temperature 制冷量是在环境温度35°C、供水25°C的工况下测定;

AC-010/015



AC-025/035



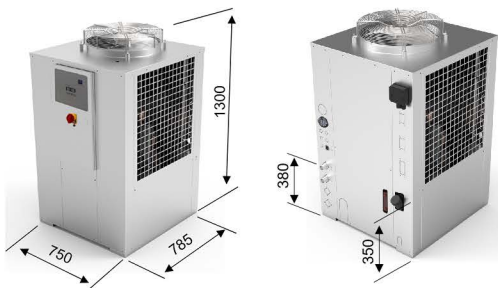
AC-050



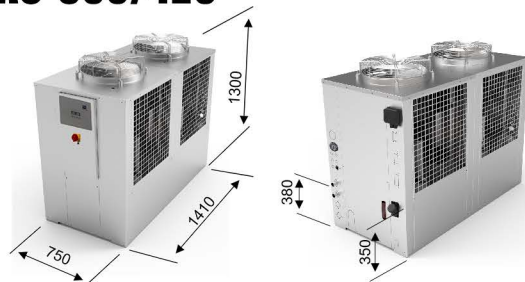
AC-070/100/120



AC-140/175/210



AC-300/420



浸入式制冷机

应用范围 Application Range

- CNC 滚齿机、拉齿机、插齿机、磨齿机、珩齿机
CNC hobbing machine, Pulling machine, gear shaper machine, gear grinding machine, honing machine
- CNC 珩磨机、内外圆磨床、曲轴磨床、螺纹磨床、深孔加工机床
CNC honing machine, internal and external cylindrical grinder, crankshaft grinder, thread grinder, deep hole processing machine tools
- CNC 综合切削加工中心
CNC integrated cutting machining center
- CNC 车床、铣床、拉床
EDM machine tool, electric processing fluid, machine tool hydraulic station
- 电火花机床、电加工液、机床液压站
EDM machine tool, electric processing fluid, machine tool hydraulic station



欧洲品牌温控器及电气件
可编程 高温控精度
质量稳定可靠



全球知名品牌压缩机
高效 节能 环保



304 不锈钢换热器
防锈 防堵 耐腐蚀

功能及特性 Functions and features

- 全自动控制温控器，操作简单、直观。设备具有“固定温度”和“室温同调”两种控制方式，用户可根据实际需要任意切换。
Automatic control temperature controller, simple and intuitive operation. The device has two control modes of "fixed temperature" and "room temperature coherence", which can be switched freely according to actual needs.
- 具有多种保护功能和无源报警端子，可将故障信号反馈给机床的 CNC 数控系统，给机床及工件加工提供保护；
With a variety of protection functions and passive alarm terminals, the fault signal can be fed back to the CNC system of the machine tool, to provide protection for the machine tool and workpiece processing;
- 提供机远程起动端口，易于实现机床与油冷机的联动控制；
Provide machine remote starting port, easy to realize the linkage control of machine tool and oil cooler;
- 可选配 RS485 通讯接口，可实现与主机的通讯功能；
Optional RS485 communication interface, can realize the communication function with the host;
- 钢盘管蒸发器 直接浸入到切削液中，不受切削液中的杂质、油泥、金属粉屑的影响，易于对制冷机的维护保养；
The steel coil evaporator is directly immersed in the cutting fluid, which is not affected by the impurities, oil slime and metal dust in the cutting fluid, and is easy to maintain the refrigerator;
- 蒸发盘管选用 304 不锈钢材质，适用多种液体，耐腐蚀、易清理、高效节能。
Evaporation coil adopts 304 stainless steel material, suitable for a variety of liquids, corrosion resistance, easy cleaning, high efficiency and energy saving;

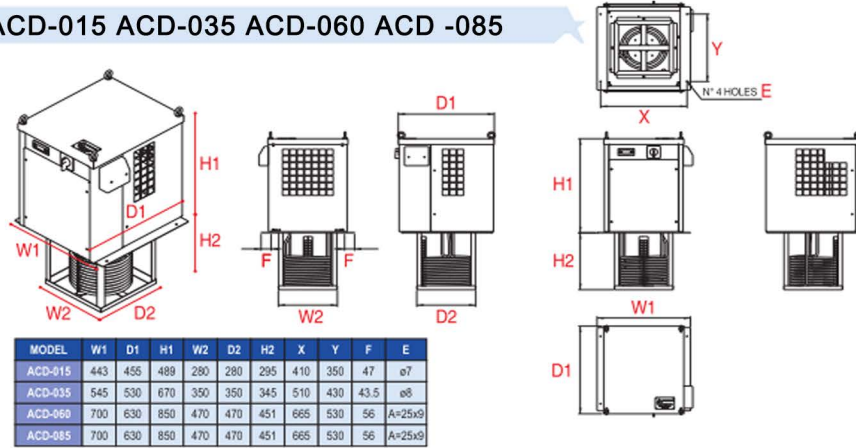


ACD-Drop In Chiller 浸入式制冷机

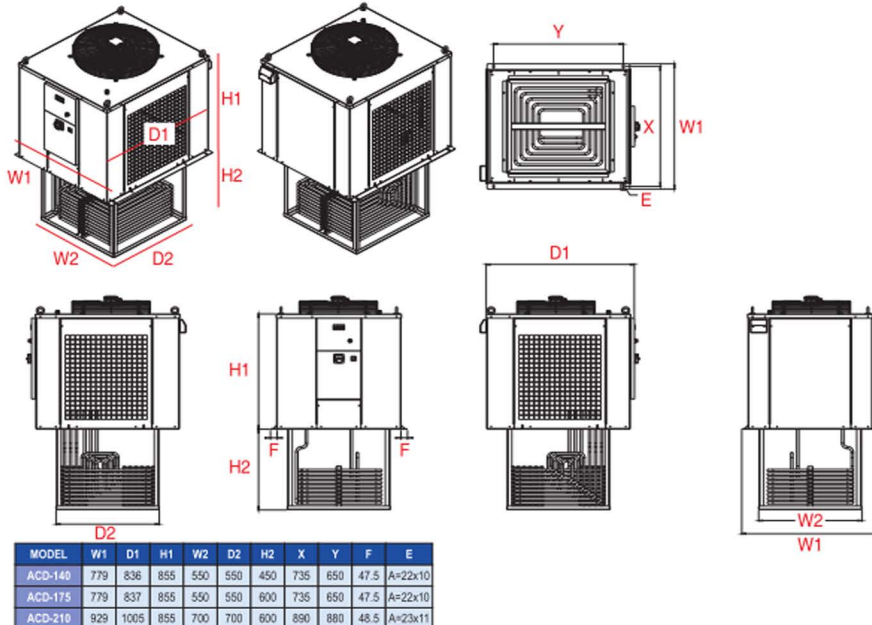
Model 型号		ACD-015	ACD-035	ACD-060	ACD-085	ACD-140	ACD-175	ACD-210
Cooling capacity 额定制冷量	kW	1.5	3.5	6	8.5	14	17.5	21
	kcal/h	1300	3000	5000	7200	12000	15000	18000
Power source 电源:	V,50Hz	AC 220V/1P			AC 380V/3P			
Power 额定功率	kW	1	1.5	2.3	3.4	6.6	8.4	10
Current 额定电流	A	5	7	3.5	5.2	10.0	12.8	15.2
Range of setting 液温设定范围 (°C)	°C	Fixed 定温 : 10-30 : Variable 差温 : ±9						
Ambient temperature 环境温度	°C	10-40						
Oil viscosity 油粘度	cSt	5~68						
Noise 噪音	dB (A)	55	64			70		
Shape dimension 外形尺寸	mm	443*455*784	545*530*1015	700*630*1300	700*630*1300	779*836*1305	779*837*1455	929*1005*1455
Trepanning 液箱开孔尺寸	mm	300*300	400*400	500*500	500*500	600*600	600*600	750*750
Weight 重量	kg	50	60	80	100	160	180	190
Refrigerant 制冷剂	类型Type	R-407C						

* The cooling capacity is tested under 35°C ambient temperature and 25°C Liquid temperature 制冷量是在环境温度35°C、液温25°C的工况下测定;

ACD-015 ACD-035 ACD-060 ACD -085



ACD-140 ACD-175 ACD-210



电柜空调

应用范围 Application Range

- CNC 系统电气控制柜、电源柜
CNC system electrical control cabinet, power cabinet
- 通讯、通信设备
Communication, communication equipment
- CNC 雕刻机、高速雕铣机
CNC Carving Machine, High speed engraving and milling machine
- 程控交换机
SPC exchange (stored program control exchange)
- 各种测量仪器
Various measuring instruments



欧洲品牌温控器及电气件
可编程 高温控精度
质量稳定可靠



全球知名品牌压缩机
高效 节能 环保



国际知名品牌风扇
高效 静音 耐用

功能及特性 Functions and features

- 内外完全独立的密闭式空气循环，防止尘埃、油雾、潮气等进入电气箱内部；
Fully independent inside and outside closed air circulation, prevent dust, oil mist, moisture and other into the electrical box
- 有效的控制电气箱内的温度、湿度，防止电器元件过早老化失效。箱内湿度可控制在 RH40% 左右；
Effectively control the temperature and humidity in the electrical box to prevent premature aging and failure of electrical components. The humidity in the box can be controlled in RH40% or so;
- 控制器操作方便、功能齐全，温度设置可根据实际需要进行调节；
The controller is easy to operate, complete functions, the temperature setting can be adjusted according to the actual need;
- 提供多种保护功能和无源报警端口，将故障信号传输给机床的 CNC 数控系统；
Provide a variety of protection functions and passive alarm port, the fault signal transmission to the CNC system of the machine;
- 可选配加热功能的产品采用先进的 PTC 加热元件，低温环境自动升温，具有良好的自控温特性；
Optional heating function of the product using advanced PTC heating element, low temperature environment automatically heating, with good temperature control characteristics;

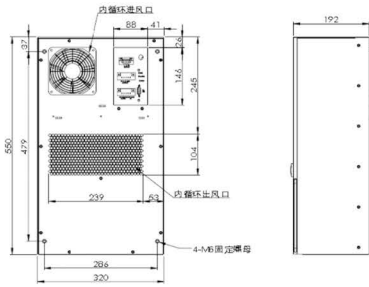


PAC-Panel Air Conditioner 电柜空调

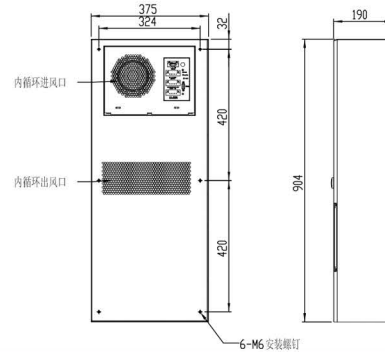
Item 项目	Model 型号	PAC-	0300L	0600L	1000L	1500L	2000L	2500L	3000L
Cooling capacity 额定制冷量 *	W (50Hz)		300	600	1000	1500	2000	2500	3000
Power 额定功率	W (50Hz)		210	298	446	580	810	1120	1250
Power source 电源	-		AC 220V/1P/50Hz			AC 220V/1P/50Hz			
Range of setting 调节范围	°C		20~40			20~40			
Ambient temperature 环境温度	°C		-40~55			-40~55			
Type of install 安装形式	-		壁挂式			壁挂式			
Protection grade 防护等级	-		IP55			IP55			
Shape dimension 外形尺寸	mm		550*320*170	550*320*170	904*375*190	1106*406*220	1106*406*220	945*505*200	1274*487*215
Weight 重量	kg		15	21	38	42	44	45	65
Frame Colour 钣金颜色	-		RAL7035			RAL7035			
Noise 噪音等级	dB (A)		65	65		65			
Refrigerant 制冷剂	类型Type		R-134A			R-134A			

*The cooling capacity is tested under 35°C ambient temperature and 35°C setting temperature 制冷量是在环境温度35°C、柜内温度35°C的情况下测定

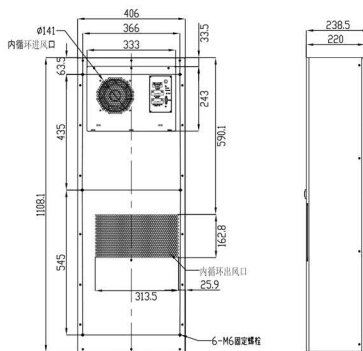
0600L



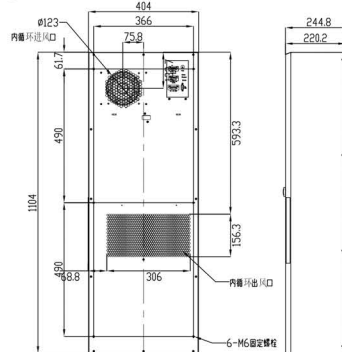
1000L



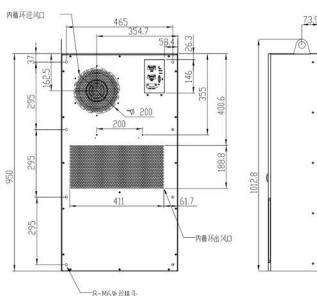
1500L



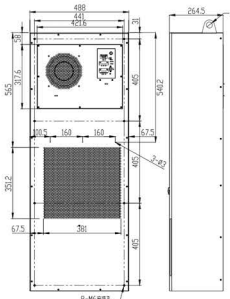
2000L



2500L



3000L



应用范围 Application Range

- CNC 系统电气控制柜
CNC system electrical control cabinet
- CNC 电加工机床电源柜
Power supply cabinet for CNC electric machine tool
- 通讯、通信设备
Communication, communication equipment
- 程控交换机
SPC exchange(stored program control exchange)
- 各种测量仪器
Various measuring instruments

功能及特性 Functions and features

- 内、外空气完全独立的循环方式，有效防止工厂环境空气中的灰尘、油雾、潮气和腐蚀性气体进入电控箱内，减少电气故障；
The internal and external air completely independent circulation mode, effectively prevent the dust, oil mist, moisture and corrosive gas in the ambient air of the factory into the electric control box, reduce electrical failure;
- 热交换器采用最流行的强制对流热传导换热技术，缩短热传递路径，增大风道截面，使换热效率比常规热管式换热器提高 20 ~ 30%。有更高的抗灰尘能力，对恶劣环境有更好的适应性；
Heat exchanger adopts the most popular forced convection heat transfer technology, shorten the heat transfer path, increase the cross section of the air duct, so that the heat transfer efficiency than the conventional heat pipe heat exchanger 20 ~ 30%. It has higher dust resistance and better adaptability to harsh environment.
- 工作温度高于空气露点温度，不会结露，具有很好的环境适应能力；
The working temperature is higher than the air dew point temperature, no condensation, with good environmental adaptability;
- 超薄的外形设计和表面静电喷塑处理，精巧美观。适应多种行业各类机械、电气设备的应用要求；
Ultra-thin shape design and surface electrostatic spray treatment, delicate and beautiful. To meet the application requirements of various types of machinery and electrical equipment in various industries
- 具有外挂式、箱内式两种安装方式供选择。
It has two kinds of installation options: external hanging type and inside box type.



PAE-Panel Air Exchanger 电气箱热交换器

Model 型号		PAE-01	PAE-02	PAE-03	PAE-05	PAE-07
Capacity 换热能力	W/℃	5	10	15	25	35
Max heat exchangement 最大换热量	W	100	200	300	500	700
Power source 电源		AC 1P 220V 50Hz/60Hz				
Power 输入功率	W	28/38	30/44	30/44	60/88	44/60
Current 额定电流	A	0.14/0.18	0.18/0.24	0.18/0.24	0.36/0.48	0.2/0.26
Shape dimension 外形尺寸	mm	250×480×70	250×577×70	250×780×70	295×780×70	295×860×90
Weight 参考重量	kg	3.7	4.7	5.7	7.5	7.8

Note: The maximum design temperature difference of heat exchanger is 20°C. 热交换器最大设计温差20°C.

冷却液

EASYCOLD 131 Coolant liquid

防腐 防锈 防冻

ANTISEPTIC RUST PREVENTION

EASYCOLD 131 是一种多用途液体，可用于任何清洁的制冷系统的水循环管路。我司强烈建议用户选用此产品，因为这对制冷机组的可靠运行非常重要它是封闭循环回路的理想载冷液，能将系统中的腐蚀和沉积物降到最低。可用于铝、铜及塑料材料

EASYCOLD 131 is a maintenance liquid and can be used in any clean hydraulic circuit in the cooling system. It is the ideal coolant for any closed circuits - minimizing the corrosion & deposits levels in the system. It can be used in both aluminium and plastic materials.

特性 FEATURES:

- EASYCOLD 131 环保无毒无污染
- 可与防冻液混合使用（乙二醇或丙烷）
- 易于存放及使用，无需稀释（25公斤/桶）
- 保持循环回路的化学和金属特性不变
- 预防腐蚀、结垢和钙沉积物
- 延长机组的工作时间及寿命
- 减少机组的维修和保养

EASYCOLD 131 is environment friendly and does not contain any polluting toxic substances. It can be mixed with anti-freezing liquid (glicoleetilenico or propilenico). It is handy and ready to be used - no diluting is required. (25kg /1000kg per tank)

功能 FUNCTIONS:

- 它可以保护系统免受钙沉积、化学和电化学反应的影响，并保持制冷系统稳定的运行条件。
- 可以保持制冷系统良好的功能及防止外部部件过早的老化，并减少不必要的修理和维护成本。

EASYCOLD 131 is a multi-purpose liquid. It can protect the system from calcium deposits, chemical and electrochemical reactions and keeps the chemical and metallurgical conditions of the cooling system stable. It can therefore maintain the good functioning of the chiller and prevent the premature ageing of the exposed components and reduce unnecessary reparation & maintenance costs.

注意事项 APPLICATIONS:

- 建议用于水冷机组中，标准工作温度范围为5~40°C，如需特殊工况下使用请先咨询我司
- 请勿直接用于激光设备的制冷 在正常工作条件下建议两年更换一次。
- 可应用于大部分场合，但是我司建议使用前请仔细阅读产品的技术安全数据表
- 技术安全数据表可在我司网站下载或联系我司索取

Add EASYCOLD 131 to the clean circuit (without organic nor inorganic deposits). It is suggested to be replaced once two year under normal working conditions.



服务网络

我公司服务中心遍布在全国各地的工业重镇，专业的技术服务人员，可以为客户提供全方位的客户服务，包括：制冷机组的安装和调试、现场操作员工培训、紧急维护修理或定期的检查保养服务等，任何时候均可在用户周边找到可靠的服务中心。

Service network

Our company offers a comprehensive range of customer services from its local service centres and qualified service technicians. From chiller installation to on-site training, from emergency reparation to schedule maintenance services, there is always a reliable service centre in your area.



全国各地的服务站
Service Centres in China

北京	Beijing	哈尔滨	Haerbin	南宁	Nanning	天津	Tianjin
长春	Changchun	海口	Haikou	宁波	Ningbo	武汉	Wuhan
长沙	Changsha	杭州	Hangzhou	青岛	Qingdao	无锡	Wuxi
成都	Chengdu	合肥	Hefei	上海	Shanghai	厦门	Xiamen
重庆	Chongqing	呼和浩特	Huhehaote	沈阳	Shenyang	西安	Xian
大连	Dalian	济南	Jinan	深圳	Shenzhen	新疆	Xinjiang
东莞	Dongguan	昆明	Kunming	石家庄	Shijiazhuang	郑州	Zhengzhou
福州	Fuzhou	澳门	Macau	苏州	Suzhou	中山	Zhongshan
广州	Guangzhou	南昌	Nanchang	太原	Taiyuan	珠海	Zhuhai
贵阳	Guiyang	南京	Nanjing	唐山	Tangshan		