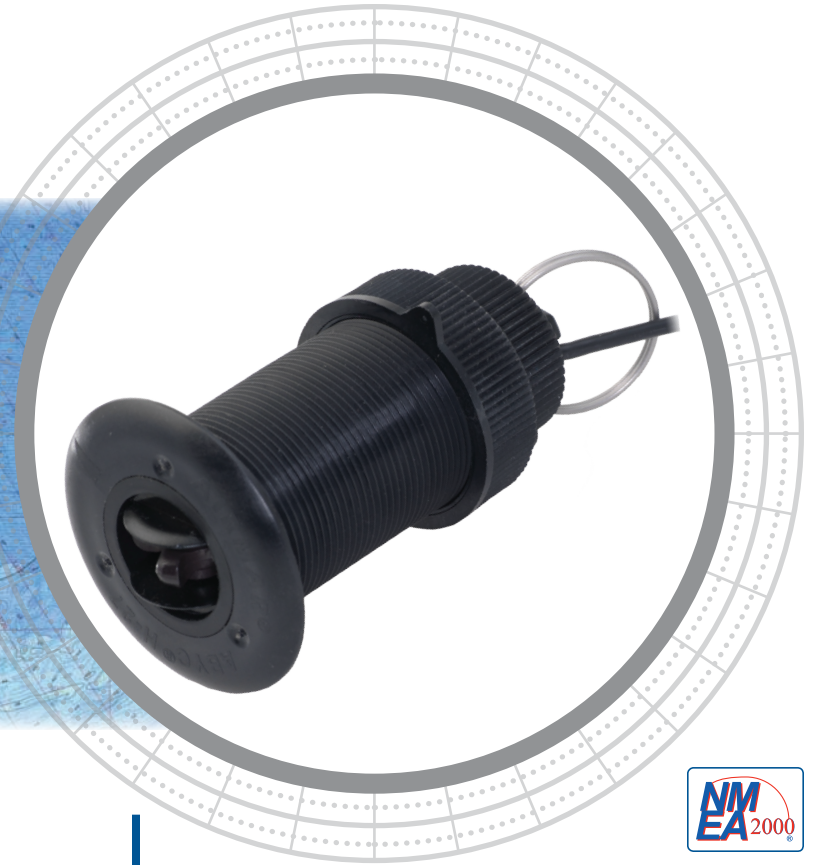
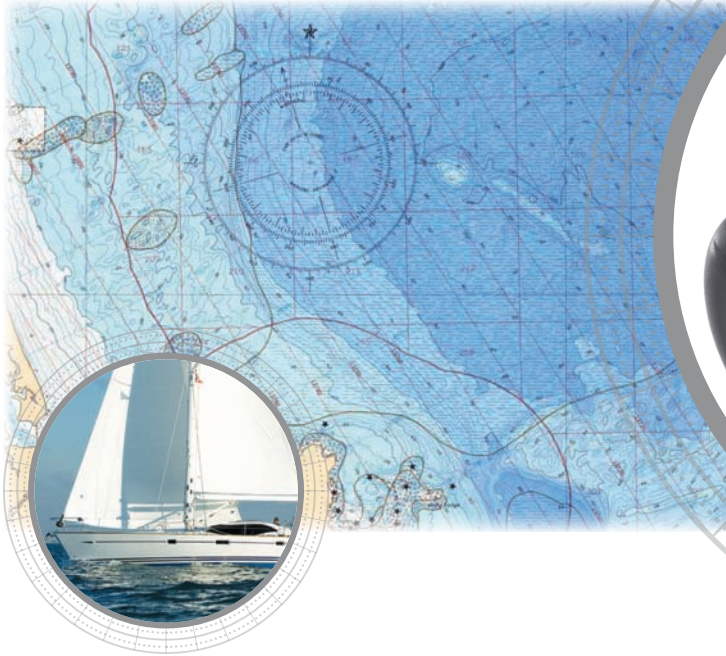


ST800 ST850



聪明的选择!

Airmar的新型ST800和ST850 智能传感器具有嵌入式微电子处理器。速度和温度信号在传感器内进行处理，可以显示在接受NMEA2000®数据的任何雷达，图表绘图仪或设备上。

最小化阻力

ST850是Airmar标准的穿舱式安装的速度和温度传感器。可选塑料、青铜和不锈钢外壳，可满足几乎所有船体要求。这些低剖面的外壳几乎与船体是齐平的，可最小化阻力，只有5毫米(3/16")延伸到船体外面。

消除湍流

塑料P217和青铜B119沉头冲洗外壳易于安装。塑料P314和青铜B21外壳选件具有传统的斜边，用于齐平安装。嵌入式外壳消除了湍流的影响，可在高速下获得仍然精确的数据。它们是安装在赛艇帆船和高速动力艇上的最佳选择。

穿舱式安装 速度和温度 智能传感器

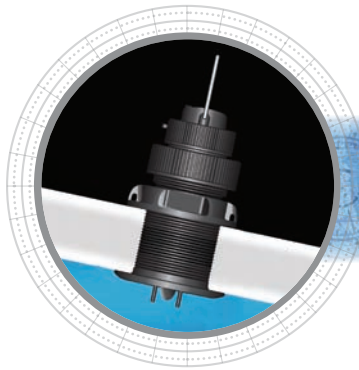
产品特点:

- 速度和温度
- NMEA 2000® 或模拟输出 (可选)
- 带阀套的可伸缩塑料、青铜或不锈钢外壳
- ST800 - 改装为Airmar P120和B120外壳
- ST850 - 改装为Airmar P17和B17外壳
- 6米 (20') NMEA 2000线, 9米 (30')模拟输出线
- Devicenet接头或NMEA 2000版本
- 速度范围: 2- 45 knots (2- 52 MPH)



Sensing Technology

www.airmar.com



ST800, ST850

技术信息

规格

Weight:

- 0.7 kg (1.4 lb)—Plastic
- 1.3 kg (2.8 lb)—Bronze
- 1.6 kg (3.5 lb)—Stainless Steel

Speed Range: 2 knots to 45 knots (2 MPH to 52 MPH)

Acoustic Window: Urethane

Hull Deadrise: Up to 22°

Data Update Rate: 1 per second

Pressure Rating: 3 m (10')

Pulse Rate: 17,000 p/nm* (4.8 Hz per knot)—*p/nm = pulses per nautical mile

Supply Voltage: 9 VDC to 16 VDC

Supply Current: <200 mA

Standard Cable Length: 6 m (20') NMEA 2000 cable, 9 m (30') Analog

Temperature Sensor Accuracy: ±0.5°C (±1.8°F)

Temperature Sensor Range: -10°C to 40°C (14°F to 104°F)

NMEA 2000® Load Equivalency Number (LEN): 2

CE Regulation: Complies to IERC60945

DATA OUTPUT PROTOCOL

Analog Paddlewheel Format

OR

NMEA 2000® Supported PGNs

- 59392..... ISO Acknowledgement
- 600928..... ISO Address Claim
- 126208..... Acknowledge Group Function
- 126464..... Transmit PGN List Group Function
- 126464..... Received PGN List Group Function
- 126996..... Product Information
- 128259..... Speed (Speed Water Reference)
- 128275..... Distance Log
- 130310..... Environmental Parameters (Water Temperature)
- 130311..... Environmental Parameters (Water Temperature)
- 130312..... Environmental Parameters (Water Temperature)



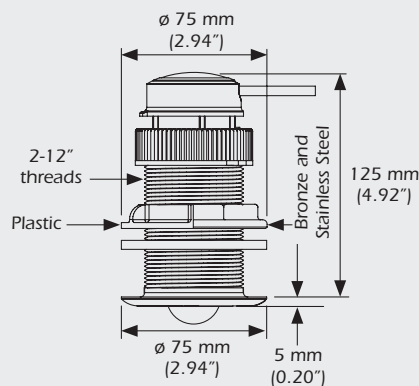
©Airmar Technology Corporation

ST850_Smart_rF 02/03/10

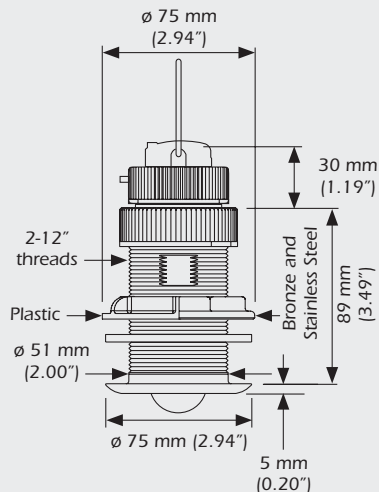
As Airmar constantly improves its products, all specifications are subject to change without notice. All Airmar products are designed to provide high levels of accuracy and reliability, however they should only be used as aids to navigation and not as a replacement for traditional navigation aids and techniques. Other company or product names mentioned in this document may be trademarks or registered trademarks of their respective companies, which are not affiliated with Airmar.

尺寸

ST800 P120 Plastic, B120 Bronze



ST850 P17 Plastic, B17 Bronze, and SS577 Stainless Steel



AirMar中国代理商

上海拜能仪器仪表有限公司
上海市宝山区友谊路1588弄2号楼402室, 201900
电话: 021-66751761 传真: 021-66751763
网站: www.bncorp.com.cn, 邮箱: sales@bncorp.com.cn