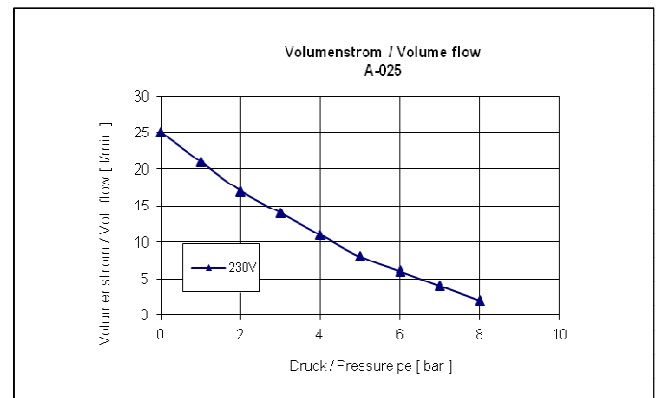
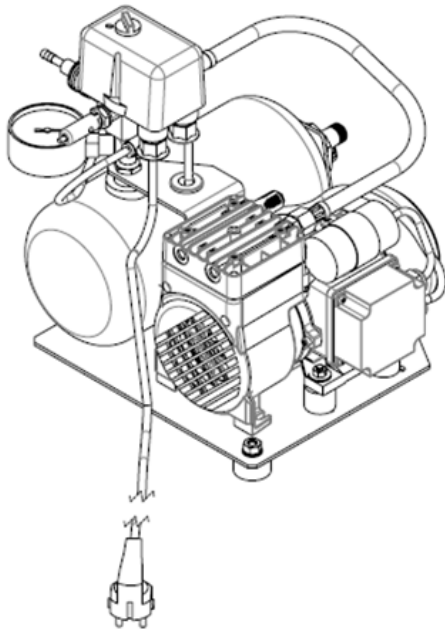
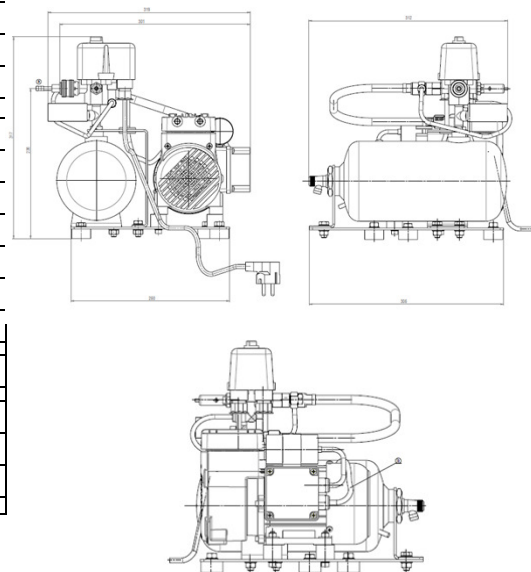


Data sheet compressor station KK8 type UA-025

Article-No. 0564 1000



Flow at 0 bar	25	l/min
Flow at 5 bar	8	l/min
Nominal pressure PN	7	bar
Safety pressure PS	8	bar
Nominal voltage	230	V
Nominal frequency	50 / 60	Hz
Nominal current	1,0 / 1,2	A
Nominal power	0,22 / 0,27	kW
Protection class	IP44	IP
Nominal speed	1400 / 1600	min ⁻¹
Duty cycle	S1	
Ambient conditions	+5°C / +40°C	°C
Noise level at PN	55	dB (A)
Weight	12	kg
Dimensions (L x W x H)	320x320x320	mm



Control and safety devices with pressure switch, non-return valve, pressure gauge, safety valve and mechanical condensate drain outlet*

Pressure receiver 3 l

* A mechanical relief valve no longer ventilates, if a power failure occurs during the Filling of the tank/receiver. Pressure remains in the line. In order to enable the compressor to restart, the system must be depressurized. A solenoid valve with timer ensures the safest start release

- Nominal pressure: recommended working pressure. On exceeding the nominal pressure a reduced lifetime is to be expected
- Safety pressure: max. permitted system pressure
- The information correspond to the current technical standard, subject to alteration and errors accepted