

Lt665R

6.0 Megapixel, High Sensitivity, CCD
Camera with High-Speed USB 3.0



High Resolution, Low Noise CCD Imaging

The Lt665R is Lumenera's latest innovative, high performance USB 3.0 CCD camera based on the solid design of the Lt365R. Easy to use, the Lt665R builds on leading edge EXview HAD II technology to deliver high quality imaging and high sensitivity in a compact camera rich in features. Low noise electronics ensure clear and sharp images rendering details with amazing accuracy. Its superior responsiveness position it as a good choice for Near-Infrared (NIR) imaging. This industrial-grade camera is ideally suited for a variety of applications including ophthalmology, traffic, tolling, surveillance, high-speed inspection and machine vision. A scientific-grade variant is available for the most demanding life science applications. The Lt665R can also be customized to suit OEM designs.

High Quality Images at High Speed

The Lt665R was created for speed using the latest USB 3.0 technology to deliver the fastest image delivery possible from the Sony ICX694 sensor at its highest resolution. Image captures can be synchronized using either a hardware or software trigger. FPGA-enabled performance, complemented by 128 MB of onboard memory for frame buffering, ensures dependable and reliable image delivery even in the most demanding machine vision systems. Unlike some competitive cameras, the Lt665R buffer technology delivers all frames at full speed and max resolution without introducing latency.

Plug-and-Play with No Framegrabber

The compact, robust design of this camera, measuring 43 x 43 x 65 mm, allows for easy integration into tight spaces and systems. The locking USB 3.0 cabling and digital interface ensure a simple plug-and-play installation. No framegrabber is required. Simplified I/O cabling is provided through a locking Hirose connector supporting external power input along with 1 optically isolated output, 1 optically isolated input and 2 configurable I/O ports.

Maximize Camera Performance Within Your Own Application

The Lumenera Camera SDK provides a full suite of features and functions that allow you to maximize the camera's performance within your own vision application with minimal work. The SDK is compatible with all of our USB and GigE-based cameras. Microsoft DirectX/DirectShow, Windows API and .NET API interfaces are provided, allowing you the choice of application development environments from C/C++ to VB.NET or C#.NET. Over 50 sample applications, associated source code and comprehensive documentation included.

Superior Technical Assistance Center

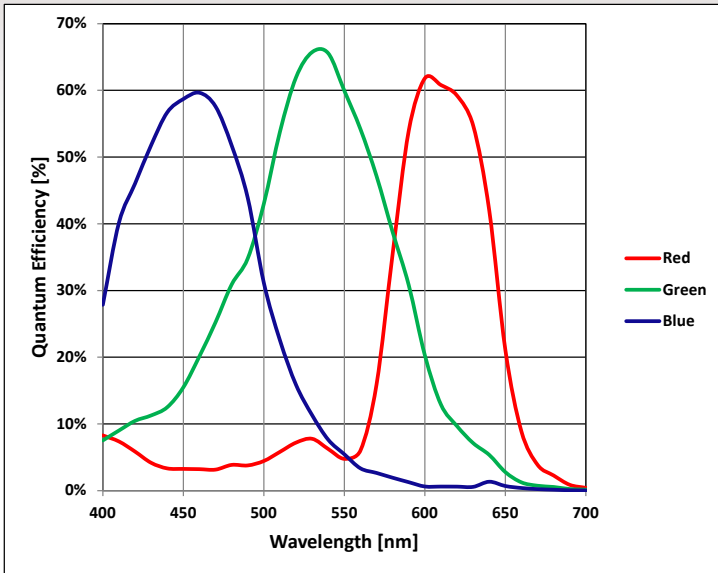
All Lumenera cameras, SDK and API are supported by an experienced team of technical support and imaging experts widely acclaimed in the industry. We understand your imaging needs and are here to help you get the most out of your camera.

Features

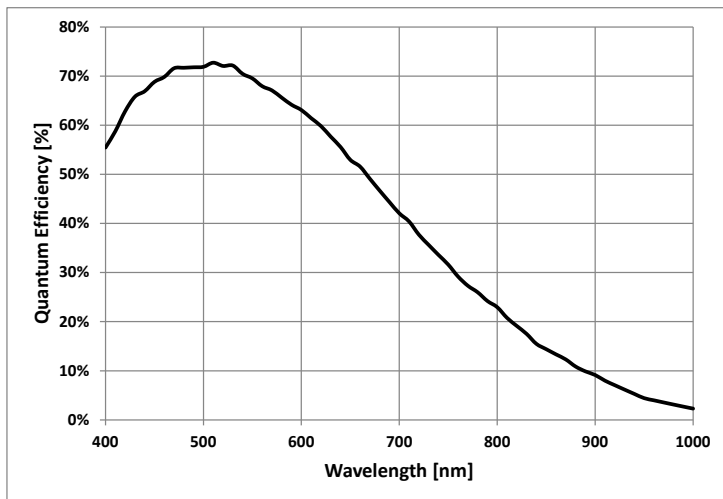
- Industry leading Sony EXview HAD II sensor technology
- Fastest USB 3.0 camera using the ICX694 sensor: 27 fps at full resolution
- Color or monochrome CCD sensor with 1" optical format providing a resolution of 2752 x 2192 using 4.54 x 4.54 μm pixels
- High-speed USB 3.0 interface for fastest image delivery and simplified connectivity
- Compact, robust form factor measuring 43 x 43 x 65 mm with 4 mounting points on all 4 sides and 1 tripod (1/4"-20) mount
- Locking industrial micro USB and Hirose GPIO connector for power and control of peripherals and synchronization of lighting
- 4 GPIO: 1 optically isolated output, 1 optically isolated input and 2 configurable I/O ports
- 128 MB RAM frame buffer
- Simplified cabling – video and full camera control over a single locking micro USB 3.0 cable
- Region of Interest (ROI) option to provide higher frame rates
- Selectable 8 or 14-bit pixel data
- Selectable tap readout to match sensor performance to your application
- Multiple data rates supported, each optimized for lowest noise performance
- FCC Class B, CE Certified
- DirectShow compatible
- Software compatible with Windows 10, Windows 8.1, Windows 7, Linux, 32 and 64-bit operating systems
- Complete Windows and Linux SDKs available
- Four (4) year warranty



Color Quantum Efficiency Curves

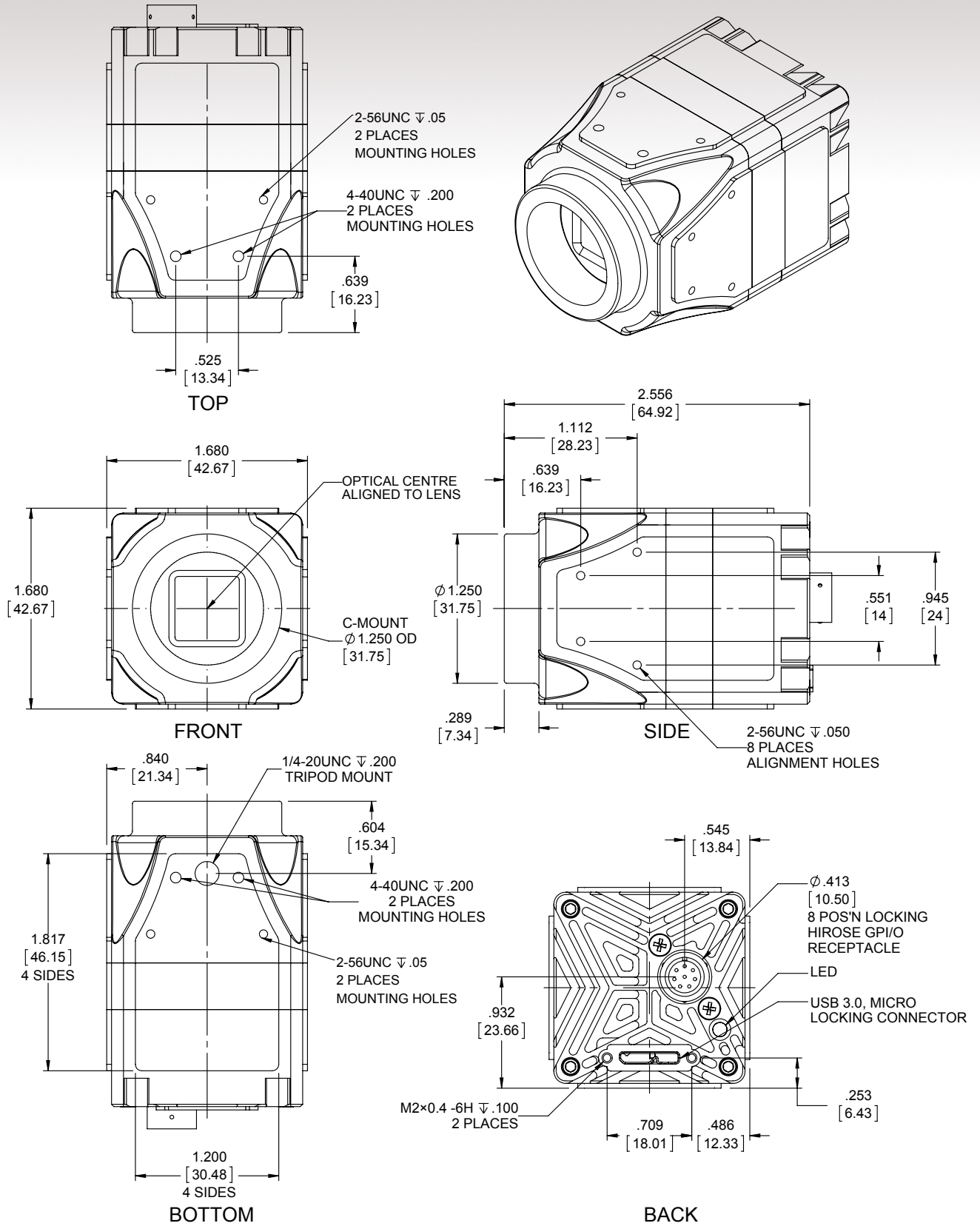


Monochrome Quantum Efficiency Curve



| Sensor Specifications | |
|----------------------------|--|
| Image Sensor | Sony ICX694, CCD, color or monochrome |
| Optical Format | 1" |
| Imager Size | Diagonal 15.99 mm |
| Pixel Size | 4.54 x 4.54 μm |
| Resolution | 2752 x 2192 pixels |
| Region of Interest Control | Any multiple of 16 x 16 (quad tap mode) |
| Camera Specifications | |
| Max Frame Rate | 27 fps at 2752 x 2192, 46 fps with 2x2 binning |
| Bit Depth | 8 or 14-bit |
| Binning Modes | 2 x 2, 4 x 4, 8 x 8 (3 x 3 mono only) |
| Exposure Control | Manual and automatic control |
| Exposure Range | 3 μs to 71 min (snapshot) 31 μs to 1.79 s (video) |
| Gain Control | Manual and automatic control |
| Gain Range | 0.8 to 56 x |
| White Balance | Manual and automatic control |
| Trigger Modes | Hardware and software triggerable |
| Camera Characteristics | |
| Sensitivity | Mono: 5.2 DN/(nJ/cm ²), Color: 4.3 DN/(nJ/cm ²) (Global and channel gains at unity) |
| Dynamic Range | 68.8 dB |
| Full Well Capacity | 16,500 e- |
| Quantum Efficiency | 73% (Mono), 66% (Color) |
| Read Noise | 6 e- (Quad-Tap Mode) |
| Dark Current Noise | <1 e-/s (at 22 °C ambient, 41 °C internal) |
| Mechanical Specifications | |
| Data Interface | USB 3.0, micro locking connector |
| General Purpose I/O | Locking Hirose MXR-8R-8SA(71) |
| Lens Mount | C-Mount |
| Dimensions | 43 x 43 x 65 mm |
| Mass | 175 g |
| Operating Temperature | 0 to 50 °C |
| Storage Temperature | -30 to 70 °C |
| Operating Humidity | 5 to 95 %, non-condensing |
| Shock / Vibration | 50 G shock / 5 G (2 to 200 Hz) vibration |
| Onboard Memory | Camera has onboard non-volatile memory storage |
| Camera Software | |
| Operating Systems | Windows 10, Windows 8.1, Windows 7, Linux, 32 and 64-bit operating systems |
| Software Interfaces | DirectShow |
| Power and Emissions | |
| Power Consumption | 6.0 W |
| Power Requirement | USB Y cable or, La2000PK or La2000PIOK power kit to provide 5 V DC, 1.5 A, power through GPIO |
| Emissions Compliances | FCC Class B, CE Certified |
| Hazardous Materials | RoHS, WEEE Compliant |
| Warranty | Four (4) year |
| Ordering Options | |
| Lt665RM | 6.0 MP Monochrome Camera |
| Lt665RC | 6.0 MP Color Camera |
| La2000PK | Power Supply via GPIO connector (power only) |
| La2000PIOK | Power Supply with GPIO cable (leads + power) |
| LuSDK | Software Developer's Kit (Web Download) |
| Customization Options | |
| -SCI | Scientific grade |
| -WOIR | AR/AR glass within lens mount |





ALL DIMENSIONS DISPLAYED AS INCHES [MM]

