

HAMAMATSU

PHOTON IS OUR BUSINESS

SUPER-QUIET XENON LAMP

SUPER-QUIET MERCURY-XENON LAMP

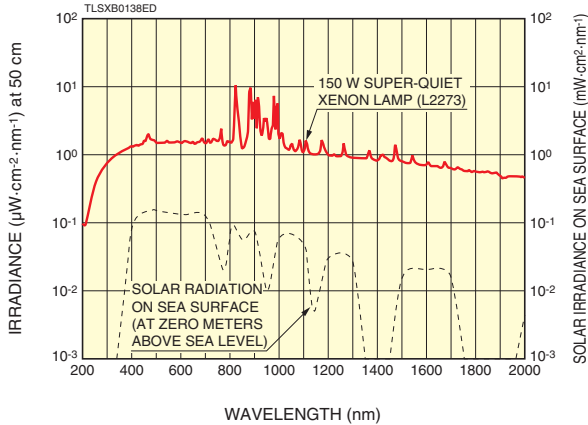


OVERVIEW

●SUPER-QUIET XENON LAMP

These are lamps filled with xenon gas that emits "white light" at a high color temperature of 6000 K, which is close to that of sunlight and covers a broad continuous spectrum (185 nm to 2000 nm) from the UV to infrared region. These xenon lamps are ideal as light sources for various types of photometric instruments such as spectrophotometers.

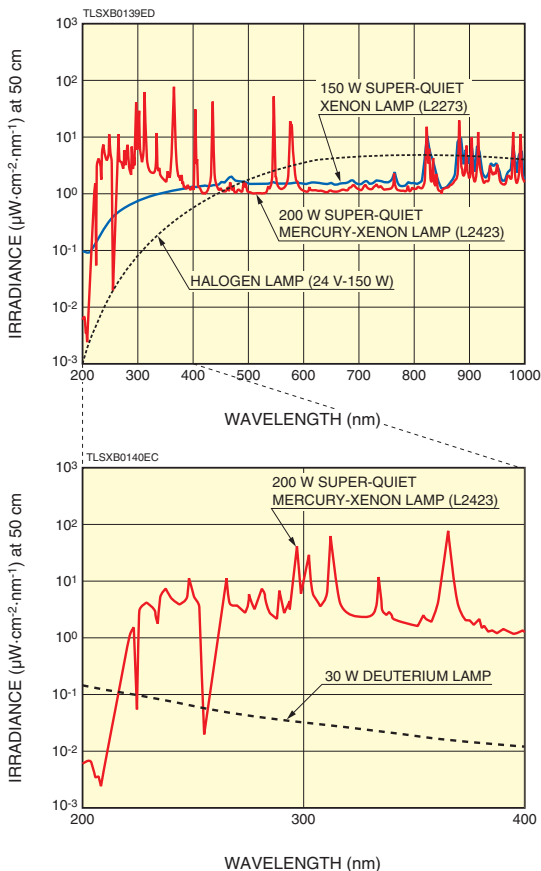
Figure 1: Spectral irradiance



●SUPER-QUIET MERCURY-XENON LAMP

Mercury-xenon lamps produce high radiant energy especially in the UV region due to an optimal mixture of mercury and xenon gas. These lamps possess features of both xenon gas and mercury discharge lamps. The spectral distribution includes a continuous line spectrum ranging from UV to infrared of the xenon gas and strong mercury line spectra in the UV to visible region. Compared to xenon lamps, the radiant spectrum in the UV region of mercury-xenon lamps is sharper in width and its peak is higher in intensity. These features make mercury-xenon lamps ideal as UV light sources.

Figure 2: Spectral irradiance



FEATURES

●No arc point shift

●High stability

Super-quiet xenon lamp:

Fluctuation (p-p) 0.2 % Typ.
1.0 % Max.

Drift ±0.5 %/h Typ.

Super-quiet mercury-xenon lamp:

Fluctuation (p-p) 0.5 % Typ.
2.0 % Max.

Drift ±0.5 %/h Typ.

●Long life

●Wide lamp lineup starting from low wattage input

●High brightness point light source

●High color temperature: 6000 K (Super-quiet xenon lamp)

●High UV light irradiation intensity (Super-quiet mercury-xenon lamp)

APPLICATIONS

●SUPER-QUIET XENON LAMP

- Spectrophotometer
- Liquid chromatograph
- Fluorospectrophotometer
- Microscope light source
- Color analyzer, color scanner
- Solar simulator, etc.

●SUPER-QUIET MERCURY-XENON LAMP

- Wafer inspection system
- Semiconductor photolithographic equipment
- Fluorescent microscopy
- Blood analyzer
- UV irradiation equipment, etc.

ARC POINT "INSTABILITY (FLUCTUATION)" AND "SHIFT"

Light source lamps used for high precision photometry must have good arc emission point stability. However, cathodes used in conventional lamps have two shortcomings in terms of arc stability. One problem is that the arc emission point shifts intermittently due to inadequate electron emission from the cathode. The other problem is that the arc point shifts a little at a time due to the cathode tip wear that occurs with operating time as the lamp ages.

Hamamatsu super-quiet lamps employ a high performance "BI (Barium-Impregnated) cathode" developed totally in-house that eliminates the above problems to deliver extremely high stability.

This durable cathode exhibits no wear at the cathode tip over operating time and the arc point does not shift. So there is no need to realign the optical system until the time finally comes when the lamp must be replaced.

Figure 3: "Light output stability (fluctuation) vs. operating time" measurement block diagram

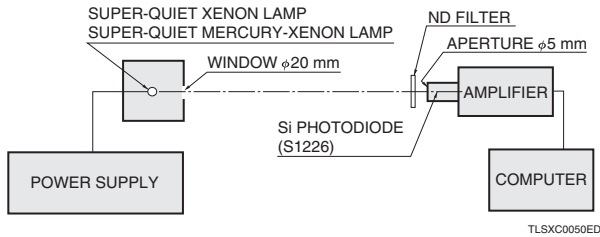
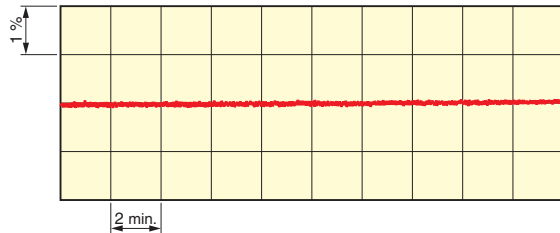


Figure 4: Light output stability (fluctuation) vs. operating time

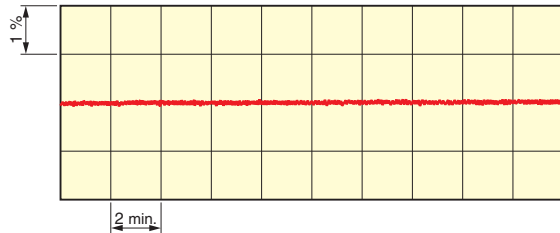
150 W SUPER-QUIET XENON LAMP (L2273)

(Average life: 3000 hours)

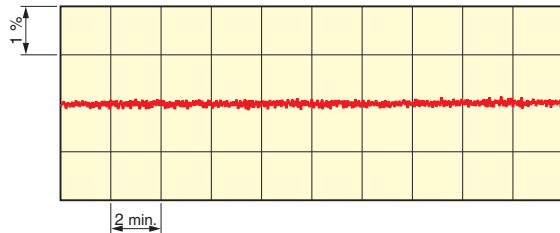
a) Initial operation (after 5 hours)



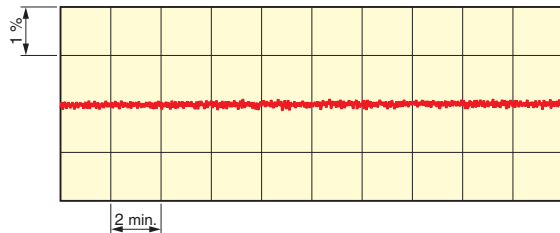
b) After 1000 hours of operation



c) After 2000 hours of operation



d) After 3000 hours of operation

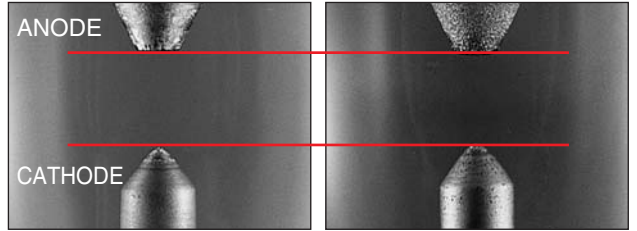


TLSXB0128EB

Figure 5: Comparison of cathode tip wear

HAMAMATSU High performance "BI (Barium-Impregnated) cathode"

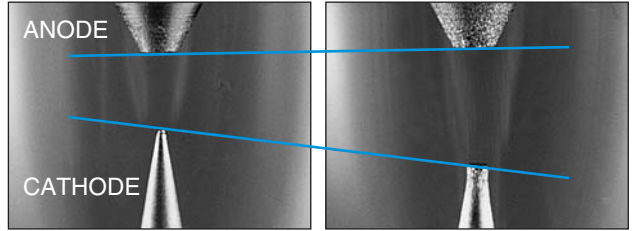
Initial operation (after 5 hours) After 1000 hours of operation



TLSXF0048

Conventional cathode

Initial operation (after 5 hours) After 1000 hours of operation

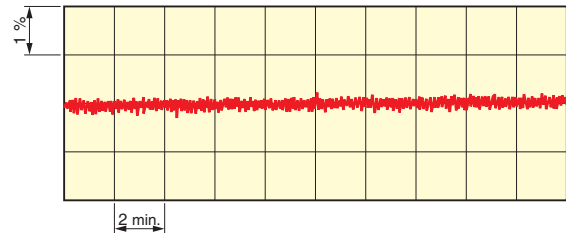


TLSXF0049

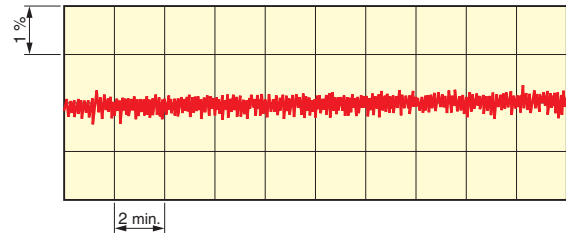
200 W SUPER-QUIET MERCURY-XENON LAMP (L2423)

(Average life: 2000 hours)

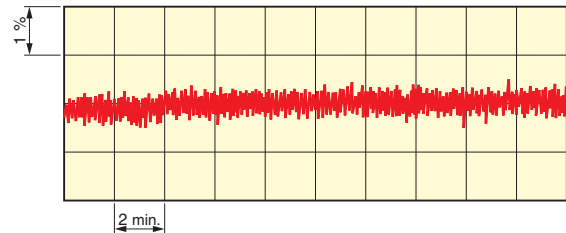
a) Initial operation (after 5 hours)



b) After 1000 hours of operation



c) After 2000 hours of operation



TLSXB0129EB

STRUCTURE AND OPERATION

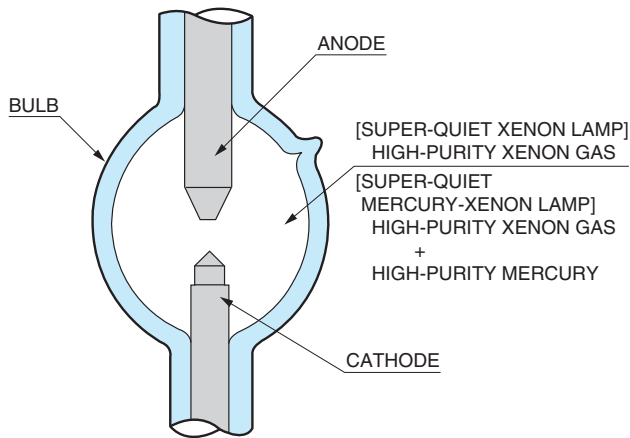
These lamps have an oval bulb made in which a cathode and an anode face each other. The bulb for super-quiet xenon lamps is filled with high-purity, high-pressure xenon gas. The bulb for super-quiet mercury-xenon lamps is filled with a mixture of high-purity, high-pressure xenon gas and high-purity mercury.

The lamps emit light by arc discharge. The lamps are installed vertically or horizontally with the anode at the upper side (some types of lamps are only installed vertically) and operate on DC (when the specified voltage is supplied across the anode and cathode, the lamp forms an arc discharge).

After the lamp lights up, the light output intensity varies until the gas pressure inside the bulb reaches thermal equilibrium. It takes several minutes to reach the maximum light output intensity.

During lamp operation, the bulb wall temperature rises above 500 °C and the gas pressure inside the bulb increases to approximately 4 MPa which is 4 times higher than when the lamp is not operating.

Figure 6: Lamp structure



TLSXC0047EB

CHARACTERISTICS

● SPECTRAL IRRADIANCE SUPER-QUIET XENON LAMP

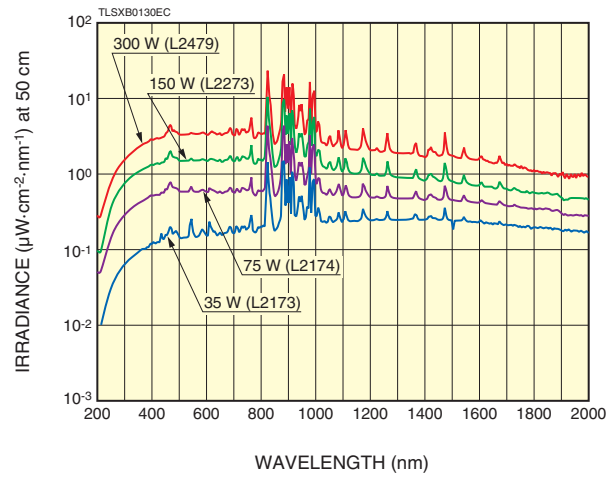
The irradiance of xenon lamps is continuous over the UV, visible and infrared regions. Some line spectra are emitted in the visible to infrared regions.

SUPER-QUIET MERCURY-XENON LAMP

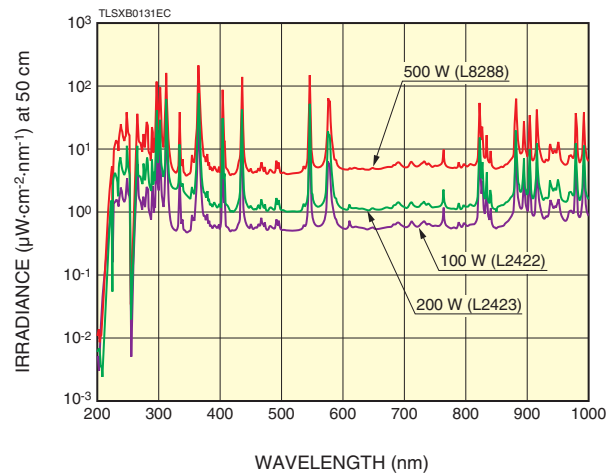
The irradiance of mercury-xenon lamps has strong line spectra from the UV to the visible region. This radiation spectrum includes both the continuous spectrum of super-quiet xenon lamps and mercury line spectra.

Figure 7: Spectral irradiance

SUPER-QUIET XENON LAMP



SUPER-QUIET MERCURY-XENON LAMP

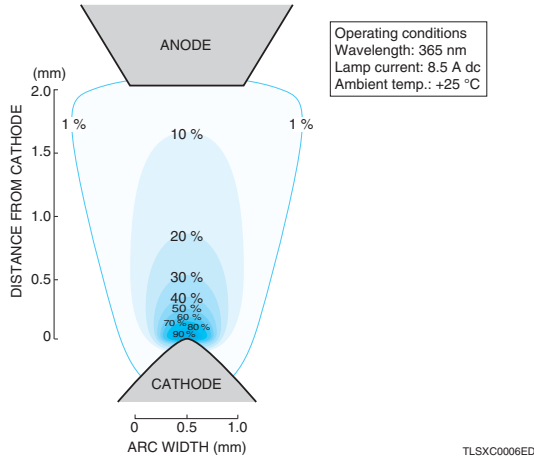


● LIGHT OUTPUT DISTRIBUTION

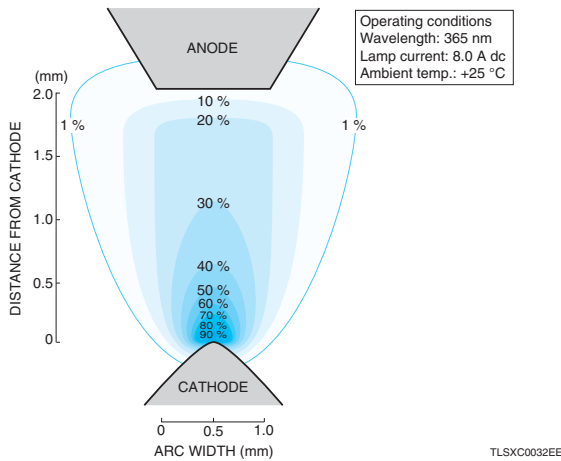
Maximum light output intensity is more intense around the cathode, and decreases towards the anode.

Figure 8: Light output distribution (vertical installation)

150 W SUPER-QUIET XENON LAMP (L2273)



200 W SUPER-QUIET MERCURY-XENON LAMP (L2423)



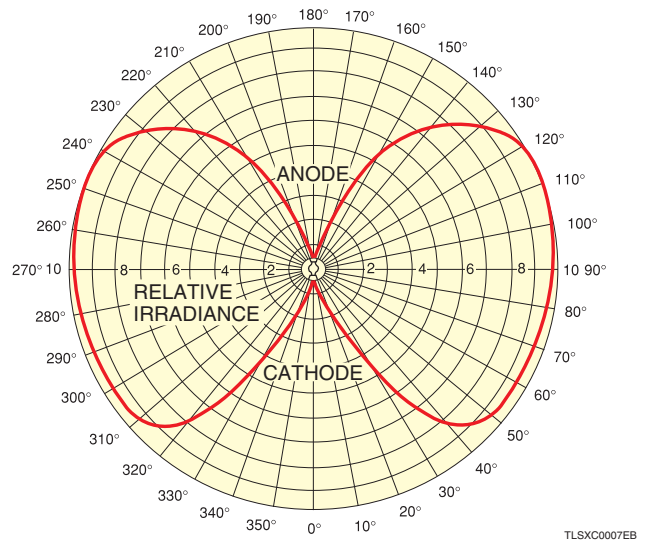
● DIRECTIVITY (LIGHT DISTRIBUTION)

The lamps emit a directivity uniformly along the horizontal direction.

Figure 9: Directivity (light distribution) (vertical installation)

150 W SUPER-QUIET XENON LAMP (L2273)

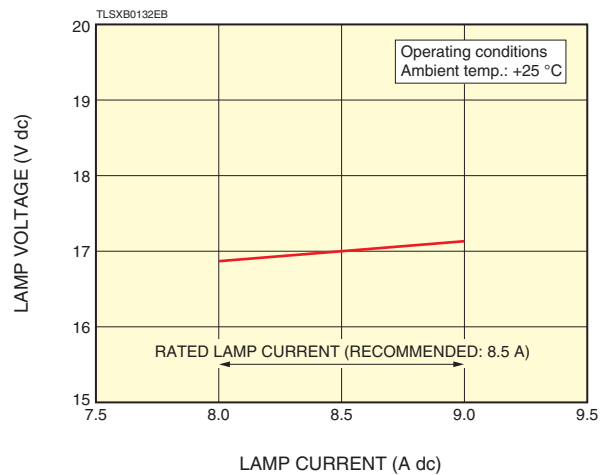
200 W SUPER-QUIET MERCURY-XENON LAMP (L2423)



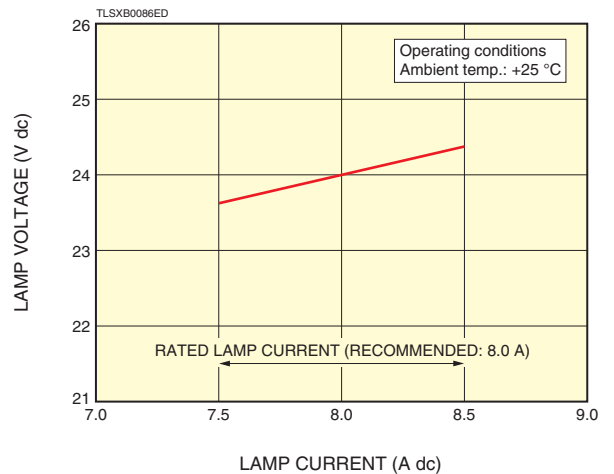
● LAMP VOLTAGE AND LAMP CURRENT

Figure 10: Lamp voltage vs. lamp current

150 W SUPER-QUIET XENON LAMP (L2273)



200 W SUPER-QUIET MERCURY-XENON LAMP (L2423)

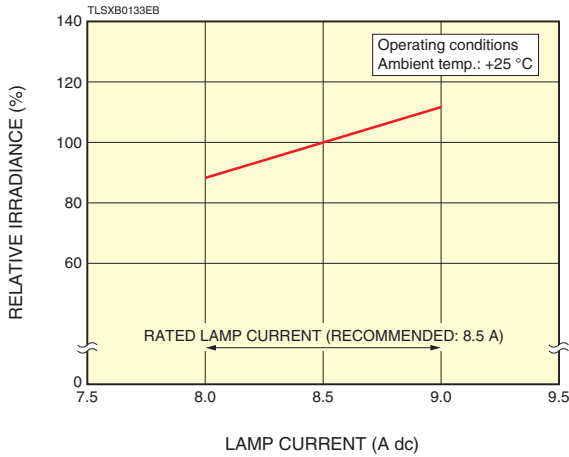


●LIGHT OUTPUT INTENSITY AND LAMP CURRENT

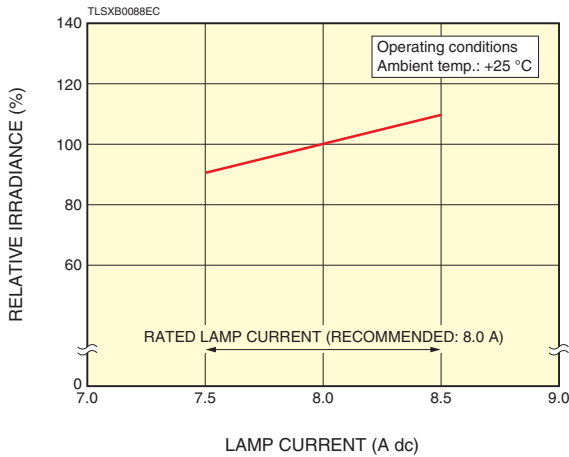
The light output intensity of a lamp is proportional to the lamp current.

Figure 11: Light output intensity vs.lamp current

150 W SUPER-QUIET XENON LAMP (L2273)



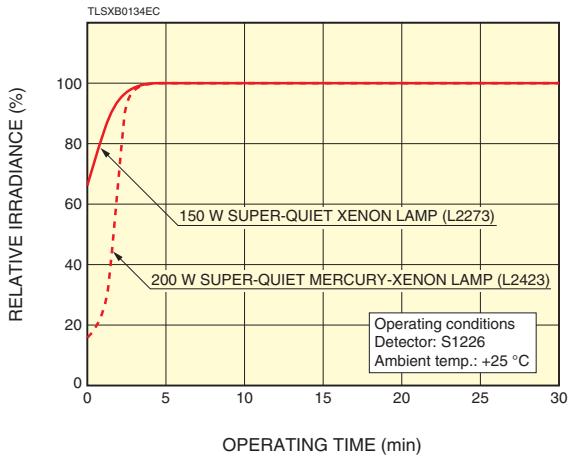
200 W SUPER-QUIET MERCURY-XENON LAMP (L2423)



●INITIAL STABILITY OF LIGHT OUTPUT INTENSITY

After the lamp lights up, the light output intensity varies until the gas pressure inside the bulb reaches thermal equilibrium. It takes several minutes to reach the maximum light output intensity.

Figure 12: Initial stability of light output intensity

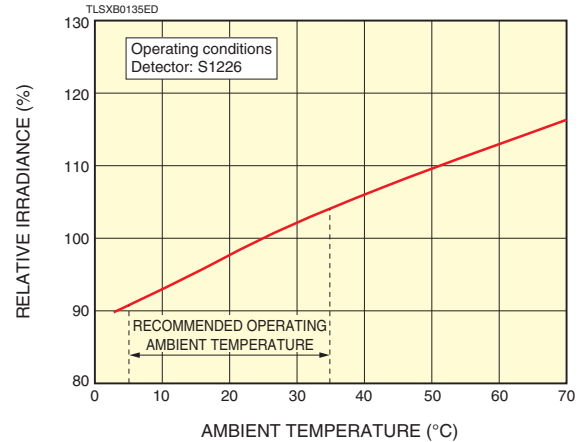


●LIGHT OUTPUT INTENSITY AND AMBIENT TEMPERATURE

The light output intensity of a lamp also varies with ambient temperature. This is due to the change in light output intensity resulting from the change in gas pressure in the bulb with temperature. The ambient temperature must be kept constant to ensure stable lamp operation.

Figure 13: Light output intensity vs. ambient temperature

150 W SUPER-QUIET XENON LAMP (L2273)

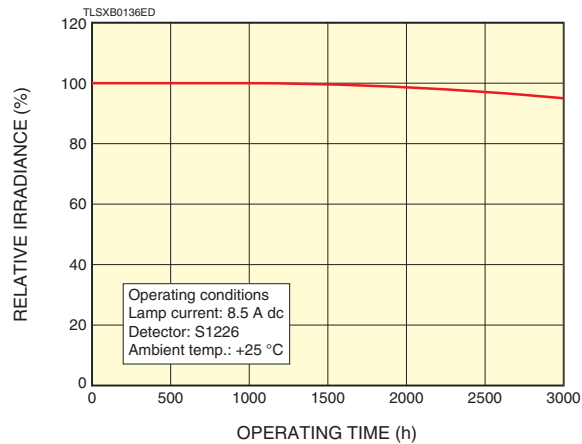


●LIGHT OUTPUT INTENSITY AND OPERATING TIME

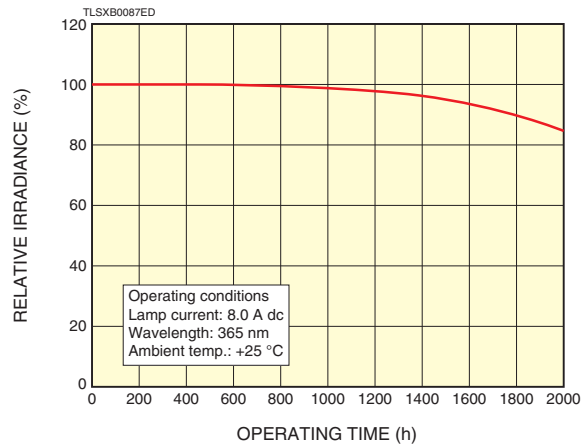
The light output intensity decreases over operating time. This is because of a loss of glass transmittance caused by blacking of the bulb wall due to evaporation of the cathode materials and solarization effect of UV radiation.

Figure 14: Light output intensity vs.operating time

150 W SUPER-QUIET XENON LAMP (L2273)



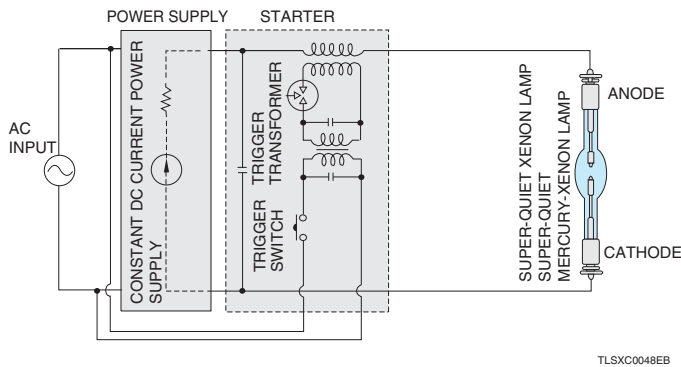
200 W SUPER-QUIET MERCURY-XENON LAMP (L2423)



POWER SUPPLY

Lamps used as a light source for photometric applications must provide stable light output. To ensure stable lamp operation, the power supply must also provide high stability equal to or better than that of the lamp.

Figure 15: Block diagram of power supply



●POWER SUPPLY

Besides supplying the lamp with stable DC power, the power supply gives the cathode an optimal operating temperature.

The cathode temperature is very important for lamp operation. A cathode temperature that is too high speeds up the evaporation of cathode materials. Too low of a temperature will increase the load on the cathode, causing unstable electron emission and greatly reducing the lamp service life.

The lamp current value and its range are specified for each lamp type to operate the lamp stably over long periods of time.

●STARTER

The starter is for starting lamp discharge. It applies a high-frequency pulse to the lamp load by inductive coupling. (See Figure 15.)

In the initial stage of lamp operation, the discharge starts at approximately 10 kV. However, this characteristic varies according to the drop in electron emission capability of the cathode or variations in the gas pressure in the bulb.

In actual equipment operation, a trigger voltage of 20 kV to 30 kV should be applied to the lamp, while taking an ample safety margin into account.

SPECIFICATIONS

SUPER-QUIET XENON LAMP

Type No.	Lamp rating (W)	Arc length (mm)	Lamp current (A dc)	Lamp voltage (V dc)	Window material (Spectral distribution) (nm)	Light output stability	
						Drift Typ. (%/h)	Fluctuation (p-p) Max. (%)
L2173	35	1.0	3.5 ± 0.2	11	Fused silica (185 to 2000)	±0.5	1.0
L2174	75	1.3	5.4 ± 0.5	15		±0.5	1.0
L2174-01							
L2174-02							
L10725	75	1.0	5.7 ± 0.3	13.5		±0.5	1.0
L10725-01							
L10725-02							
L11307	100	1.3	7.0 ± 0.5	15		±0.5	1.0
L2175	150	2.5	7.5 ± 0.5	19		±0.5	1.0
L2273		2.0	8.5 ± 0.5	17			
L11033							
L2479	300	3.0	15.0 ± 1.0	20		±0.5	1.0

SUPER-QUIET MERCURY-XENON LAMP

Type No.	Lamp rating (W)	Arc length (mm)	Lamp current (A dc)	Lamp voltage (V dc)	Window material (Spectral distribution) (nm)	Light output stability	
						Drift Typ. (%/h)	Fluctuation (p-p) Max. (%)
L2421	50	1.0	3.5 ± 0.2	14	Fused silica (185 to 2000)	±0.5	2.0
L2481	75	1.0	5.4 ± 0.5	14		±0.5	2.0
L2481-01							
L2481-02							
L2422	100	1.3	5.5 ± 0.5	18		±0.5	2.0
L2422-01							
L2422-02							
L8029		0.8					
L8029-01							
L2482	150	1.7	7.5 ± 0.5	20		±0.5	2.0
L2423	200	2.0	8.0 ± 0.5	24		±0.5	2.0
L8706	250	1.8	8.5 ± 0.5	27		±0.5	3.0
L2483	350	2.5	14.0 ± 1.0	25		±0.5	2.0
L8288	500	3.0	20.0 ± 1.0	25		±0.5	2.0

NOTE: **A**The life end is defined as the time when the light output intensity falls to 50 % of its initial value or when the fluctuation (p-p) exceeds 1.0 % for super-quiet xenon lamps and 2.0 % for super-quiet mercury-xenon lamps (3.0 % for 250 W type L8706).

BOpen-circuit voltage necessary for certain lighting of lamps.

CSee "DIMENSIONAL OUTLINES" on pages 10 and 11.

^A Guaranteed life (h)	Average life (h)	Orientation (degree)	Cooling method	^E Supply voltage Min. (V dc)	Trigger voltage (kV)	^C Dimen- sional outline	Weight (g)	^D Power supply + Starter + Lamp housing	Type No.		
1000	2000	Vertical ±15 or horizontal ±15	Not required	50	15	②	14	①	L2173		
1000	2000			50	15	②	③	15	①	L2174	
										L2174-01	
								L2174-02			
2000	3000			50	15	②	③	15	②	L10725	
										L10725-01	
								L10725-02			
1500	2500			Vertical ±15 or horizontal ±15	Not required	50	15	②	15	③	L11307
1200	2500					65	20	⑤	45	④,⑤	L2175
1800	3000		L2273								
3000	4000	L11033									
1000	2000	Vertical ±15 or horizontal ±15	Forced air cooling			80	25	⑦	68	⑥,⑦	L2479

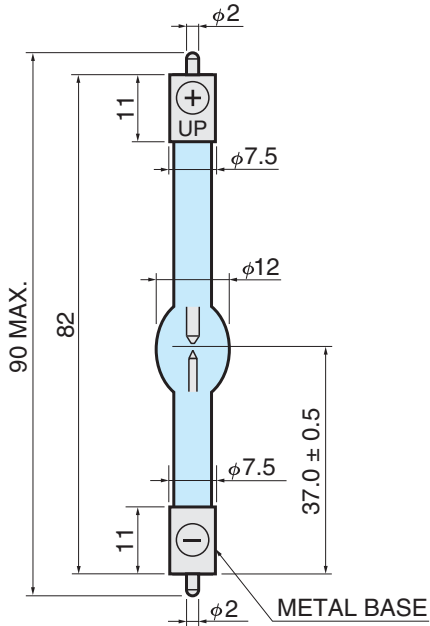
^A Guaranteed life (h)	Average life (h)	Orientation (degree)	Cooling method	^E Supply voltage Min. (V dc)	Trigger voltage (kV)	^C Dimen- sional outline	Weight (g)	^D Power supply + Starter + Lamp housing	Type No.	
500	1000	Vertical ±15 or horizontal ±15	Not required	50	15	①	10	— ^E	L2421	
500	1000			50	15	②	③	14	①	L2481
										L2481-01
								L2481-02		
500	1000	Vertical ±15 or horizontal ±15		50	15	②	15	①	L2422	
									L2422-01	
							L2422-02			
1000	2000	Vertical ±15		50	15	③	15	①	L8029	
L8029-01										
1000	2000	Vertical ±15 or horizontal ±15	Not required	65	20	⑤	43	④,⑤	L2482	
1000	2000			65	20	⑤	45	④,⑤	L2423	
2000	3000	Vertical ±15	Forced air cooling	65	20	⑥	62	— ^E	L8706	
500	1000			70	25	⑦	68	⑥,⑦	L2483	
1000	2000			80	30	⑦	80	⑥,⑦	L8288	

① Power supplies should be used in combination with a starter or lamp housing (See "POWER SUPPLY + STARTER + LAMP HOUSING COMBINATIONS" and "STRUCTURES" on page 11.).

② Please consult us.

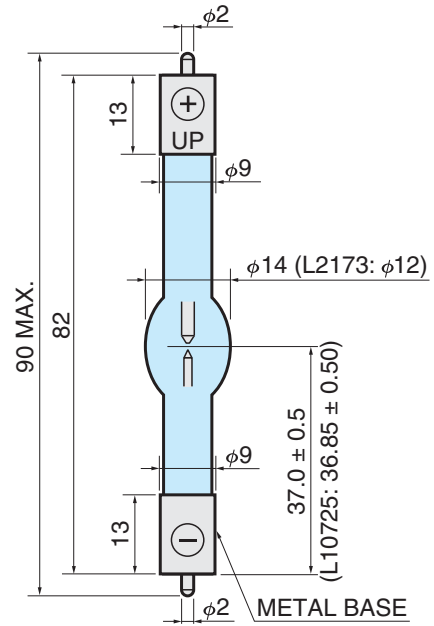
DIMENSIONAL OUTLINES (Unit: mm)

① SUPER-QUIET MERCURY-XENON LAMP: L2421



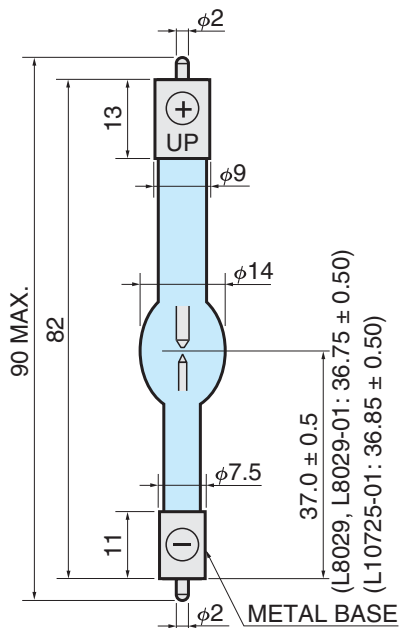
TLSXA0045EE

② SUPER-QUIET XENON LAMP: L2173, L2174, L10725, L11307
SUPER-QUIET MERCURY-XENON LAMP: L2481, L2422



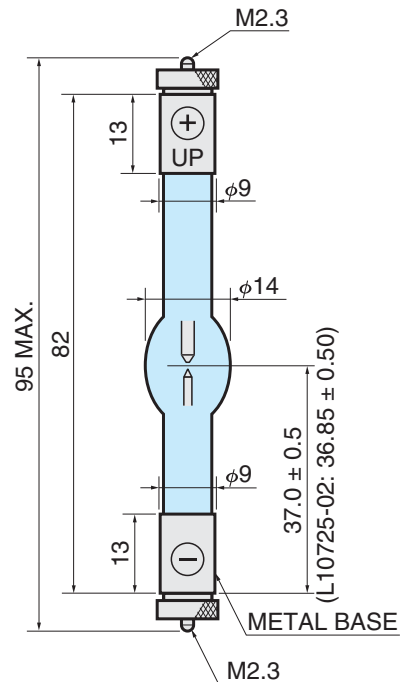
TLSXA0101EC

③ SUPER-QUIET XENON LAMP: L2174-01, L10725-01
SUPER-QUIET MERCURY-XENON LAMP: L2481-01, L2422-01, L8029/01



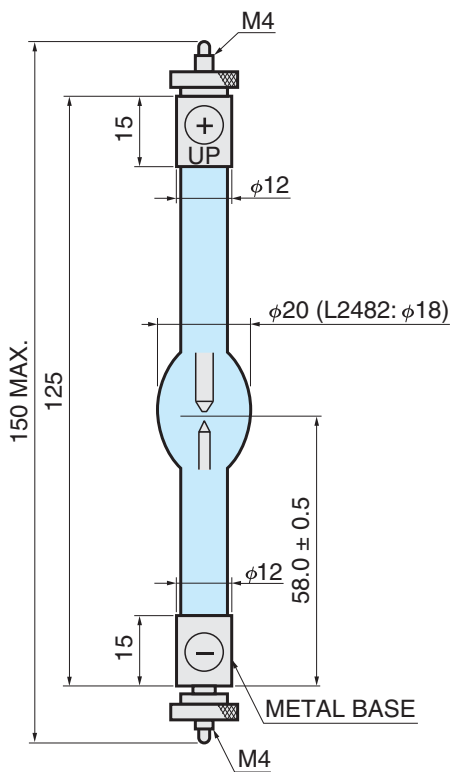
TLSXA0102EC

④ SUPER-QUIET XENON LAMP: L2174-02, L10725-02
SUPER-QUIET MERCURY-XENON LAMP: L2481-02, L2422-02



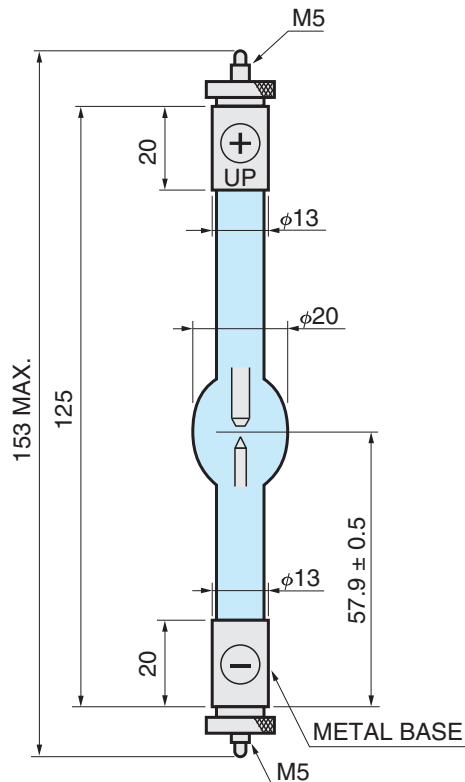
TLSXA0007EF

**5 SUPER-QUIET XENON LAMP: L2175, L2273, L11033
SUPER-QUIET MERCURY-XENON LAMP: L2482, L2423**



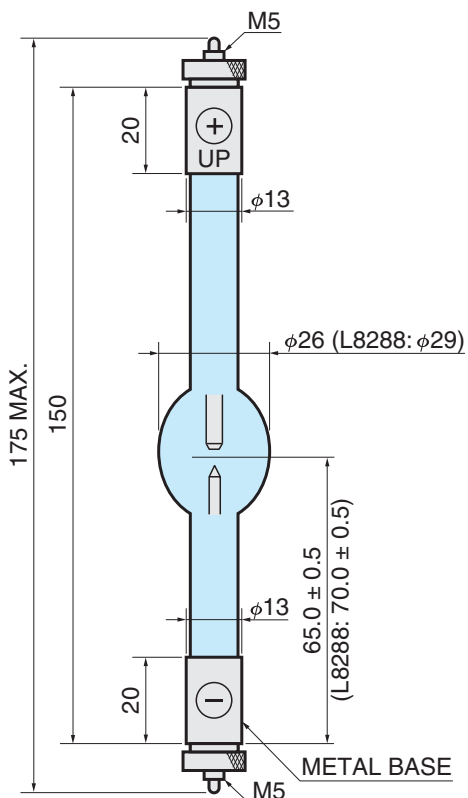
TLSXA0103EB

6 SUPER-QUIET MERCURY-XENON LAMP: L8706



TLSXA0092EC

**7 SUPER-QUIET XENON LAMP: L2479
SUPER-QUIET MERCURY-XENON LAMP: L2483, L8288**



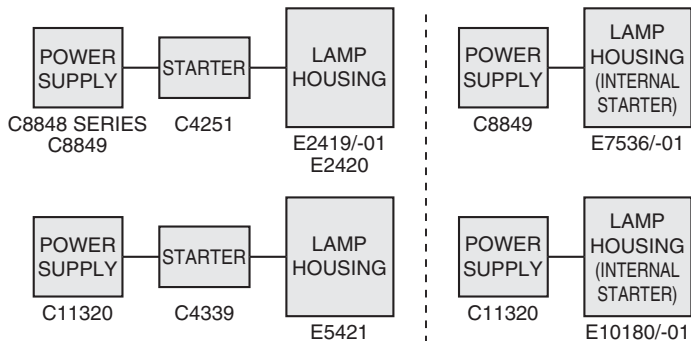
TLSXA0104EB

POWER SUPPLY + STARTER + LAMP HOUSING COMBINATIONS

	Power supply type No.	Starter type No.	Lamp housing type No.
①	C8848	C4251	E2419/-01
②	C8848-00-57		
③	C8849-00-70		
④	C8849	—	E7536/-01 [Ⓐ]
⑤	C8849	C4251	E2420
⑥	C11320	—	E10180/-01 [Ⓐ]
⑦	C11320	C4339	E5421

NOTE: [Ⓐ]Has an internal starter.
See also pages 9, 12 and 13.

STRUCTURES



POWER SUPPLY

Lamps used as the light source for high precision photometry must provide stable light output intensity. We recommend using Hamamatsu dedicated power supplies, which produce the maximum lamp performance, for lamp operation. We also provide OEM power supplies according to your application, so please feel free to consult us.



▲Left: C8848, C8849
Right: Starter C4251 (sold separately)

Power supply											Starter ^(A) (sold separately)	
Type No.	Control method	Suitable lamp rating (W)	Suitable lamp current ^(A) (A dc)	Input voltage (V ac)	Discharge current stability (at 25 °C)		Dimension ^(B) W × H × D (mm)	Weight (kg)	Start method ^(C)	Note	Type No.	Dimension ^(B) W × H × D (mm)
					Drift Max. (%/h)	Ripple (p-p) Max. (%)						
C8848	Switching constant current	35 to 75 (Xenon) 50 to 100 (Mercury-xenon)	3.5 / 5.4 / 5.5	100 to 240	±0.1	0.1	144 × 90 × 282	2.7	Manual ^(D)	CE marking compliance With time counter	C4251	100 × 60 × 89
C8848-00-57		35 to 75 (Xenon) 50 to 75 (Mercury-xenon)	3.5 / 5.4 / 5.7									
C8849-00-70		100 to 150 (Xenon) 200 (Mercury-xenon)	7.0 / 8.0 / 8.5									
C8849		150 (Xenon) 150 to 200 (Mercury-xenon)	7.5 / 8.0 / 8.5									
C11320	Dropper constant current	300 (Xenon) 350, 500 (Mercury-xenon)	14 / 15 / 20	100			165 × 272 × 360	21			C4339	111 × 65 × 102

NOTE: (A) Use the output current selector switch to set this.

(B) Excluding projecting parts.

(C) There are 2 modes for triggering.

Manual mode: Turn "Lamp on" switch on manually after "Power" switch, then ignite lamp. This manual mode should be suitable for laboratory experiments.

Auto mode: The lamp turns on automatically when "Power" switch is turned on. Auto mode should be suitable for production line or installation to equipment.

(D) Selectable for auto mode.

(E) Power supplies should be used in combination with a starter (sold separately) or lamp housing (See "POWER SUPPLY + STARTER + LAMP HOUSING COMBINATIONS" and "STRUCTURES" on page 11.).

CAUTION: These power supplies use a trigger mode in which a positive high voltage is supplied. Use extreme caution concerning the insulation.

LAMP HOUSING

Hamamatsu provides various lamp housings to make our lamps easier to use. Besides using a stable power supply, it is also essential to use a proper lamp housing to extract full performance from the lamps and obtain stable light output.

Four models of lamp housings are currently available. Among these, the E7536 and E10180 are designed for high accuracy yet easier handling, while the E2419, E2420 and E5421 feature simplified designs.

The E7536 and E10180 have an internal reflecting mirror and light output lens to provide high intensity. The built-in interlock function, starter and cooling fan enhance safety, for example, the surface temperature on the housing is kept below +40 °C during operation. The optical axis can be easily aligned with the adjuster screws from the outside of the housing.

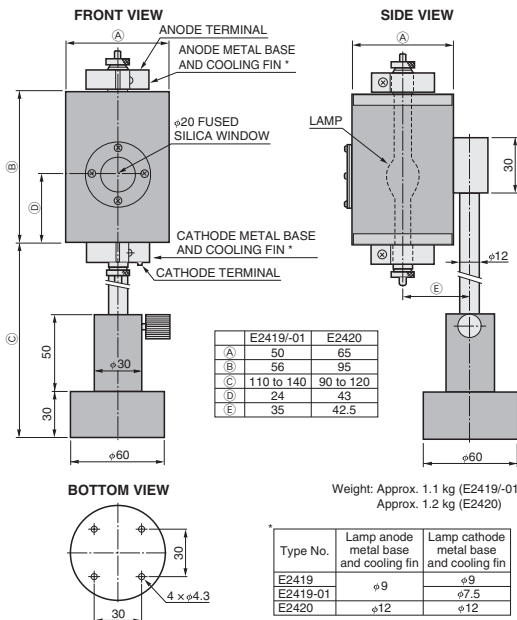


▲E7536

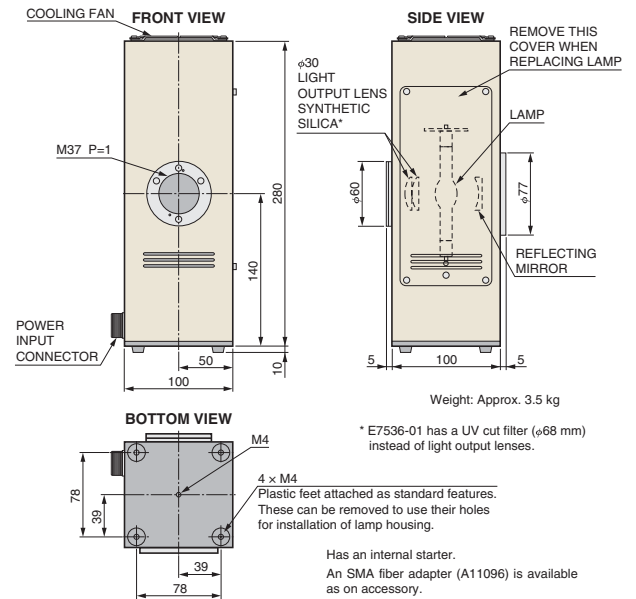
TLSXF0129

●DIMENSIONAL OUTLINES (Unit: mm)

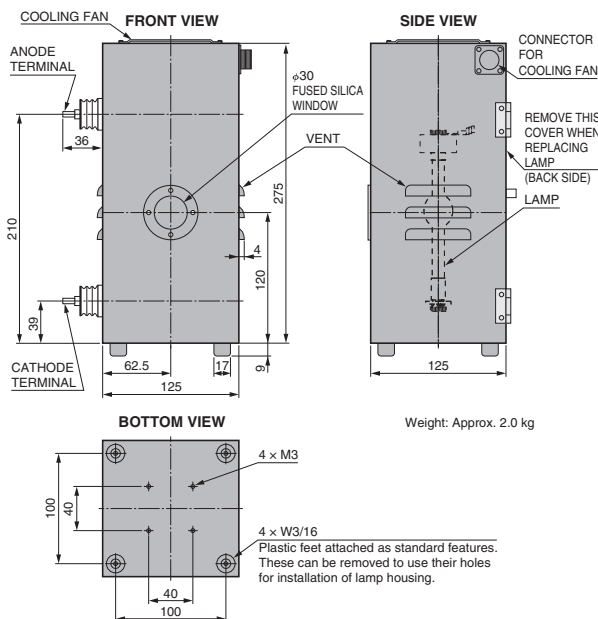
E2419/-01 (For 35 W, 50 W, 75 W and 100 W lamps) E2420 (For 150 W and 200 W lamps)



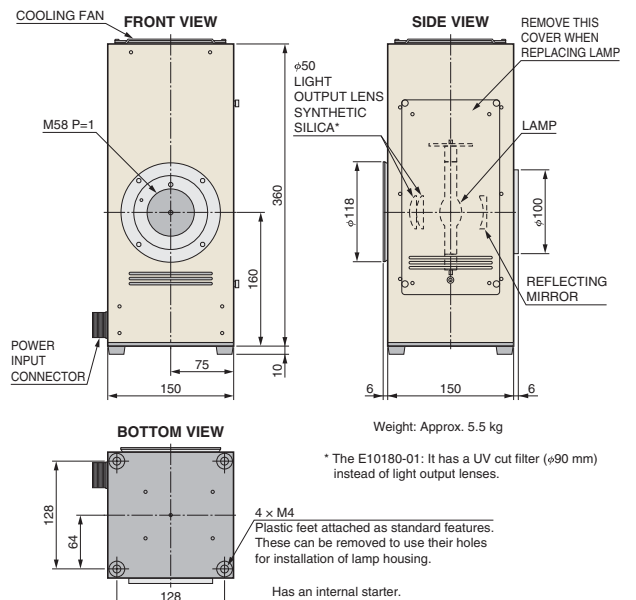
E7536/-01 (For 150 W and 200 W lamps)



E5421 (For 300 W, 350 W and 500 W lamps)



E10180/-01 (For 300 W, 350 W and 500 W lamps)



HANDLING PRECAUTION (Be sure to read before using lamp)

●INSTALLATION PRECAUTIONS

1. Always handle the lamp very carefully.

The bulb is filled with high pressure gas (approx. 1 MPa at room temperature and approx. 4 MPa during operation). Subjecting the lamp to strong shocks or scratching the surface of the bulb might rupture the bulb, causing hazards from flying glass fragments.

When handling the lamp, always wear a protective mask, long-sleeved shirt and gloves for safety.

Keep the specified package that came supplied with the lamp, because it will be used for lamp replacement.

2. Never touch the bulb with bare hands.

Operating the lamp with dust or grime still on the bulb causes it to thermally stick on the bulb and cuts the light transmittance. This results in low light output intensity and also lowers the mechanical strength of the glass bulb. If dust or grime adheres to the bulb, gently wipe it off the bulb using absorbent cotton or gauze moistened with high-quality alcohol and thoroughly wrung out. In such cases, use a proper protective mask, shirt and gloves mentioned above and take care not to apply any strong shocks to the lamp.

3. Install the lamp in a correct direction and polarity. (See Figure 16.)

Operating the lamp while installed in the wrong direction or polarity will damage the cathode, leading to permanent lamp defects.

[Vertical lighting]

To install the lamp in an upright position, make sure that the "UP" or "+" mark (anode mark) scribed on the metal base is positioned facing upwards.

[Horizontal lighting]

To install the lamp in a horizontal position, make sure that the sealed-off tip is positioned parallel to ground (horizontal plane). Use a magnet to make adjustments so that the arc discharge stays along the center line of both electrodes. To obtain adequate performance from the lamp, it is essential to set the arc point at the correct position by using a proper magnet. (See Figure 17.)

Figure 16: Lamp installation direction and polarity

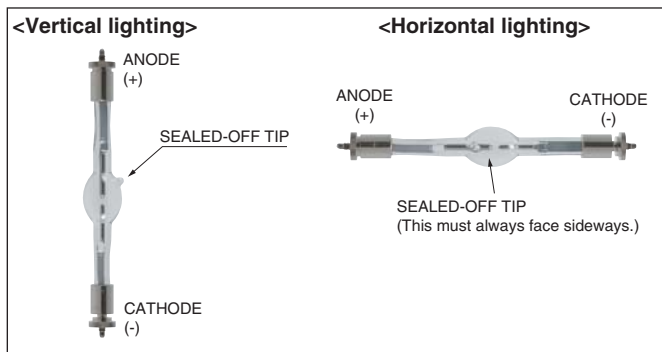


Figure 17-1

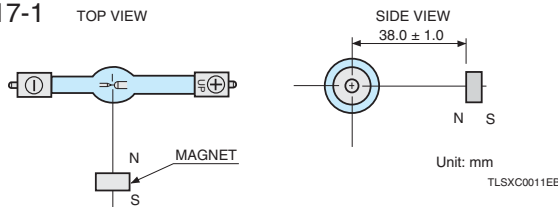
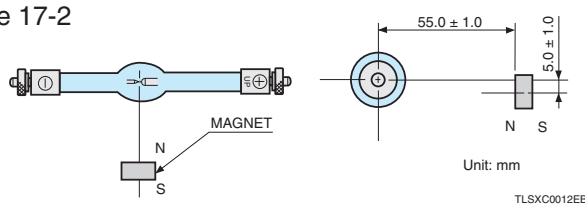


Figure 17-2



Power consumption	Residual magnetic flux density (mT)	Distance*1 (mm)	Magnet example*2	Position (direction)
35 W to 100 W	380 to 420	38.0 ± 1.0	E5203 φ10 mm (5 mm thickness)	See Figure 17-1
150 W to 300 W	360 to 390	55.0 ± 1.0	E5203-01 φ15 mm (7 mm thickness)	See Figure 17-2

*1 Distance from the center of arc to the surface of magnet.

*2 The minimum lot size is 10.

●OPERATING PRECAUTIONS

4. Observe high voltage and high temperature precautions.

Lamps discharge starts by application of a high trigger voltage of 20 kV to 30 kV. Sufficient insulation must be installed to prevent electrical shocks.

When the lamp is used near equipment such as a PC (personal computer) which is vulnerable to noise, start the computer operation after the lamp has already been turned on.

The lamp is extremely hot during operation and also immediately afterwards, so do not touch the lamp with bare hands and do not let the lamp get close to flammable materials.

Never open the cover of the lamp housing during operation since the lamp is at an extremely high temperature.

If you have to open the cover, always use protective gear. (Refer to item 1.)

5. Observe UV radiation precautions.

These lamps emit UV radiation which is harmful to the eyes and skin. Avoid looking directly at an operating lamp or exposing the skin directly to it since there is danger of burns to the skin or eyes.

Always wear a light-shielding protector (ISO 4849 or equivalent standard) during lamp operation.

6. Always observe the specified values.

The current is specified for each lamp type. (See "SPECIFICATIONS" on pages 8 and 9.) If used outside the specified range, operation will become unstable and the service life will be shortened drastically. Forced air cooling by fan is necessary for lamps of 250 W or more.

7. We recommend replacing the lamp by the guaranteed life. If using the lamp for longer than this period, replace it when the total operating time exceeds the average life plus 500 hours (plus 300 hours for 500 W super-quiet mercury-xenon lamps), or when the inner wall of the bulb becomes extremely dark.

When the total operating time exceeds the average life plus 500 hours (plus 300 hours for 500 W mercury-xenon lamps), vaporization and spattering from the electrodes will adhere to the inner wall of the bulb, and speed up blackening of the bulb as well as disturbing heat dissipation. If this lamp is used continuously, the temperature (gas pressure) inside the lamp bulb increases abnormally, possibly causing the lamp to rupture or break.

8. Observe ozone precautions.

As ozone is generated when the lamp is turned on, provide adequate ventilation.

●PRECAUTIONS WHEN REMOVING

9. Place the used lamp in the specified package that came supplied with the lamp.

When removing a used lamp from the lamp housing, be sure to wait until the lamp cools to room temperature and wear a protective mask, long-sleeved shirt and gloves for safety.

High pressure gas remains inside a bulb even in a used lamp. Subjecting the lamp to strong shocks or scratching the surface of the bulb may cause the bulb to rupture, so handle the used lamp as carefully as you would a new lamp.

10. Disposal of lamps.

Bulbs are filled with high pressure (approx. 1 MPa at room temperature) xenon gas (xenon gas and mercury in mercury-xenon lamps).

When disposing of the used lamp, take appropriate measures in compliance with applicable regulations regarding waste disposal and correctly dispose of it yourself, or entrust disposal to a licensed industrial waste disposal company.

In any case, be sure to comply with the regulations in your country, state, region or province to ensure the used lamp is disposed of legally and correctly.

●CAUTION ITEMS WHEN DESIGNING LAMP HOUSINGS

A. The lamp housing must have a sturdy cover.

The bulb is filled with high pressure gas (approx. 1 MPa at room temperature and approx. 4 MPa during operation). Lamp housings must have a sturdy cover (enclosure) to avoid possible breakage.

B. Clamp the lamp only at one end of the lamp. Leave the other end unclamped.

(See Figure 18.)

The bulb expands from heat during operation. So if both metal base electrodes of the lamp are clamped by holders made of a hard material or having a rigid, inflexible frame, the glass bulb may eventually rupture. Always clamp the lamp at one end to permit the lamp to absorb thermal expansion. Leave the other end of the lamp unclamped. When designing the lamp housing, also be sure to note the operating temperature at the metal bases of the lamp. (Refer to item D.)

C. Use caution when focusing the light, so that the lamp operating temperature will not rise abnormally.

When focusing the light from the lamp with a mirror or other means, be sure not to focus it onto the bulb wall or electrodes. Doing so increases the lamp operating temperature excessively.

Always be careful with the lamp operating temperature when using a condenser mirror. (See Item D.)

D. Use caution to avoid excessive temperature rise during operation. (See Figure 18.)

The lamp should be operated at less than 750 °C on the bulb surface and at less than 200 °C on the metal base surface.

If the lamp operating temperature exceeds these upper limits, "oxidation of electrode leads" and "excessive wear on electrodes or consumption of enclosed gas" may occur, leading to a significant reduction in lamp life. In addition, the gas pressure inside the bulb may rise abnormally, possibly causing cracks or breakage in the glass portion around the leads. Allow for a safety margin for thermal heat emitted from the lamp housing and provide a structure or use materials that efficiently dissipate or conduct away heat. Do this, for example, by attaching a heatsink to the anode metal base.

If the lamp holder makes poor contact with the metal base or contact resistance increases due to an oxidized contact piece, the lamp operating temperature will rise abnormally. Take sufficient precautions to avoid this.

Forced air cooling by fan is necessary for lamps of 250 W or more. The cooling fan must be designed to continue operation for 3 minutes to 5 minutes even after the lamp is turned off so that the fan will not stop during lamp operation.

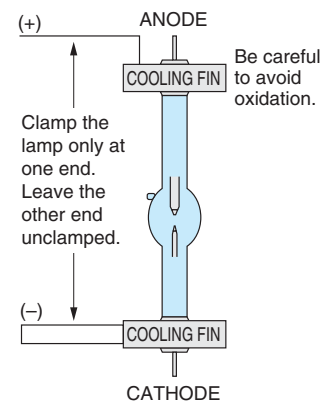
E. Maintain adequate insulation to avoid trigger voltage leakage.

Use high quality insulation materials and maintain sufficient insulation gaps since an extremely high trigger voltage of 20 kV to 30 kV is applied to the lamp for start-up. (An insulation gap of 1 cm will withstand only about 10 kV, though this also depends on relative humidity. We recommend an insulation gap of at least 3 cm.)


Use a power supply cable capable of withstanding high voltages more than 30 kV. To avoid electrical leakage from the cable surface, do not bundle it up during wiring. The power cable layout should be as short as possible, and should not be passed through a metal opening (or should not be in contact with a metal surface) of the chassis or enclosure.


If such a cable layout is not practical, use high-quality silicon insulating tube to cover the power cable, or install insulating material around the metal opening (or metal surface).

Figure 18



TL5XC0049EB

 WARNING	<ul style="list-style-type: none"> ● Lamps emit UV radiation. Never stare directly into the operating lamp. <ul style="list-style-type: none"> • UV radiation will irritate the eyes and might impair eyesight. ● Do not allow skin to be exposed to UV radiation. <ul style="list-style-type: none"> • UV radiation may cause skin inflammation. ● Do not bring the lamp close to any flammable materials such as cloth or paper. <ul style="list-style-type: none"> • Doing so might cause fires. ● The lamp remains at high temperatures during and shortly after operation. Never let any part of the heated lamp come in contact with your hands or skin. <ul style="list-style-type: none"> • The heated lamp will cause burns. ● Be careful not to drop the lamp, subject it to impacts, apply excessive force or scratch it, because the gas pressure inside the bulb is very high and might cause it to rupture. <ul style="list-style-type: none"> • Injury may result if the lamp is broken. ● Always operate the lamp after installing it in the lamp housing. <ul style="list-style-type: none"> • Injury may result if the lamp is broken. ● Always turn off the power supply when installing or removing the lamp, or when cleaning the lamp or housing. <ul style="list-style-type: none"> • Failure to do this may result in electrical shocks, pain in the eyes, damage to eyesight or skin burns.
---	---

 CAUTION	<ul style="list-style-type: none"> ● As ozone is generated when the lamp is turned on, provide adequate ventilation. <ul style="list-style-type: none"> • Ozone can cause respiratory disorders and the like. ● Install the lamp in the correct direction and polarity. <ul style="list-style-type: none"> • Incorrect installation might damage the lamp. ● Be sure to use a power supply that provides an optimal current value for the lamp. <ul style="list-style-type: none"> • Using the wrong power supply might cause overheating and damage the lamp. ● Do not use the lamp in damp locations subject to raindrops or water droplets, high humidity, etc. <ul style="list-style-type: none"> • Operating the lamp in high humidity may result in electrical shocks or damage the lamp. ● Always wear a protective mask and garment when installing or removing the lamp. <ul style="list-style-type: none"> • If broken, exploding glass fragments may cause injury.
---	--

WARRANTY Lamps are warranted for a period of one year from the date of delivery. If a lamp is found to be defective within this warranty period, Hamamatsu will replace the defective lamp without charge. (This warranty is limited to replacement of the defective lamp.) Even if within the warranty period (one year), the warranty shall not apply to cases where the lamp operation time has exceeded the guaranteed life, or the trouble was caused by incorrect operation or natural or man-made disasters.

APPLICATION PRODUCTS

CALIBRATED LIGHT SOURCE L7810-02

These light sources deliver the extremely high levels of "stability" and "repeatability" essential to a calibrated light source. These are available as an optimal set including a lamp, lamp housing and power supply, so that anyone can easily reproduce a highly stable light output. A calibration certificate with a Japan Calibration Service System (JCSS) logo for spectral irradiance over a wide range from 200 nm to 800 nm is included.



Left: Lamp housing, Right: Power supply

RELATED PRODUCTS

SUPER-QUIET XENON FLASH LAMP

Xenon flash lamps feature a compact construction, lower heat generation, and stable output with instantaneously higher peaks compared to xenon lamps.

Hamamatsu provides various types of xenon flash lamps such as the SQ type with high stability, the HQ type for general use (with similar features as the SQ type), a high power type with a built-in reflector that can attain about four times the light level of previous lamps, 20 W and 60 W types that uses a metal can for the bulb to increase the output.

Our lineup also includes modules that integrate the lamp, trigger socket, power supply, and the like.



Subject to local technical requirements and regulations, availability of products included in this promotional material may vary. Please consult with our sales office.

Information furnished by HAMAMATSU is believed to be reliable. However, no responsibility is assumed for possible inaccuracies or omissions. Specifications are subject to change without notice. No patent rights are granted to any of the circuits described herein. ©2017 Hamamatsu Photonics K.K.

HAMAMATSU PHOTONICS K.K. www.hamamatsu.com

HAMAMATSU PHOTONICS K.K., Electron Tube Division

314-5, Shimokanzo, Iwata City, Shizuoka Pref., 438-0193, Japan, Telephone: (81)539/62-5248, Fax: (81)539/62-2205

U.S.A.: Hamamatsu Corporation: 360 Foothill Road, Bridgewater, N.J. 08807-0910, U.S.A., Telephone: (1)908-231-0960, Fax: (1)908-231-1218 E-mail: usa@hamamatsu.com

Germany: Hamamatsu Photonics Deutschland GmbH: Arzbergerstr. 10, D-82211 Herrsching am Ammersee, Germany, Telephone: (49)8152-375-0, Fax: (49)8152-2658 E-mail: info@hamamatsu.de

France: Hamamatsu Photonics France S.A.R.L.: 19, Rue du Saule Trapu, Parc du Moulin de Massy, 91882 Massy Cedex, France, Telephone: (33)1 69 53 71 00, Fax: (33)1 69 53 71 10 E-mail: infos@hamamatsu.fr

United Kingdom: Hamamatsu Photonics UK Limited: 2 Howard Court, 10 Tewin Road, Welwyn Garden City, Hertfordshire AL7 1BW, United Kingdom, Telephone: (44)1707-294888, Fax: (44)1707-325777 E-mail: info@hamamatsu.co.uk

North Europe: Hamamatsu Photonics Norden AB: Torshamnsgatan 35 SE-164 40 Kista, Sweden, Telephone: (46)8-509-031-00, Fax: (46)8-509-031-01 E-mail: info@hamamatsu.se

Italy: Hamamatsu Photonics Italia S.r.l.: Strada della Moia, 1 int. 6, 20020 Arese (Milano), Italy, Telephone: (39)02-93581733, Fax: (39)02-93581741 E-mail: info@hamamatsu.it

China: Hamamatsu Photonics (China) Co., Ltd.: B1201 Jianning Center, No.27 Dongsanhuan Beilu, Chaoyang District, Beijing 100020, China, Telephone: (86)10-6586-6006, Fax: (86)10-6586-2866 E-mail: hpc@hamamatsu.com.cn

Taiwan: Hamamatsu Photonics Taiwan Co., Ltd.: 8F-3, No.158, Section2, Gongdao 5th Road, East District, Hsinchu, 300, Taiwan R.O.C. Telephone: (886)03-659-0080, Fax: (886)07-811-7238 E-mail: info@tw.hpk.co.jp

TLS 1016E01
FEB. 2017 IP
(1000)