

This grazing angle specular reflectance accessory focuses on obtaining high quality spectra quickly and efficiently. It is excellent for examining a variety of films and coatings on metals or other reflective substrates. The Focus™ features a 75° incident angle and a built-in Si polarizer for grazing angle measurements with high spectral contrast. Its convenient horizontal sample stage and condensed beam make it perfect for examining a wide variety of sample sizes and shapes. The Focus™ features PermaPurge™ for rapid sample and crystal exchange without interrupting the purge of the spectrometer. For applications versatility, the Focus™ can readily be adapted for multiple reflection ATR experiments.

Applications

Ideal for examining coatings on mirrors and other reflective substrates.

Excellent for small and large samples.

Invaluable for QC applications.

Features

75° grazing incident angle.

Built-in silicon polarizing plate for optimal spectral contrast.

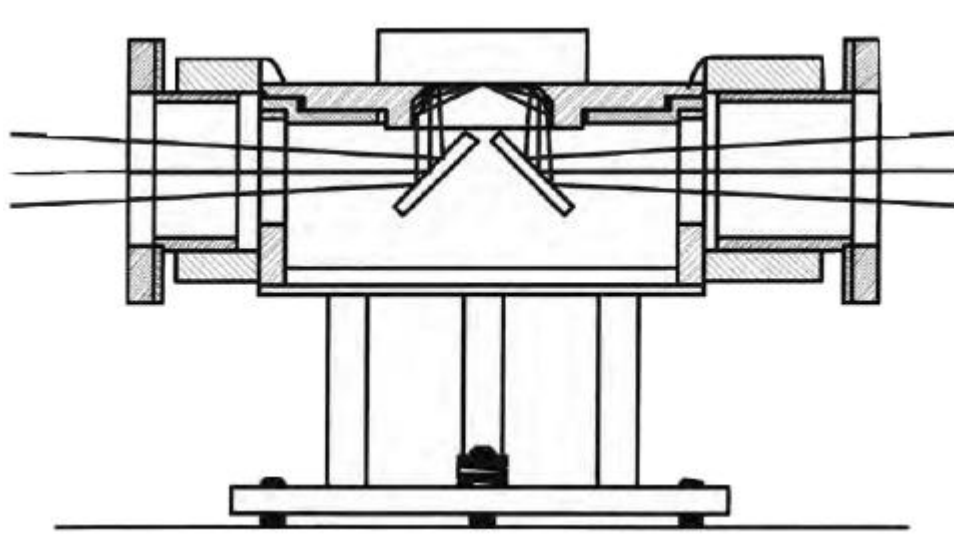
Convenient horizontal stage.

High sample throughput.

Small sampling area.

Optional upgrade for multiple reflection ATR.

Harrick's exclusive PermaPurge™ allows rapid sample without interrupting the purge of the system.



Includes

Built-in polarizer.

Mating hardware for the specified spectrometer.