

6410 Series

FEATURES

- > High efficiency
- > Smooth, continuous liquid flow with minimized pulses
- > Bubble-free transfer of media
- > Excellent reliability and durability even with corrosive and abrasive media
- > Flexible design for customized solutions

TYPICAL APPLICATIONS

- > Continuous Inkjet (CIJ)
- > Drop-on-Demand Inkjet (DOD)
- > In-Vitro Diagnostics (IVD)

BASE MODEL

6410 DC

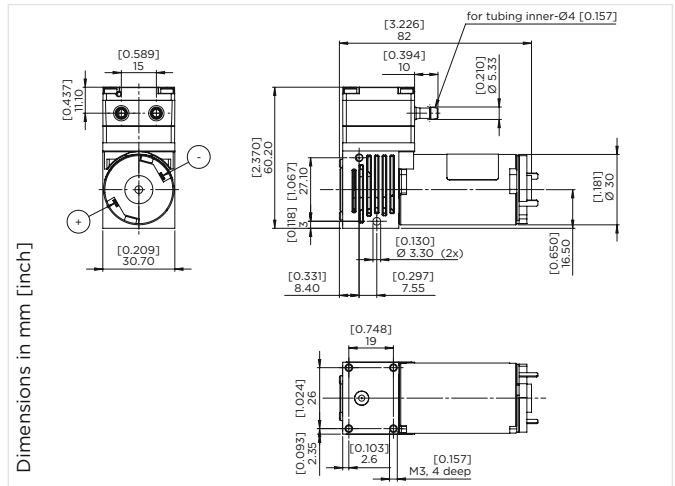
6410 BLDC



Diaphragm

Diaphragm Liquid Pump 6410 DC

Flow	700 ml/min
Pressure height	10 m H₂O
Suction height	3 m H₂O



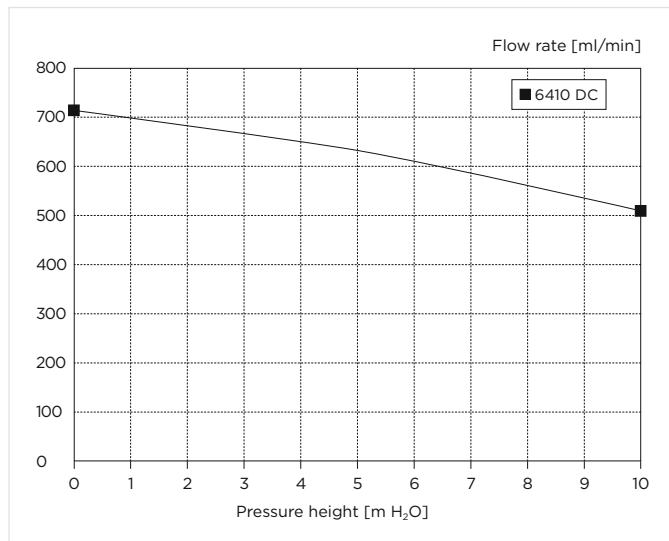
HYDRAULIC DATA		
Description	6410 DC PP/PTFE/FFKM	
Part number	12 V DC	6410 0103
	24 V DC	6410 0003
Free flow	700 ml/min	
Max. continuous pressure height	10 m H ₂ O	
Max. suction height	3 m H ₂ O	

ELECTRICAL DATA	
Motor type	Permanent magnet
Nominal speed @ 10 m H ₂ O	3100 rpm
Nominal voltage	12/24 V DC
Max. nominal power consumption @ 10 m H ₂ O	6 W
Motor insulation class	E
Protection class	IP00
EMC protection	Yes

GENERAL DATA	
Ambient temperature	5 to 40 °C
Media temperature	5 to 80 °C
Weight	190 g

WETTED PARTS	
Pump head	PP with hose barbs
Diaphragm	PTFE
Valve plate	FFKM
Resonating diaphragm	PTFE

FLOW CURVES



OPTIONS

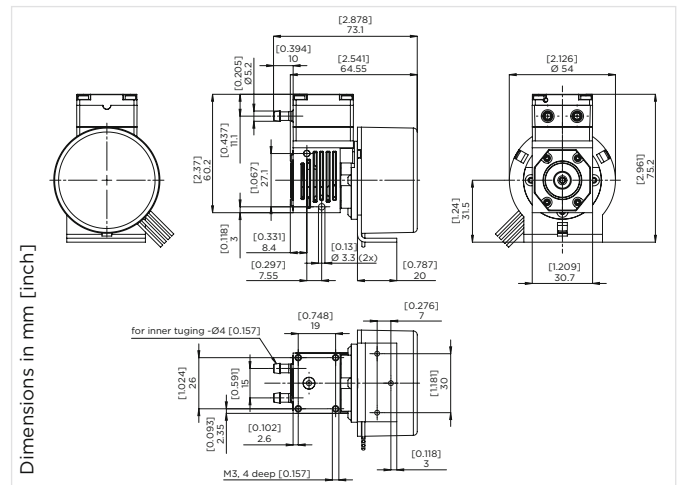
- Pump head with compression fittings (tubing ID 4 mm / OD 6 mm)
- Diaphragm FFKM
- Polypropylene pump head optimized for low UV-light transmittance

The technical data is based on the use of PTFE measuring tubes Shore D 55, 6 x 1 mm (O.D. x wall thickness), 65 cm length / 8 x 1 mm, 15 cm length / 6 x 1 mm, 10 cm length. The use of a different tubing will change the flow.

6410... Stock programme

Diaphragm Liquid Pump 6410 BLDC

Flow	700 ml/min
Pressure height	10 m H₂O
Suction height	3 m H₂O



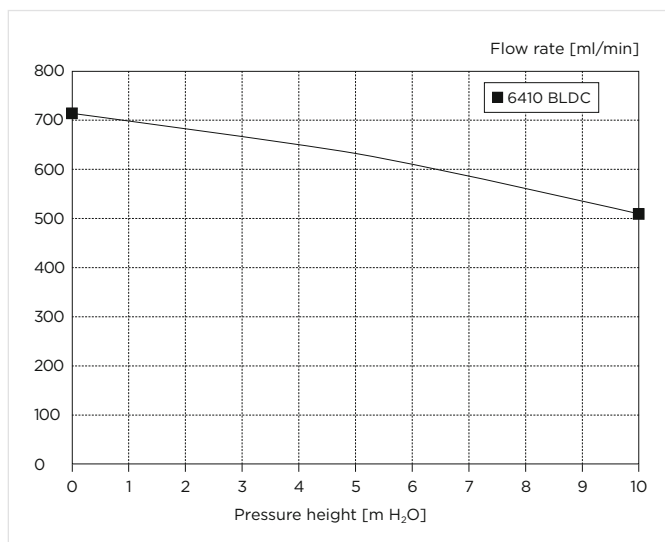
HYDRAULIC DATA		
Description	6410 BLDC HP PP/PTFE/FFKM	
Part number	12 V DC	6410 0104
	24 V DC	6410 0004
Free flow	700 ml/min	
Max. continuous pressure height	10 m H ₂ O	
Max. suction height	3 m H ₂ O	

ELECTRICAL DATA	
Motor type	Brushless DC
Nominal speed @ 10 m H ₂ O	3500 rpm
Nominal voltage	12/24 V DC
Max. nominal power consumption @ 10 m H ₂ O	6 W
Motor insulation class	F
Protection class	IP30
EMC protection	Yes

GENERAL DATA	
Ambient temperature	5 to 40 °C
Media temperature	5 to 80 °C
Weight	295 g

WETTED PARTS	
Pump head	PP with hose barbs
Diaphragm	PTFE
Valve plate	FFKM
Resonating diaphragm	PTFE

FLOW CURVES



Pin	Function	Color	Control
1	V Supply	Red	12 V DC (10 - 18 V DC, reverse polarity protected) 24 V DC (14 - 28 V DC, reverse polarity protected)
2	Ground	Blue	Ground for V Supply (Pin 1) and Speed control (Pin 3)
3	Speed control	White	Analog: 0... 5 VDC (max. 30 V) Speed voltage input threshold: 1.0 V
4	Tacho out	Green	Output level "LOW": 0 / max. 0.5 V Output level "HIGH": min. 4.2 V / max. 5.5 V

OPTIONS	
Pump head with compression fittings (tubing ID 4 mm / OD 6 mm)	
Diaphragm FFKM	
Polypropylene pump head optimized for low UV-light transmittance	

The technical data is based on the use of PTFE measuring tubes Shore D 55, 6 x 1 mm (O.D. x wall thickness), 65 cm length / 8 x 1 mm, 15 cm length / 6 x 1 mm, 10 cm length. The use of a different tubing will change the flow.

6410... Stock programme



PUMP AND COMPRESSOR SOLUTIONS FOR OEMS WORLDWIDE

gd-thomas.com



Gardner Denver Thomas GmbH

Livry-Gargan-Str. 10
82256 Fürstenfeldbruck
Germany

T +49 8141 2280 0
F +49 8141 8892136

thomas.de@gardnerdenver.com

Gardner Denver Thomas, Inc.

1419 Illinois Avenue
Sheboygan, WI 53081
USA

T +1 920 4574891
F +1 920 4514276

td.usa@gardnerdenver.com

Gardner Denver Thomas Pneumatic Systems (Wuxi) Co., Ltd.

No. 1 New Dong An Road, Shuofang Town, Wuxi, Xinwu District
Jiangsu 214142
China

T +86 510 6878 2217
F +86 510 6878 2200

thomas.cn@gardnerdenver.com

The information presented in this material is based on technical data and test results of nominal units. It is believed to be accurate and reliable and is offered as an aid to help in the selection of Thomas products. It is the responsibility of the user to determine the suitability of the product for the intended use and the user assumes all risk and liability in connection therewith. Thomas does not warrant, guarantee or assume any obligation or liability in connection with this information.

Models presented in this catalog are representative of the product family. Photos of products pictured in this catalog do not necessarily represent a specific model number. To obtain further information for custom options, contact your local Thomas office.

Printed in Germany Form No. 17006410 02/2018 © Gardner Denver Thomas GmbH. All rights reserved.