

产品特点：

- 风速和风向
- 空气温度
- 相对湿度
- 大气压力
- 风速和风向
- 两路模拟输入
- PT100温度输入
- 数字输入（翻斗式雨量计）

MetPak Pro monitors the most essential weather parameters with the additional ability to connect up to four external measurement devices.

The system combines a Gill WindSonic ultrasonic wind speed & direction sensor, a highly accurate barometric pressure sensor and Rotronic Hydroclip temperature/humidity probe.

MetPak Pro contains additional inputs allowing for connection of a Pt100 temperature sensor, tipping bucket rain gauge (available from Gill) and two analogue sensors (water level sensor, pyranometer, pressure sensor, soil temperature sensor etc) and is supplied with selectable Gill ASCII, SDI-12 and Modbus outputs.

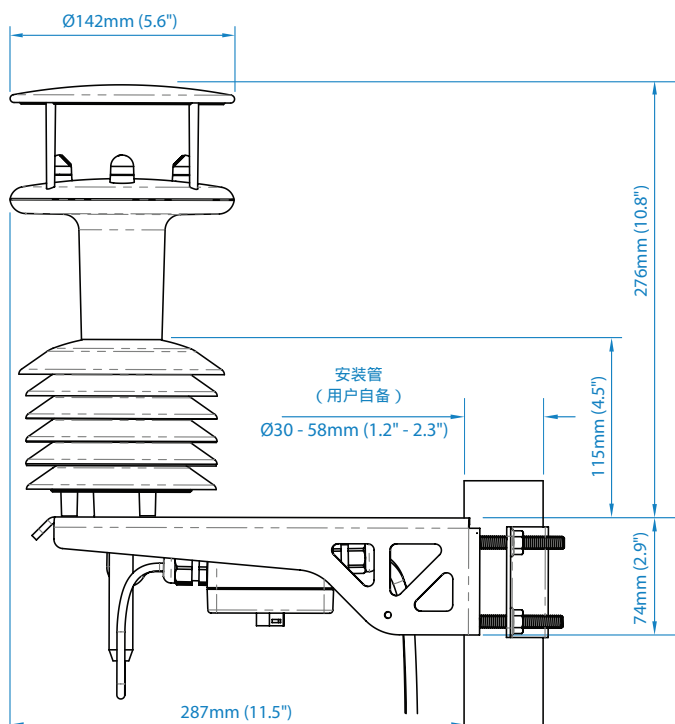


基础站点（可选）

通过MetPak Pro基础站点，用户可以连接翻斗式雨量计或者分体式风速风向传感器。请参考第3页风速风向传感器选项。



MetPak Pro



包括：

- MetSet配置软件
- MetView数据采集/查看软件
- 立杆安装配件
- 可选ASCII、SDI-12或Modbus输出

可选：

- MetPak Pro接线盒
通过MetPak Pro接线盒，其他选配的气象传感器可以很方便地接入到MetPak Pro上
- 加热器接线盒
方便连接分体的带加热的风传感器
- 连接线
- 翻斗式雨量计

风测量

参数	风速、风向，或者U V风速	
单位	m/s,knots,mph,kph,ft/min	
	风速	风向
测量范围	0- 60 m/s	0- 359 ° (无死区)
精度	± 2% @ 12 m/s	± 3 ° (@12 m/s)
分辨率	0.01 m/s	1 °

空气温度

空气温度	Pt100 1/3 Class B
测量范围	-50- +100
精度	± 0.1
分辨率	0.1
单位	或

相对湿度

测量范围	0- 100% RH
精度	± 0.8% @ 23
分辨率	0.1% RH
单位	% RH
温度补偿	

大气压力

测量范围	600- 1100 hPa
精度	± 0.5 hPa
分辨率	0.1 hPa
单位	hPa,bar, mmHg, inHg
温度补偿范围	-30- +70

露点温度

分辨率	0.1
单位	或
精度	± 0.15 (23 环境温度 @20 露点温度)

电源供应

电压	5- 30VDC
电流	小于26 mA @ 12VDC
SDI-12	
电压	一般12 VDC (9.6- 16VDC)
电流	小于12mA低功耗

输出

Digital outputs	RS232, RS422, RS485*, SDI-12 or Modbus (user selectable) * 2 wire point to point
Baud rates	4800-57600 (ASCII) or 1200 (SDI-12)
Protocols	ASCII, SDI-12 V 1.3, Modbus (RTU and ASCII)
Data output	1s, 2s, 4s or polled mode

输入

Analogue 1	0-5 V or 4-20mA loop or self powered
Analogue 2	0-5 V or 4-20mA loop or self powered
MetPak Pro A-D Conversion	12 bit resolution with an accuracy of ± 0.1% of reading +35µV offset
Pt100 Temperature Probe	4 Wire Pt100 conforms to IEC 60751
Digital	Contact closure for tipping bucket rain gauge Capable of capturing events up to 10Hz

环境

Protection class	IP65
EMC	EN 61326
Operating temperature	-35°C to +70°C
Storage temperature	-40°C to +80°C
Operating humidity	0% to 100% humidity

机械

External construction	UV stabilised white thermoplastic
Fittings	Anodised Aluminium bracket to allow fitting to 30mm to 58mm mast dimensions
Weight	2.1kg (including bracket)

软件

MetView	Free software for the display of data and logging
MetSet	Free software for the configuration of the MetPak, MetPak RG & MetPak Pro

可选附件

Cables	15m Power & Data cable USB Configuration cable
Hardware	Tipping Bucket Rain Gauge MetPak Pro Junction Box MetPak Pro Junction Box PCB MetPak Pro Junction Box Mounting Bracket Heater Interface Box

Specifications may be subject to change without prior notice.

MetPak Pro integrates industry leading products in a convenient, economical package allowing users to concentrate on the measurement rather than the quality of the measurement. Calibration services available from Gill.

Base Station

MetPak Pro is available as a Base Station which enables the system to be specified with a remote wind sensor if required. This sensor can be positioned away from the Base Station and a connection cable is provided.

The Base Station has been tested in accordance with BSEN 60945 and is suitable for use in marine environments. This system, which includes inputs for a Pt100 temperature sensor, tipping bucket rain gauge (available from Gill) and two analogue sensors, can also be specified without a wind sensor if wind measurement data is not required.

MetPak Pro can be specified with a wind sensor from any of the options shown below:

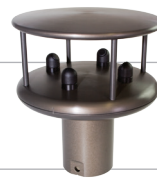


Sensor Options



WindSonic

For wind speed and direction measurements to 60 m/s. Corrosion free, polycarbonate housing.



WindSonic M

Wind speed and direction measurements to 60 m/s with heating and impact resistant to UL2218 Class 1 & BSEN 60945.



WindMaster

Three dimensional wind measurements up to 45 m/s in a lightweight carbon fibre/aluminium construction.



WindMaster PRO

Three dimensional wind measurement up to 65 m/s in a stainless steel housing.



WindObserver 70

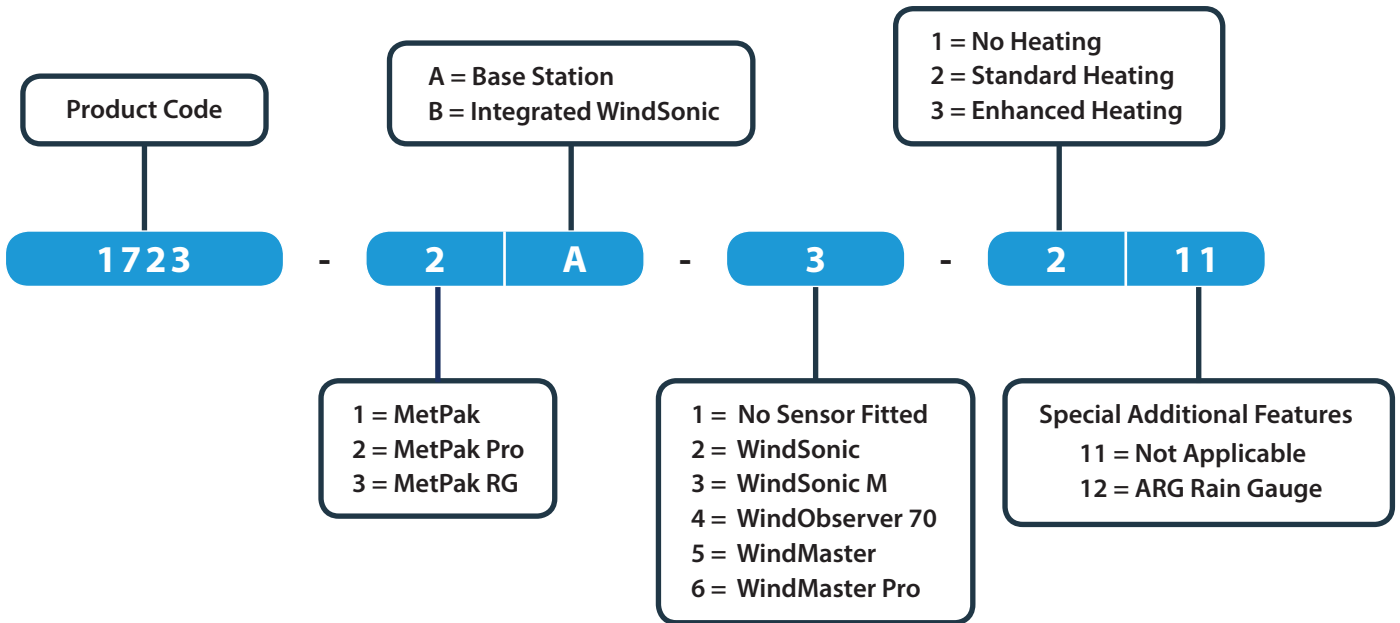
With enhanced heating and wind measurements up to 70 m/s for extreme conditions.



RAINGAUGE

ARG100 Professional quality tipping bucket Rain Gauge.

Product options may be model specific. Consult the Gill sales team for availability



Gill Instruments

Saltmarsh Park, 67 Gosport Street
Lymington, Hampshire SO41 9EG
United Kingdom

Tel: +44 (0) 1590 613 500
Fax: +44 (0) 1590 613 501
contact@gillinstruments.com



www.gillinstruments.com

1723-0011 Iss 5

Copyright © Gill Instruments 2015

Gill Instruments Limited, Reg No. 2281574

Registered Office: The George Business Centre, Christchurch Road, New Milton, BH25 6QJ