

精密实验室温度计, Enclosedscale 内标示
蓝色内充物, ACCU-SAFE

订货号	测量范围 (°C)	最小分度 (°C)	精度 (°C)	总长度 (mm)	浸入深度 (mm)
1042343S	-10 to +50	0.5	± 0.5	220	to tal
1042344S	-10 to +100	0.5	± 0.5	270	to tal
1042345S	-10 to +150	0.5	± 0.5	350	to tal
1042351S	-10 to +200	0.5	± 0.5	450	to tal
1042604S	-38 to +50	0.2	± 0.4	400	to tal
1042346S	-5 to +50	0.2	± 0.3	350	to tal
1042347S	-5 to +100	0.2	± 0.3	420	to tal
1042352S	-5 to +201	0.2	± 0.4	550	to tal
1042703S	-38 to +50	0.1	± 0.3	550	to tal
1042704S	-30 to +30	0.1	± 0.3	400	to tal
1042353S	-10 to +30	0.1	± 0.2	300	to tal
1042349S	-10 to +50	0.1	± 0.2	420	to tal
1042354S	0 to +100	0.1	± 0.2	550	to tal
1122904S	0 to +51	0.1	± 0.2	400	to tal
1122905S	+47 to +101	0.1	± 0.2	400	to tal
1122906S	+97 to +151	0.1	± 0.4	400	to tal
1122907S	+147 to +201	0.1	± 0.4	400	to tal

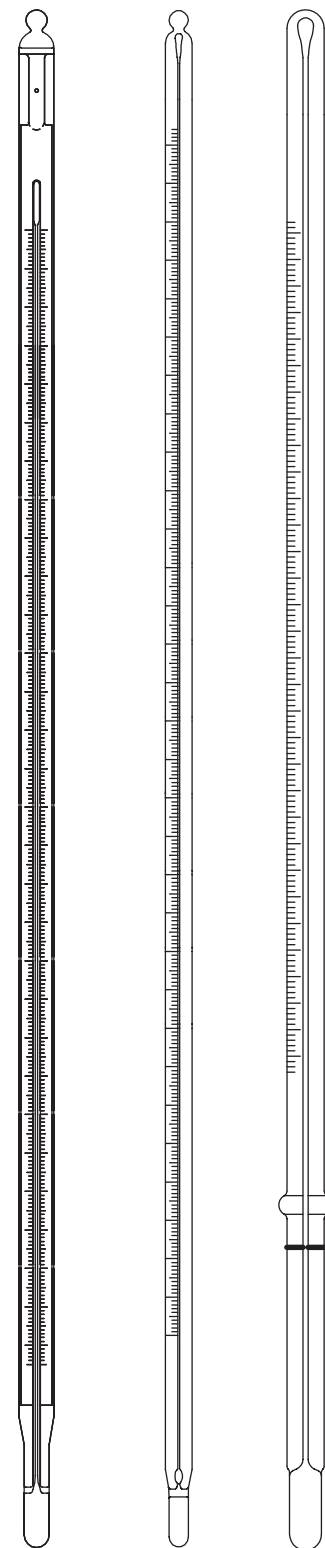
- 德国制造
- 适用于校准
- 温度计带序列号和合格证书
- 方形塑料套包装

精密实验室温度计, STEMFORM 棒式
蓝色内充物, ACCU-SAFE

订货号	测量范围 (°C)	最小分度 (°C)	精度 (°C)	总长度 (mm)	浸入深度 (mm)
1052105S	-38 to +50	5	± 0.5	320	to tal
1042373S	-10 to +50	5	± 0.5	240	to tal
1042374S	-10 to +100	5	± 0.5	290	to tal
1042375S	-10 to +150	5	± 0.5	370	to tal
1042380S	-1 to +201	5	± 0.5	480	to tal
1042376S	-5 to +50	2	± 0.3	370	to tal
1042377S	-5 to +100	2	± 0.3	440	to tal
1052303S	-38 to +50	1	± 0.3	570	to tal
1042384S	-10 to +30	1	± 0.2	320	to tal
1042379S	-10 to +50	1	± 0.2	440	to tal
1132004S	0 to +51	1	± 0.2	420	to tal
1132005S	+47 to +101	1	± 0.2	420	to tal
1132006S	+97 to +151	1	± 0.4	420	to tal
1132007S	+147 to +201	1	± 0.4	420	to tal

精密实验室温度计, STEMFORM,IP
蓝色内充物, ACCU-SAFE

订货号	类似 IP-Type	测量范围 (°C)	最小分度 (°C)	精度 (°C)	总长度 (mm)	浸入深度 (mm)
1212008S	8C	0 to +45	0.2	± 0.2	350	65
1212038S	38C	+23 to +27	0.1	± 0.1	270	to tal
1212039S	39C	-1 to +38	0.1	± 0.1	450	to tal
1212042S	42C	-38 to +30	0.5	± 0.5	380	250
1212049S	49C	-15 to +40	0.5	± 0.25	325	to tal
1212050S	50C	+10 to +65	0.5	± 0.25	325	to tal
1212051S	51C	+35 to +120	0.5	± 0.5	325	to tal
1212053S	53C	0 to +80	0.5	± 0.25	325	to tal
1212074S	74C	-35 to +70	0.5	± 0.5 / above 0 ± 0.2	325	61
1212075S	75C	-30 to +80	0.5	± 0.5	325	89
1212076S	76C	+10 to +55	0.5	± 0.25	250	93
1212091S	91C	0 to +110	1	± 0.5	215	44
1212100S**	100C	+78,6 to +81,4	0.05	± 0.1	325	to tal
2212101S	101C	+20 to +150	1	± 1	305	57



内标示

棒式

棒式 IP

** 温度计在 0°C 有辅助刻度

精密实验室温度计, STEM FORM ASTM 蓝色内充物, ACCU-SAFE

- 德国制造
- 适用于校准
- 温度计带序列号和合格证书
- 方形塑料套包装

订货号	类型	测量范围 (°C)	最小分度 (°C)	精度 (°C)	总长度 (mm)	浸入深度 (mm)
1202005S	S5C	-38 to +50	1	± 0.5	260	108
1202012S	S12C	-20 to +102	0.2	± 0.2	435	to tal
1202015S	S15C	-2 to +80	0.2	± 0.2	415	to tal
1202018S	S18C	+34 to +42	0.1	± 0.1	300	to tal
1202022S	S22C	+95 to +103	0.1	± 0.1	300	to tal
1202056S	S56C	+19 to +35	0.02	± 0.1	610	to tal
1202058S*	S58C	-34 to +49	0.5	± 0.3	300	to tal
1202059S*	S59C	-18 to +82	0.5	± 0.3	300	to tal
1202062S	S62C	-38 to +2	0.1	± 0.1	401	to tal
1202063S	S63C	-8 to +32	0.1	± 0.1	401	to tal
1202064S**	S64C	+25 to +55	0.1	± 0.1	401	to tal
1202065S**	S65C	+50 to +80	0.1	± 0.1	401	to tal
1202066S**	S66C	+75 to +105	0.1	± 0.1	401	to tal
1202067S**	S67C	+95 to +155	0.2	± 0.2	401	to tal
1202091S	S91C	+20 to +50	0.1	± 0.1	390	76
1202116S	S116C	+18.9 to +25.1	0.01	± 0.1	615	to tal
1202117S	S117C	+23.9 to +30.1	0.01	± 0.1	615	to tal
1202120S**	S120C	+38.6 to +41.4	0.05	± 0.1	300	to tal
1202130S	S130C	-7 to +105	0.5	± 0.5	300	to tal

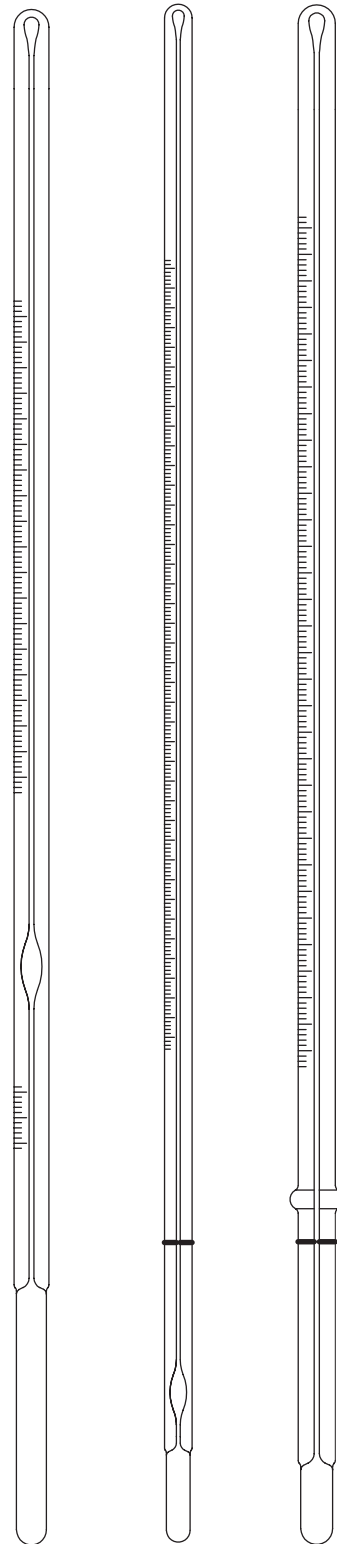
* 毛细管形式: 棱柱型

** 温度计在 0°C 有辅助刻度

订货号	类型	测量范围 (°F)	最小分度 (°F)	精度 (°F)	总长度 (mm)	浸入深度 (mm)
1205005S	S5F	-36 to +120	2	± 1	260	108
1205012S	S12F	-5 to +215	0.5	± 0.3	435	to tal
1205015S	S15F	+30 to +180	0.5	± 0.4	415	to tal
1205018S	S18F	+94 to +108	0.2	± 0.2	300	to tal
1205022S	S22F	+204 to +218	0.2	± 0.2	300	to tal
1205056S	S56F	+66 to +95	0.05	± 0.2	610	to tal
1205058S*	S58F	-30 to +120	1	± 0.5	300	to tal
1205059S*	S59F	0 to +180	1	± 0.5	300	to tal
1205062S	S62F	-36 to +35	0.2	± 0.2	401	to tal
1205063S	S63F	+18 to +89	0.2	± 0.2	401	to tal
1205064S**	S64F	+77 to +131	0.2	± 0.2	401	to tal
1205065S**	S65F	+122 to +176	0.2	± 0.2	401	to tal
1205066S**	S66F	+167 to +221	0.2	± 0.2	401	to tal
1205067S**	S67F	+203 to +311	0.5	± 0.5	401	to tal
1205130S	S130F	+20 to +220	1	± 0.5	300	to tal

* 毛细管形式: 棱柱型

** 温度计在 +32 °F 有辅助刻度



精密实验室温度计, STEMFORM
ASTM-LIKE- 蓝色内充物 ,ACCU-SAFE

- 德国制造
- 适用于校准
- 温度计带序列号和合格证书
- 方形塑料套包装

订货号	类型 likeASTM-Type	测量范围 °C	最小分度 °C	精度 °C	总长度 mm	浸入深度 mm
1202001S	1C	-20 to +150	1	± 0.5	335	76
1202009S	9C	-5 to +110	0.5	± 0.5	305	57
1202013S	13C	+155 to +170	0.5	± 0.5	175	to tal
1202014S	14C	+38 to +82	0.1	± 0.1	390	79
1202016S	16C	+30 to +200	0.5	± 0.3 / above180 ± 1	415	to tal
1202017S	17C	+19 to +27	0.1	± 0.1	300	to tal
1202019S	19C	+49 to +57	0.1	± 0.1	300	to tal
1202020S	20C	+57 to +65	0.1	± 0.1	300	to tal
1202021S	21C	+79 to +87	0.1	± 0.1	300	to tal
1202023S	23C	+18 to +28	0.2	± 0.1	235	90
1202024S	24C	+39 to +54	0.2	± 0.1	255	90
1202025S	25C	+95 to +105	0.2	± 0.1	235	90
1202026S	26C	+130 to +140	0.1	± 0.2	480	to tal
1202027S	27C	+147 to +182	0.5	± 0.5	320	76
1202028S**	28C	+36.6 to +39.4	0.05	± 0.1	320	to tal
1202029S**	29C	+52.6 to +55.4	0.05	± 0.1	320	to tal
1202033S	33C	-38 to +42	0.2	± 0.2	435	50
1202034S	34C	+25 to +105	0.2	± 0.2	435	50
1202035S	35C	+90 to +170	0.2	± 0.4	435	50
1202036S	36C	-2 to +68	0.2	± 0.2	420	45
1202037S	37C	-2 to +52	0.2	± 0.2	410	100
1202038S	38C	+24 to +78	0.2	± 0.2	410	100
1202039S	39C	+48 to +102	0.2	± 0.2	410	100
1202040S	40C	+72 to +126	0.2	± 0.2	410	100
1202041S	41C	+98 to +152	0.2	± 0.3	410	100
1202042S	42C	+95 to +255	0.5	± 1 / above180 ± 2	410	100
1202044S**	44C	+18,6 to +21,4	0.05	± 0.1	320	to tal
1202045S**	45C	+23,6 to +26,4	0.05	± 0.1	320	to tal
1202046S**	46C	+48,6 to +51,4	0.05	± 0.1	320	to tal
1202047S**	47C	+58,6 to +61,4	0.05	± 0.1	320	to tal
1202048S**	48C	+80,6 to +83,4	0.05	± 0.1	320	to tal
1202049S	49C	+20 to +70	0.2	± 0.2	320	65
1202052S	52C	-10 to +5	0.1	± 0.1	180	to tal
1202054S	54C	+20 to +100,6	0.2	± 0.2	325	to tal
1202057S	57C	-20 to +50	0.5	± 0.5	305	57
1202061S	61C	+32 to +127	0.2	± 0.2	400	79
1202071S	71C	-37 to +21	0.5	± 0.2	370	76
1202072S**	72C	-19,4 to -16,6	0.05	± 0.1	320	to tal
1202073S**	73C	-41,4 to -38,6	0.05	± 0.1	320	to tal
1202082S	82C	-15 to +105	1	± 1	180	30
1202083S	83C	+15 to +70	1	± 1	190	40
1202084S	84C	+25 to +80	1	± 1	400	249
1202085S	85C	+40 to +150	1	± 1	325	181
1202086S	86C	+95 to +175	1	± 1	190	35

** 温度计在 0°C有辅助刻度

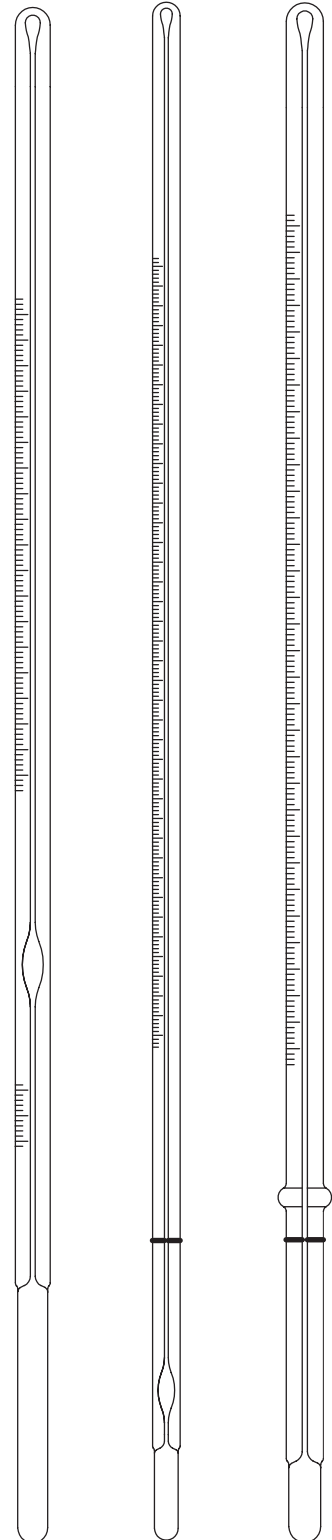
订货号后缀:

... / 80 带保护套 (FEP)

... / 03 带工作校准证书

... / 04 带 DAkkS 校准证书

例如: 订货号: 1202001S / 04 / 3P= 实验温度计, ASTM-likeType1C, 带 DAkkS 的 3点校准证书



精密实验室温度计, STEMFORM

类型 +A181:G203 (likeASTM-A214Type)

- 德国制造
- 适用于校准
- 温度计带序列号和合格证书
- 方形塑料套包装

订货号	类型 likeASTM-Type	测量范围 °C	最小分度 °C	精度 °C	总长度 mm	浸入深度 mm
1202088S	88C	+10 to +200	1	± 1	305	57
1202089S	89C	-20 to +10	0.1	± 0.1	390	76
1202090S	90C	0 to +30	0.1	± 0.1	390	76
1202092S	92C	+40 to +70	0.1	± 0.1	390	76
1202093S	93C	+60 to +90	0.1	± 0.1	390	76
1202094S	94C	+80 to +110	0.1	± 0.1	390	76
1202095S	95C	+100 to +130	0.1	± 0.2	390	76
1202096S	96C	+120 to +150	0.1	± 0.2	390	76
1202097S	97C	-18 to +49	0.5	± 0.3	320	to tal
1202098S	98C	+16 to +82	0.5	± 0.3	300	to tal
1202099S	99C	-50 to +5	0.2	± 0.2	320	35
1202102S	102C	+123 to +177	0.2	± 0.3	410	100
1202103S	103C	+148 to +202	0.2	± 0.4	410	100
1202110S**	110C	+133,6 to +136,4	0.05	± 0.15	320	to tal
1202112S**	112C	+4 to +6	0.02	± 0.04	410	to tal
1202113S	113C	-1 to +175	0.5	± 0.5	410	to tal
1202118S**	118C	+28,6 to +31,4	0.05	± 0.1	320	to tal
1202119S**	119C	-38,3 to -30	0.1	± 0.2	435	100
1202121S**	121C	+98,6 to +101,4	0.05	± 0.1	320	to tal
1202122S	122C	-45 to -35	0.1	± 0.4	320	to tal
1202123S	123C	-35 to -25	0.1	± 0.4	320	to tal
1202124S	124C	-25 to -15	0.1	± 0.2	320	to tal
1202125S	125C	-15 to -5	0.1	± 0.2	320	to tal
1202126S**	126C	-27,4 to -24,6	0.05	± 0.1	320	to tal
1202127S**	127C	-21,4 to -18,6	0.05	± 0.1	320	to tal
1202128S**	128C	-1,4 to +1,4	0.05	± 0.1	320	to tal
1202129S**	129C	+91,6 to +94,4	0.05	± 0.1	320	to tal
1202132S**	132C	+148,6 to +151,4	0.05	± 0.2	320	to tal
1202133S	133C	-38 to +2	0.1	± 0.1	395	76
1202134S	134C	+144 to +156	0.2	± 0.2	280	100
1202135S	135C	+38 to +93	1	± 1	190	40
1202136S	136C	-20 to +60	0.2	± 0.15	305	to tal
1202137S	137C	+80 to +100	0.1	± 0.1	270	76

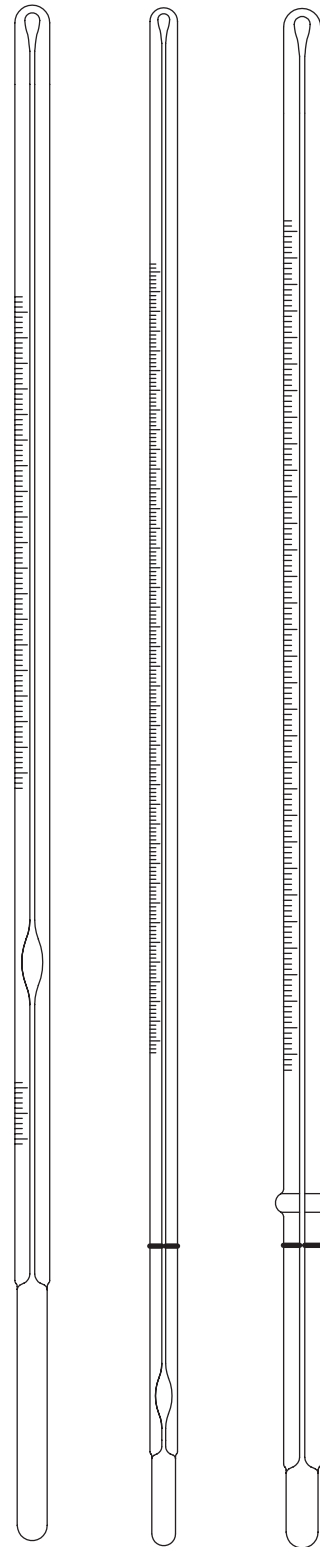
** 温度计在 0°C 有辅助刻度

精密实验室温度计, STEMFORM, ISO-R1770 / BS1704

蓝色内充物, ACCU-SAFE

- 德国制造
- 适用于校准
- 温度计带序列号和合格证书
- 方形塑料套包装

订货号	类似 ISO-Type	测量范围(°C)	最小分度(°C)	精度(°C)	总长度(mm)	浸入深度(mm)
69351	L / 75	-1 to +51	0.1	± 0.3	480	75
69352	M / 75	-1 to +101	0.1	± 0.3	630	75
69353	N / 75	-1 to +201	0.2	± 0.6	630	75
69354	L / to tal	-1 to +51	0.1	± 0.2	480	to tal
69355	L / to tal	-1 to +101	0.1	± 0.2	630	to tal
69356	L / to tal	-1 to +201	0.2	± 0.4	630	to tal



精密实验室温度计, STEMFORM
ASTM-LIKE- 蓝色内充物 ,ACCU-SAFE

- 德国制造
- 适用于校准
- 温度计带序列号和合格证书
- 方形塑料套包装

订货号	类型 likeASTM-Type	测量范围 OF	最小分度 OF	精度 °C	总长度 mm	浸入深度 mm
1205001S	1F	0 to +302	2	± 1	335	76
1205009S	9F	+20 to +230	1	± 1	305	57
1205014S	14F	+100 to +180	0.2	± 0.2	390	79
1205016S	16F	+85 to +392	1	± 0.5 / above357 ± 1	415	to tal
1205017S	17F	+66 to +80	0.2	± 0.2	300	to tal
1205019S	19F	+120 to +134	0.2	± 0.2	300	to tal
1205020S	20F	+134 to +148	0.2	± 0.2	300	to tal
1205021S	21F	+174 to +188	0.2	± 0.2	300	to tal
1205028S**	28F	+97,5 to +102,5	0.1	± 0.2	320	to tal
1205029S**	29F	+127,5 to +132,5	0.1	± 0.2	320	to tal
1205030S**	30F	+207,5 to +212,5	0.1	± 0.2	320	to tal
1205033S	33F	-36,5 to +107,5	0.5	± 0,5	435	50
1205034S	34F	+77 to +221	0.5	± 0,5	435	50
1205035S	35F	+194 to +338	0.5	± 1	435	50
1205044S**	44F	+66,5 to +71,5	0.1	± 0.2	320	to tal
1205045S**	45F	+74,5 to +79,5	0.1	± 0.2	320	to tal
1202046S**	46F	+119,5 to +124,5	0.1	± 0.2	320	to tal
1205047S**	47F	+137,5 to +142,5	0.1	± 0.2	320	to tal
1205048S**	48F	+177,5 to +182,5	0.1	± 0.2	320	to tal
1205050S	50F	+54 to +101	0.1	± 0.2	485	to tal
1205051S	51F	+69 to +116	0.1	± 0.2	485	to tal
1205054S	54F	+68 to +213	0.5	± 0.5	325	to tal
1205057S	57F	-4 to +122	1	± 1	305	57
1205061S	61F	+90 to +260	0.5	± 0.5	400	79
1205071S	71F	-35 to +70	1	± 0.5	370	76
1205072S**	72F	-2,5 to +2,5	0.1	± 0.2	320	to tal
1205073S**	73F	-42,5 to +37,5	0.1	± 0.2	320	to tal
1205075S	75F	-35 to +35	0.5	± 0.5	425	100
1205077S	77F	+245 to +265	0.5	± 0.5	290	to tal
1205078S	78F	+295 to +315	0.5	± 0.5	290	to tal
1205079S	79F	+345 to +365	0.5	± 0.5	290	to tal
1205082S	82F	0 to +220	2	± 2	180	30
1205083S	83F	+60 to +160	1	± 2	190	40
1205084S	84F	+75 to +175	1	± 2	400	249
1205085S	85F	+100 to +300	2	± 2	325	181
1205086S	86F	+200 to +350	2	± 2	190	35
1205088S	88F	+50 to +392	2	± 2	305	57
1205097S	97F	0 to +120	1	± 0.5	320	to tal
1205098S	98F	,+60 to +180	1	± 0.5	300	to tal
1205099S	99F	-58 to +41	0.5	± 0.4	320	35
1205108S	108F	+270 to +290	0.5	± 0.5	290	to tal
1205109S	109F	+320 to +340	0.5	± 0.5	290	to tal
1205110S**	110F	+272,5 to +277,5	0.1	± 0.2	320	to tal
1205113S	113F	+30 to +350	1	± 1	420	to tal
1205118S**	118F	+83,5 to +88,5	0.1	± 0.2	320	to tal
1205119S**	119F	-37 to -22	0.2	± 0.4	435	100
1205126S**	126F	-17,5 to -12,5	0.1	± 0.2	320	to tal
1205128S**	128F	+29,5 to +34,5	0.1	± 0.2	320	to tal
1205129S**	129F	+197,5 to +202,5	0.1	± 0.2	320	to tal
1205135S	135F	+100 to +200	1	± 2	190	40
1205136S	136F	-5 to +140	0.5	± 0.25	305	to tal

** 温度计在 +32 °F 有辅助刻度

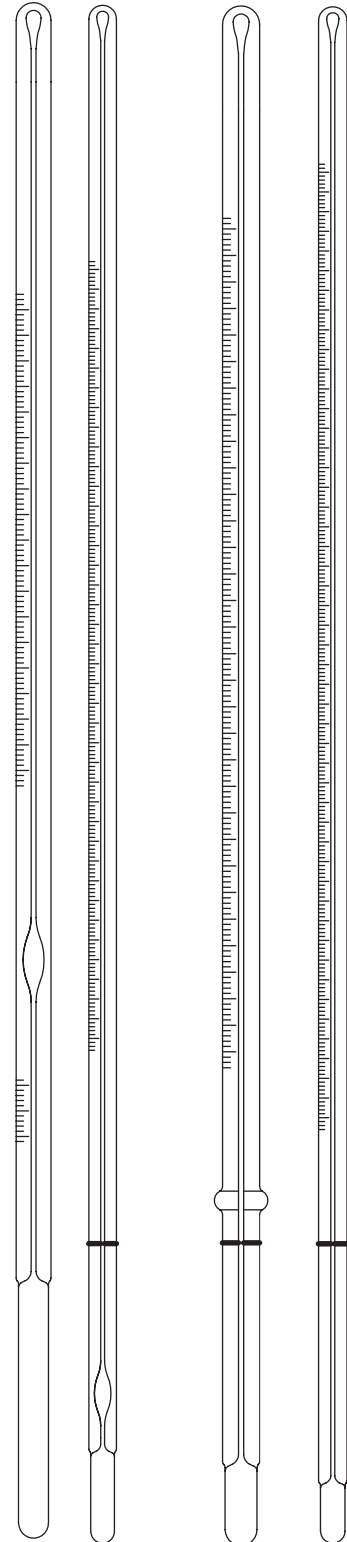
订货号后缀:

... / 80 带保护套 (FEP)

... / 03 带工作校准证书

... / 04 带 DAkkS 校准证书

例如: 订货号: 1205001S / 04 / 3P= 实验温度计, ASTM-likeType1F, 带 DAKKS 的 3 点校准证书



精密船用温度计 蓝色内充物, ACCU-SAFE

- 德国制造
- 适用于校准
- 温度计带序列号和合格证书
- 悬挂式温度计

订货号	测量范围 (°C)	最小分度 (°C)	精度 (°C)	总长度 (mm)
1452101S	-30 to +50	0.5	± 0.5	280

金属保护套, 可悬挂, 总长 300mm, 订货号: 1454101

带金属保护的套装, 订货号: 1452101S / 1454101

精密冷储存温度计

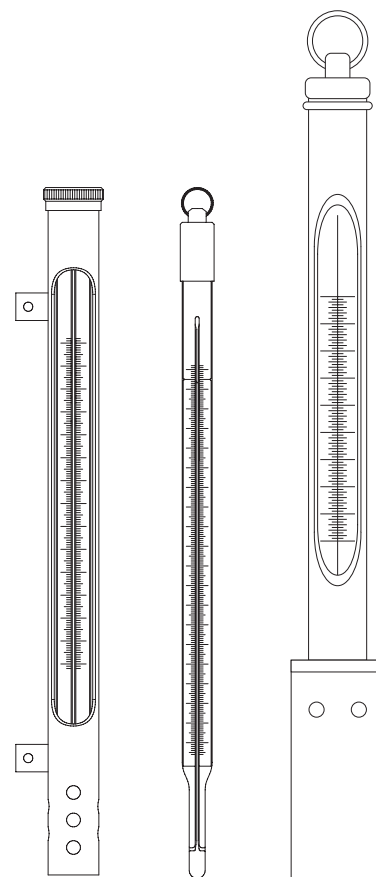
订货号	测量范围 (°C)	最小分度 (°C)	精度 (°C)	总长度 (mm)
31805S	-10 to +18	0.2	± 0.3	315

精密式浸入温度计

订货号	测量范围 (°C)	最小分度 (°C)	精度 (°C)	总长度 (mm)
1182901S	-10 to +50	0.5	± 0.5	245
1182902S	-10 to +100	0.5	± 0.5	245
1182907S	-10 to +35	0.2	± 0.3	245
1182908S	-38 to +50	0.2	± 0.3	345
1182909S	-10 to +50	0.2	± 0.3	345

带旋转视窗的保护罩

订货号	测量范围 (°C)	上部尺寸 (mm)	内部长度 (mm)
1182205	Brass	H200xB20	245
1182207	Brass	H300xB20	345



精密实验室温度计, 经过 DAKKS 校准

- 德国制造
- 带 DAKKS 的 3 点校准证书
- 可追溯到国家标准
- 方形塑料套包装

精密实验室温度计, Enclosedscale

订货号	测量范围 °C	最小分度 °C	精度 °C	浸入深度 mm
1042343S / 04 / 3P	-10 to +50	0.5	220	to tal
1042344S / 04 / 3P	-10 to +100	0.5	270	to tal
1042345S / 04 / 3P	-10 to +150	0.5	350	to tal
1042604S / 04 / 3P	-38 to +50	0.2	400	to tal
1042346S / 04 / 3P	-5 to +50	0.2	350	to tal
1042347S / 04 / 3P	-5 to +100	0.2	420	to tal
1042704S / 04 / 3P	-30 to +30	0.1	400	to tal
1042349S / 04 / 3P	-10 to +50	0.1	420	to tal
1042354S / 04 / 3P	0 to +100	0.1	550	to tal

精密实验室温度计, STEMFROM

订货号	测量范围 °C	最小分度 °C	精度 °C	浸入深度 mm
1052105S / 04 / 3P	-38 to +50	0.5	320	to tal
1042373S / 04 / 3P	-10 to +50	0.5	240	to tal
1042374S / 04 / 3P	-10 to +100	0.5	290	to tal
1042375S / 04 / 3P	-10 to +150	0.5	370	to tal
1042376S / 04 / 3P	-5 to +50	0.2	370	to tal
1042377S / 04 / 3P	-5 to +100	0.2	440	to tal
1052303S / 04 / 3P	-38 to +50	0.1	570	to tal
1132004S / 04 / 3P	0 to +51	0.1	420	to tal
1132005S / 04 / 3P	+47 to +101	0.1	420	to tal

精密实验室温度计, STEMFORMASTM

订货号	类型	测量范围 (°C)	最小分度 (°C)	总长度 (mm)	浸入深度 (mm)
1202005S / 04 / 3P	S5C	-38 to +50	1	260	108
1202012S / 04 / 3P	S12C	-20 to +102	0.2	435	to tal
1202015S / 04 / 3P	S15C	-2 to +80	0.2	415	to tal
1202018S / 04 / 3P	S18C	+34 to +42	0.1	300	to tal
1202022S / 04 / 3P	S22C	+95 to +103	0.1	300	to tal
1202058S / 04 / 3P	S58C	-34 to +49	0.5	300	to tal
1202059S / 04 / 3P	S59C	-18 to +82	0.5	300	to tal
1202062S / 04 / 3P	S62C	-38 to +2	0.1	401	to tal
1202063S / 04 / 3P	S63C	-8 to +32	0.1	401	to tal
1202064S / 04 / 3P	S64C	+25 to +55	0.1	401	to tal
1202065S / 04 / 3P	S65C	+50 to +80	0.1	401	to tal
1202066S / 04 / 3P	S66C	+75 to +105	0.1	401	to tal
1202067S / 04 / 3P	S67C	+95 to +155	0.2	401	to tal
1202091S / 04 / 3P	S91C	+20 to +50	0.1	390	76