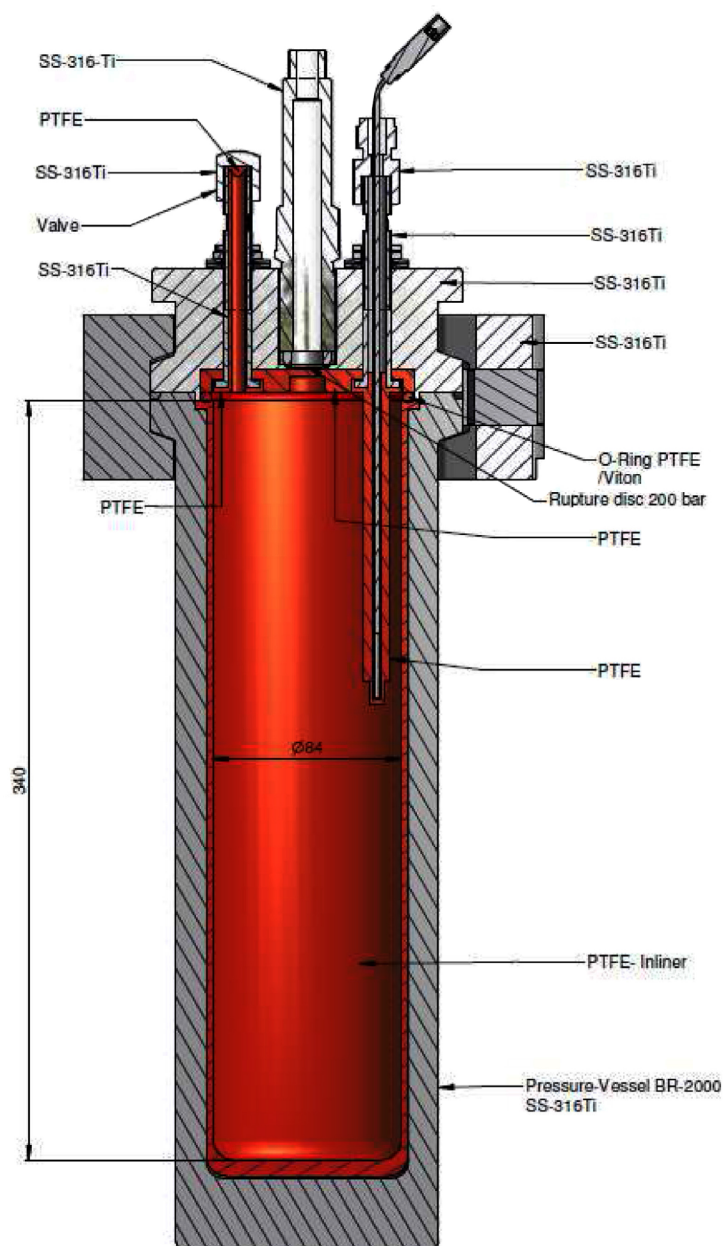


标准型高压反应釜套装

High pressure reactor DB-300 to 2000

UP TO 200bar

DB Reator



订货号	名称	描述	价格 (RMB)
-----	----	----	----------

反应釜主体单元

5781010	DB-300 反应釜套装	DB-300 set of basic reactor made of SS 316TI. All parts in contact with liquid and gas phase are completely lined with PTFE, volume 300ml. Set includes reactor vessel and lid with PTFE-lining, rupture disc and vent valve.	118,800.00
5781020	DB-500 反应釜套装	DB-500 set of basic reactor made of SS 316TI. All parts in contact with liquid and gas phase are completely lined with PTFE, volume 500ml. Set includes reactor vessel and lid with PTFE-lining, rupture disc and vent valve.	123,200.00
5781030	DB-700 反应釜 套装	DB-700 set of basic reactor made of SS 316TI. All parts in contact with liquid and gas phase are completely lined with PTFE, volume 700ml. Set includes reactor vessel and lid with PTFE-lining, rupture disc and vent valve.	129,800.00
5781040	DB-1000 反应釜套装	DB-1000 set of basic reactor made of SS 316TI. All parts in contact with liquid and gas phase are completely lined with PTFE, volume 1000ml. Set includes reactor vessel and lid with PTFE-lining, rupture disc and vent valve.	180,400.00
5781050	DB-1500 反应釜套装	DB-1500 set of basic reactor made of SS 316TI. All parts in contact with liquid and gas phase are completely lined with PTFE, volume 1500ml. Set includes reactor vessel and lid with PTFE-lining, rupture disc and vent valve.	193,600.00
5781060	DB-2000 反应釜套装	DB-2000 set of basic reactor made of SS 316TI. All parts in contact with liquid and gas phase are completely lined with PTFE, volume 2000ml. Set includes reactor vessel and lid with PTFE-lining, rupture disc and vent valve.	246,400.00

温度测量

5781210	DB-300 T-Sensor NiCrNi PTFE	Standard T-Sensor Type k, NiCrNi Thermocouple within PTFE encased dip tube made of SS316TI for DB-300	19,140.00
5781240	DB-500-DB-2000 T-Sensor NiCrNi PTFE	Standard T-Sensor Type k, NiCrNi Thermocouple within PTFE encased dip tube made of SS316TI for DB-500 DB-700 DB-1000 DB-1500 DB-2000	19,800.00

压力测量

5725660	Pressure sensor 200 bar	Pressure sensor 0 -200 bar, Accuracy 1%, all parts in contact with liquid & gas phase are made of PTFE, Kalrez or Ceramic (Al ₂ O ₃)	22,000.00
---------	----------------------------	---	-----------

DB-300 to DB-2000 配套附件

订货号	名称	描述	价格 (RMB)
5701017	PTFE High pressure tubing	PTFE High pressure tubing (2.5m; ID 9mm; 550bar) Exhaust tubing for rupture discs, G3/8" female (inlet) -G 3/8" male (outlet)	4,730.00

PTFE-Inserts and O-seal rings

All O-seal rings and inserts are regarded as consumables.

5757262	O-Ring 72x5,0mm PTFE	DB-300 500 700 O-Seal ring made of PTFE	616.00
5757162	O-Ring 72x5,0mm FPM	DB-300 500 700 O-Seal ring made of Viton	330.00
5054080	O-Ring 72x5,0mm FFKM	DB-300 500 700 O-Seal ring made of Kalrez	19,360.00
5735033	BR-300 Insert PTFE	DB-300 Insert made of PTFE, 300ml	5,060.00
5756090	BR-500 Insert PTFE	DB-500 Insert made of PTFE, 500ml	5,720.00
5776090	BR-700 Insert PTFE	DB-700 Insert made of PTFE, 700ml	6,490.00
5757926	O-Ring 85x5,0mm PTFE	DB-1000 1500 2000 O-Seal ring made of PTFE	418.00
5757924	O-Ring 85x5,0mm FPM	DB-1000 1500 2000 O-Seal ring made of Viton	330.00
5757922	O-Ring 85x5,0mm FPM/FEP	DB-1000 1500 2000 O-Seal ring made of FPM/FEP	880.00
5054130	O-Ring 85x5,0mm FFKM	DB-1000 1500 2000 O-Seal ring made of Perlast	11,220.00
5054131	O-Ring 85x5,0mm Viton 890	DB-1000 1500 2000 O-Seal ring made of Viton 890, compatible with supercritical CO ₂	2,266.00
5715033	BR-1000 Insert PTFE	BR-1000 Insert made of PTFE, 1000ml	11,660.00
5715053	DB-1500 Insert PTFE	DB-1500 Insert made of PTFE, 1500ml	13,090.00
5715063	DB-2000 Insert PTFE	DB-2000 Insert made of PTFE, 2000ml	14,850.00

磁力搅拌器、加热控制器
Magnetic stirrer, Heating controller

以下附件均为 **Chemtron** 产品, 选配时请注意不要与 **Berghof** 温控及附件互选。

名称	描述	订货号	价格 (RMB)
Chemtron 磁力搅拌单元	搅拌速度 (rpm):100-1200 Power supply 230-240 V, 50/60 Hz, 600 Watt	CR.3080.05	6,720.00
Chemtron PL524 Pro 数字式温度控制器	0.1 级测量精度, 控温精度 0.1-0.5 标配 170mm 浸入式探针 PT100 温度传感器 人工智能调节 P&ID, 具备自诊定, 自学习功能 可控制加热功率最大 4kW 的加热元件	CRPL524 Pro	9,000.00
PL524 Premium 温度控制器	5" TFT 真彩屏 800x480 像素 0.1 级测量精度, 控温精度 0.1-0.5 标配 170mm 浸入式探针 PT100 温度传感器 人工智能调节 P&ID, 具备自诊定, 自学习功能 可控制加热功率最大 4kW 的加热元件	CR PL524 Premium	15,360.00
LC6 温度控制器	该系列控制器适用于电热套, 控温带, 冷却盘管以及其他需控温的实验室或者工业加热设备 温度设定点、高低温报警和通过前面板 LCD/ LED 多重显示 所有温度控制器都采用 PID 温度控制技术, 设有工作传感器安全 传感器接口 (Pt100) 以及加热输出接口, 温度记录器和 RS-232 通讯接口 模拟量输出接口可连接记录仪和外部程序控制器	9700160	38,749.00
搅拌子	Power magnetic stirring bar 50x19mm for BR-300	5790100	1,658.00
温度测量数显仪	高精度多功能测量仪 PHYSICS 51 分辨率 0.01K/0.1K, 1 个输入通道, 不带校准证书	59235	5,693.00
Auto Reactor 1.6	数据记录软件 (含控制盒和软件)	2152.001	8,000.00



Auto Reactor 1.6

注: 合同金额超 RMB 50,000.00 元 (或对应外币金额) Auto Reactor 免费!

DB-300 to DB-2000 加热套

以下附件均为 **Chemtron** 产品, 选配时请注意不要与 **Berghof** 温控及附件互选。

订货号	名称	描述	价格 (RMB)
CR5708970	CHM-300	Electrical heating jacket for DB-300, 220V/50Hz, 600W Working temperature 50-300 , with over-heating protection Julabo LC6 is required for temperature control	22,522.00
CR5708830	CHM-500	Electrical heating jacket for DB-500, 220V/50Hz, 1000W Working temperature 50 - 300 , with over-heating protection Julabo LC6 is required for temperature control	23,950.00
CR5708820	CHM-700	Electrical heating jacket for DB-700, 220V/50Hz, 1000W Working temperature 50 - 300 , with over-heating protection Julabo LC6 is required for temperature control	25,300.00
CR5708950	CHM-1000	Electrical heating jacket for DB-1000, 220V/50Hz, 1500W Working temperature 50 - 300 , with over-heating protection Julabo LC6 is required for temperature control	28,800.00
CR5708810	CHM-1500	Electrical heating jacket for DB-1500, 220V/50Hz, 2000W Working temperature 50 - 300 , with over-heating protection Julabo LC6 is required for temperature control	30,888.00
CR5708750	CHM-2000	Electrical heating jacket for DB-2000, 220V/50Hz, 2000W Working temperature 50 - 300 , with over-heating protection Julabo LC6 is required for temperature control	34,000.00

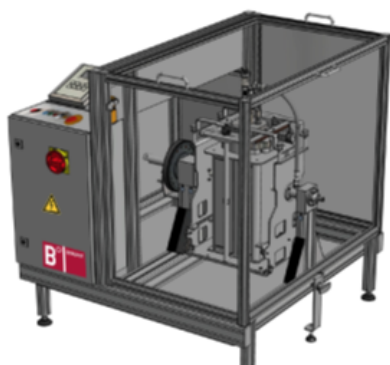


BERGHOF

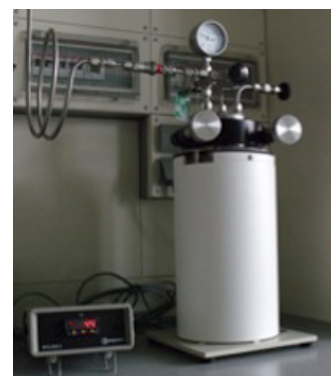
磁力搅拌器、加热控制器
Magnetic stirrer, Heating controller

以下附件均为 Berghof 产品 选配时请注意不要与 Chemtron 温控及附件互选。

名称	描述	订货号	价格 (RMB)
Shaker DB-300 to DB-2000	Shaker for one DB-reactor, max angle of oscillation is 90 - 270 °, speed 10-15 sec/oscillation, 230V, 50/60Hz, 16A, dimensions 105 x 106 x 160 (L x D x H), approx. 165 kg Including DB-1000 and DB-2000 Holder system, Control terminal and Safety hood	5725780	613,140.00



名称	描述	订货号	价格 (RMB)
BTC-3000	温度控制器 BTC-3000 max. 3000 W, 220V 定时功能 PID 温度控制, 过热保护 RS-232 数据接口, 含控制软件最多 8 通道 可以进行温度、搅拌速度控制, 压力显示	5729000	40,920.00
BDL-3000 Data Logger	Data Logger BDL-3000 for heaters with max. 3000 Watt, 220V. System provides Temperature- and pressure recording of up to 2 reactor systems. Inlets: 4x 4-20mA input for sensors (2x thermocouple, 2x pressure sensor) Outlets: RS-232 interface for PC connection 2 connection for temperature control of BLH-650 hot plates via PC. incl. Software; Software requirements Windows 98 or higher	5343000	10,890.00
Relay box	Relay box for active PC-control of BHM-/NHM-Heating jackets with BDL-3000 Data logger	5343560	
BDL-3000 数据记录仪 8 通道	8 通道 (4x 热电偶传感器, 4x 压力传感器), 最多可接 4 个反应釜	5348000	69,615.00



DB-300 to DB-2000 加热套

订货号	名称	描述	价格 (RMB)
5708970	BHM-300	Electrical heating jacket for DB-300, 220V/50Hz, 600W Working temperature 50-300 °C, with over-heating protection BTC-3000 is required for temperature control	34,650.00
5708830	BHM-500	Electrical heating jacket for DB-500, 220V/50Hz, 1000W Working temperature 50 - 300 °C, with over-heating protection BTC-3000 is required for temperature control	36,850.00
5708820	BHM-700	Electrical heating jacket for DB-700, 220V/50Hz, 1000W Working temperature 50 - 300 °C, with over-heating protection BTC-3000 is required for temperature control	39,050.00
5708950	BHM-1000	Electrical heating jacket for DB-1000, 220V/50Hz, 1500W Working temperature 50 - 300 °C, with over-heating protection BTC-3000 is required for temperature control	44,330.00
5708810	BHM-1500	Electrical heating jacket for DB-1500, 220V/50Hz, 2000W Working temperature 50 - 300 °C, with over-heating protection BTC-3000 is required for temperature control	47,520.00
5708750	BHM-2000	Electrical heating jacket for DB-2000, 220V/50Hz, 2000W Working temperature 50 - 300 °C, with over-heating protection BTC-3000 is required for temperature control	52,250.00

DB-300 to DB-2000 备件及耗材

订货号	名称	描述	价格 (RMB)
-----	----	----	----------

Additional Spare Parts and Consumables

5779480	Rupture disc 100bar	Rupture disc made of Monel, D 24mm, 100bar incl. PFA protection foil and certificate	1,989.00
5739480	Rupture disc 150bar	Rupture disc made of SS-316, D 24mm, 150bar with PFA protection foil and certificate	1,989.00
5759480	Rupture disc 200bar	Rupture disc made of Monel, D 24mm, 200bar with PFA protection foil and certificate	1,989.00
5219085	Rupture disc HC 200bar	Rupture disc made of Hastelloy C-276, D 24mm, 200bar with certificate	3,647.00
5900768	Seal exhaust tubing	Seal ring G3/8" PTFE for exhaust tubing 5701017	111.00
5781206	DB-Valve	DB-vent valve, pre-assembled Complete valve for easy replacement	20,900.00
5781205	DB-Blind plug	DB-Blind plug	14,960.00
5781180		Seal set for pressure sensor (5725660) consist of: 5150072 O-Ring 8,0 x 2,0 mm 5150071 O-Ring 12 x 2,0 mm	2,640.00
5781190		Seal set for DB-vent valve (5781206) consists of : 5150271 O-Ring 6,0 x 1,5 mm 5718133 seal plate PTFE	2,640.00

