

BasePump

FEATURES

- > Flexible and Economical
- > Accommodates 50 μ L to 10 mL syringes
- > With or without valve
- > With or without electronics

CUSTOMER REQUIREMENTS

- > Driver Recommendation (min)
For Stepper Motor: BiPolar Chopper at
24 VDC, 350 mA per phase or equivalent

CONFIGURED OPTIONS

- > With or without Valve
- > Accessories
 - Diluent Syringe Sizes - 500 μ L, 2 mL, 5 mL, 10 mL
 - Dual Port Sample Syringe Size - 50 μ L, 250 μ L
 - Single Port Sample Syringe Size - 250 μ L, 500 μ L, 2 mL, 5 mL, 10 mL

BASE MODEL

BasePump

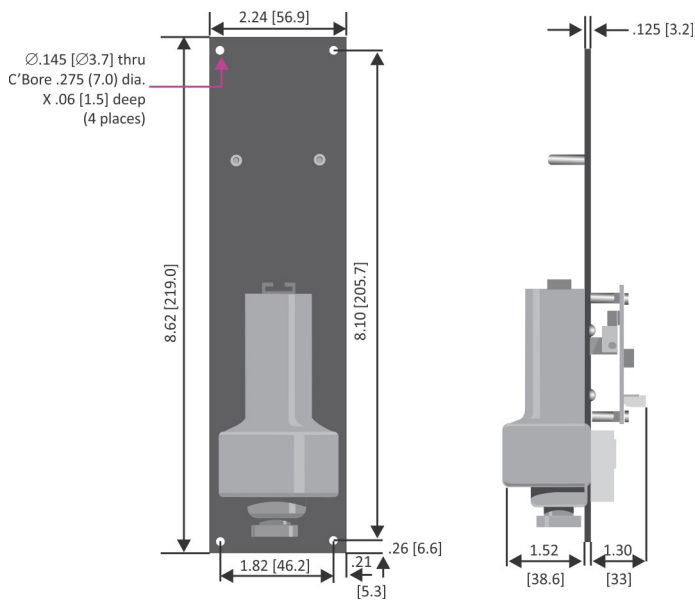


(Shown with optional syringe/valve/valve cover)

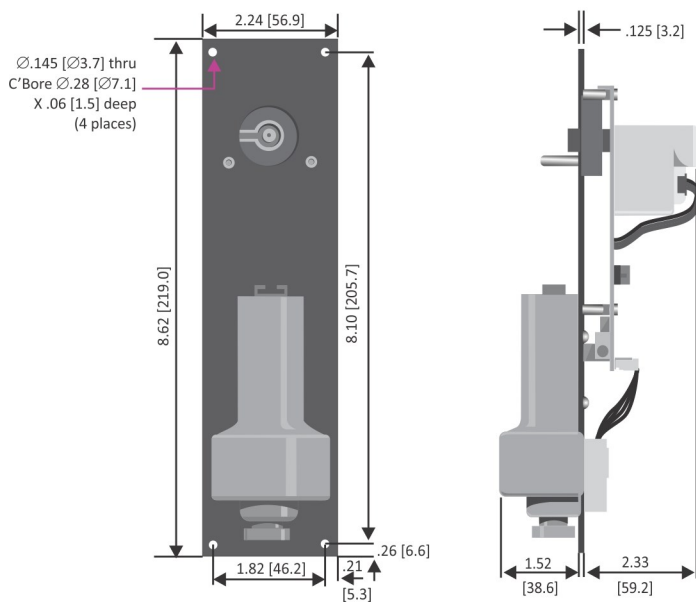
SPECIFICATIONS	
	BasePump Cat# 0802 Cat# 0884 (for use with Valve)
Syringe Drive Motor / Leadscrew Data Travel / Full Step Resistance / Phase Inductance / Phase Rated Current Rated Voltage	Stepper Motor: 0.000656 in. (7.5° step angle) 9.1 ohm (each winding) 16.7 mH (each winding) 550 mA 5V
Valve Motor Data Voltage Current (at nominal voltage)	DC Gear Motor: 12 VDC Nominal (7-15 VDC) <= 0.90 mA (no load), 290 mA (max. load)
Opto Sensors	H22A1 or equivalent
Syringe Speed	User defined
Power Requirements Stepper Motor (for syringe drive) DC Gear Motor (for valve drive) Logic (see also 24 V Regulator, Cat# 0897)	User defined
Power Dissipation	User defined
Optional Accessory PCBAs 24 V Regulator Logic	N/A N/A
Weight	17 oz maximum
Step Resolution Short Stroke Long Stroke	1000 steps (for 50 µL, 250 µL and 500 µL syringes) 2000 steps (for 2 mL, 5 mL and 10 mL syringes)
Fluid Contact Materials (syringe materials) Fluid Contact Materials (valve materials)	Borosilicate Glass, PTFE, Polypropylene, Polycarbonate, HDPE

FUNCTIONAL PARAMETERS	
Performance (at full volume) Accuracy and Precision within	<= 1% at 100 steps of travel (mechanical only)

Cat. # 0802 for use with out Valve



Cat. # 0884 for use with Valve



Note: Dimensions in inches [mm] unless otherwise specified.

ECONOMICAL PUMP SOLUTIONS WORLDWIDE

tricontinent.com



TriContinent by Gardner Denver
12555 Loma Rica Drive
Grass Valley, CA 95945
USA
Tel: 800-937-4738
Fax: 530-273-2586
liquidhandling.tcs@gardnerdenver.com

Gardner Denver Thomas GmbH
Livry-Gargan-Str. 10
82256 Fürstenfeldbruck
Germany
Tel: +49 8141 2280 0
Fax: +49 8141 8892136
thomas.de@gardnerdenver.com

Gardner Denver Hong Kong, Limited
Unit 1317-1318 Delta House, 3 On Yiu Street
Siu Lek Yuen, Shatin, New Territories
Hong Kong
Tel: +852 26903502
Fax: +852 27924598
thomas.hk@gardnerdenver.com

TRICONTINENT
by Gardner Denver

The information presented in this material is based on technical data and test results of nominal units. It is believed to be accurate and reliable and is offered as an aid to help in the selection of TriContinent products. It is the responsibility of the user to determine the suitability of the product for the intended use and the user assumes all risk and liability in connection there with. TriContinent does not warrant, guarantee or assume any obligation or liability in connection with this information.

Photos of products pictured in this catalog do not necessarily represent a specific model number. To obtain further information for custom options, contact your local TriContinent office.

Printed in USA Form No. MKT90028 H © Gardner Denver TriContinent. All rights reserved.