

## 光斩波器OCV-6300F/OCV-6300

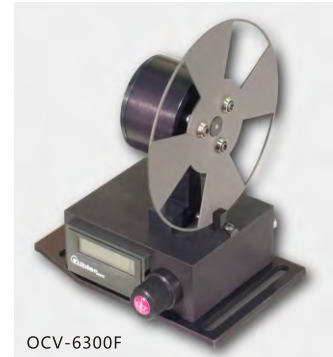
光机械调制器（斩光器）广泛用于多种光学实验中。按给定频率对不同光源进行调制，进行分析。内置频率计数器可以精确选择斩波频率，无需外部设备。

如果光斩波器和锁相放大器配合使用可以降低振幅信号从大的背景噪声中提取出来。

### 技术参数

|  | OCV-6300/6300F |
|--|----------------|
| Frequency range, Hz                          | 7-6300         |
| Chopping frequency with 2-slot blade, Hz     | 7-120          |
| Chopping frequency with 10-slot blade, Hz    | 40-600         |
| Chopping frequency with 30-slot blade, Hz    | 120-1900       |
| Chopping frequency with 60-slot blade, Hz    | 150-3700       |
| Chopping frequency with 100-slot blade, Hz   | 260-6300*      |
| Output sync signal level at BNC connector, V | +5 V (50 ohm)  |
| Frequency setting accuracy, Hz               | 1              |
| Power supply (AC-DC adapter 12V, 0.35 A), V  | 110-230        |
| Power consumption, W                         | 4              |
| Dimensions for OCV-6300 (WxLxH), mm          | 87x90x146      |
| Dimensions for OCV-6300F (WxLxH), mm         | 87x104x148     |

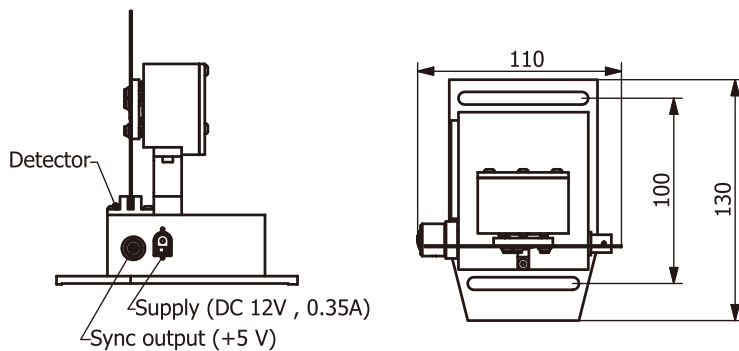
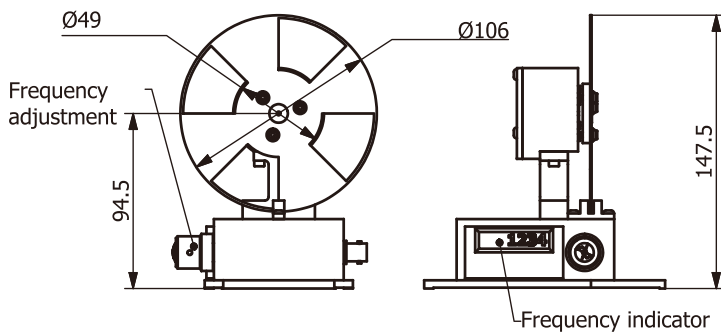
\* - the clear aperture with this blade is 1.5 mm



OCV-6300F



OCV-6300



OCV-6300F (mm)

### 特点：

- 频率范围7-6300 Hz
- 同步输出
- 频率稳定性好
- 紧凑