



HENALINE

A complete line of single-stage rotary vane pumps
for low and medium vacuum applications. Safe. Reliable. Powerful.

HENALINE

A complete line of single-stage rotary vane pumps for low and medium vacuum applications. Safe. Reliable. Powerful.

HenaLine

HenaLine is a complete line of oil-sealed rotary vane pumps that are suitable for both industrial applications as well as research & development environments. These pumps offer pumping speeds of between 25 and 1,920 m³/h.

Where are the advantages?

Whether as a stand-alone pump or as a backing pump for our OktaLine in connection with medium vacuum applications: HenaLine means top quality at all times. Used as backing pumps in our CombiLine Roots pumping stations, these pumps are the ideal solution for your applications in metallurgy, helium leak detection or vacuum drying and degassing.

Efficient

Their reliability, performance and compact size round out the outstanding features of the HenaLine pumps. Moreover, the principle of operation of the HenaLine pumps assures low operating temperatures. This increases the service life of the oil while eliminating the need for additional water cooling for the pump in most applications.

Safe

Oil mist separator, oil return and safety valves are integrated as standard equipment in this line of pumps. They prevent contamination of the ambient air and safeguard both the pump as well as your system. In addition, the gas ballast valve assures pump-down of steam and other process vapors. In every respect, the HenaLine simply shines!

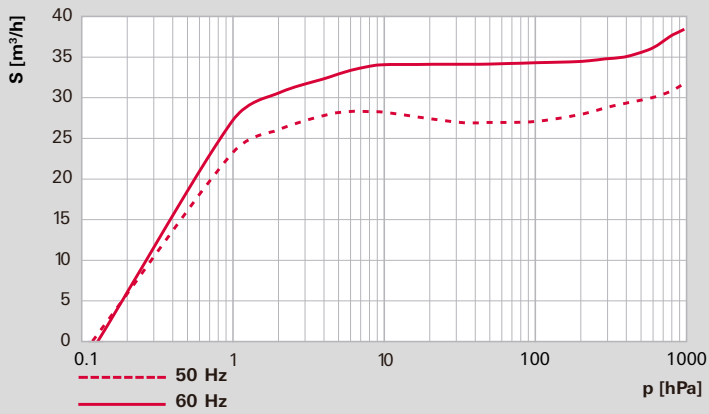
Customer benefits

- Integrated oil mist separator for clean exhaust air
- Compact, reliable and powerful
- Easy to service
- Operating and process reliability
- Flanges in industrial version with pipe thread:
Connection flanges in DN ISO-KF/K, easily adaptable
- Quiet, low-vibration operation

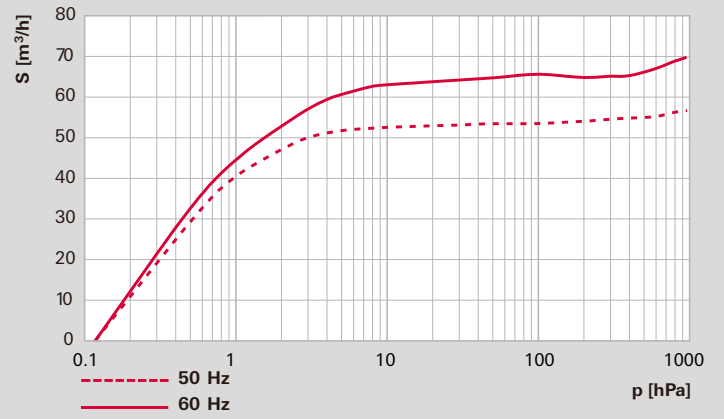
HENALINE

Pumping speed

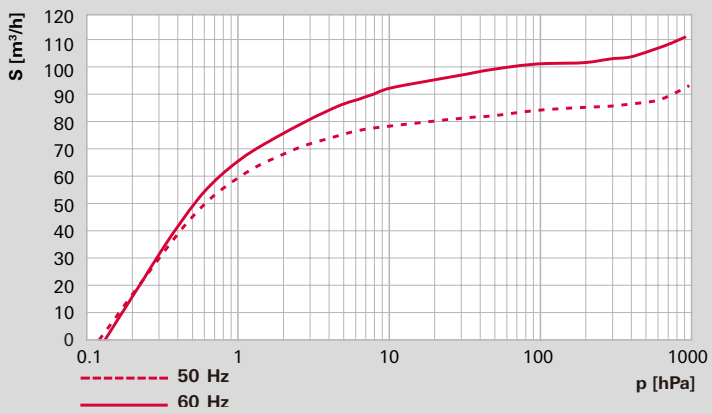
Hena 26



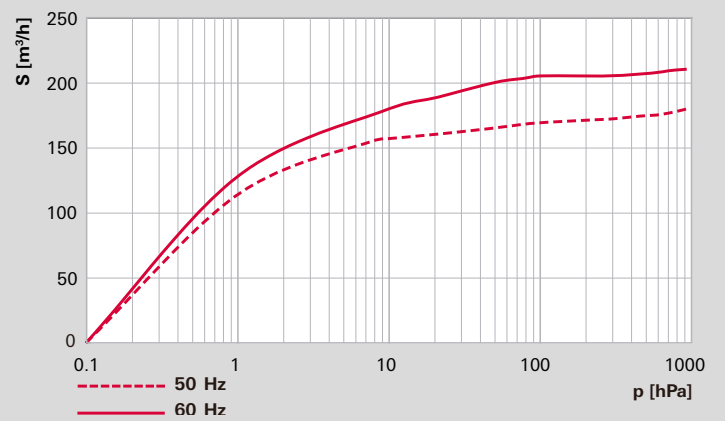
Hena 61



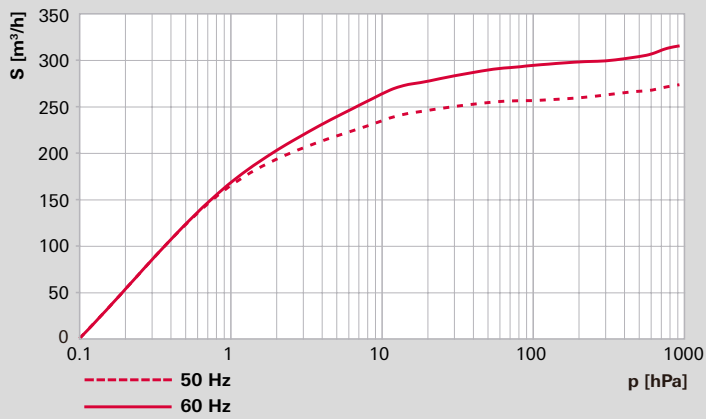
Hena 101



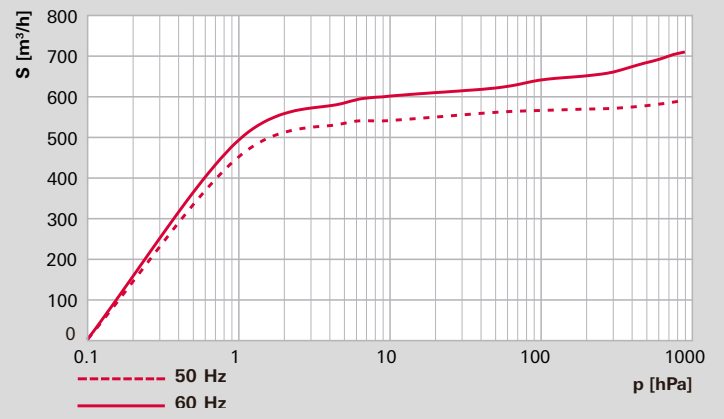
Hena 201



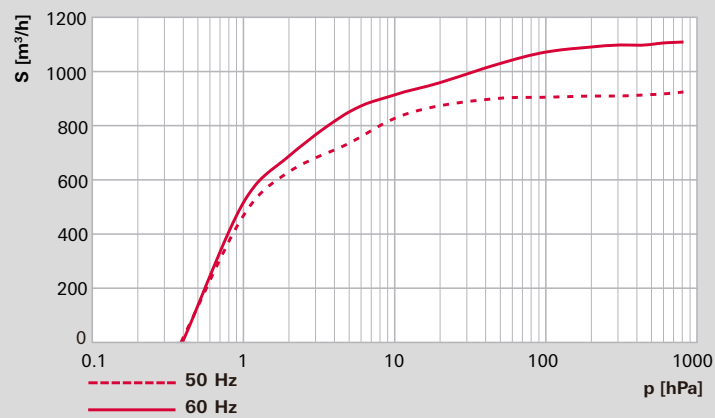
Hena 301



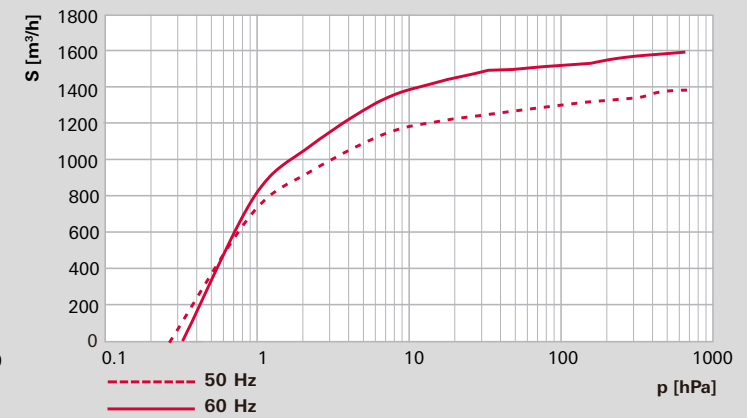
Hena 631



Hena 1000



Hena 1600





Applications

Industrial

- Electron beam welding
- Lithium ionen batteries
- Surface coating
- Vacuum drying and degassing
- Leak detection
- Metallurgy
- Gas recovery
- Load locks/transfer chambers
- General process technology

Research & development

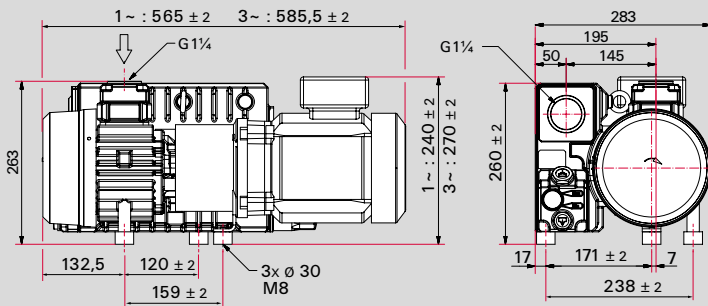
- Simulation chambers
(Air conditioning, aerospace)

Coating

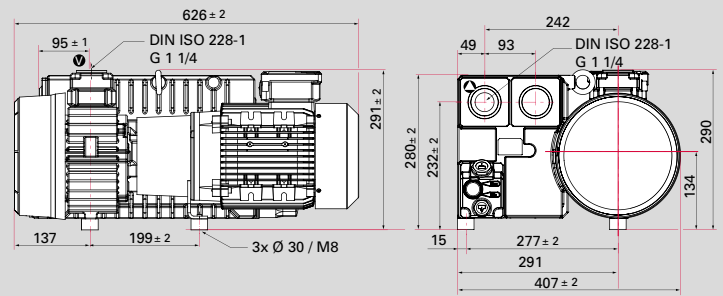
- Optical coating
- Wear protection coating

Dimensions

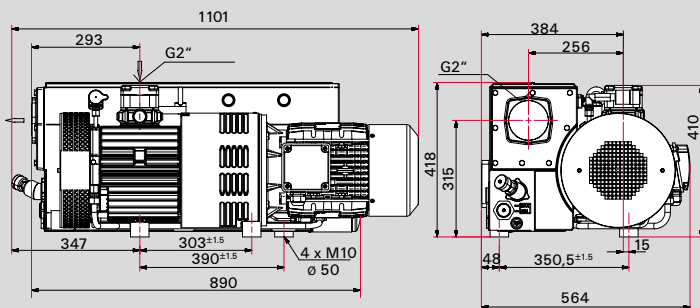
Hena 26



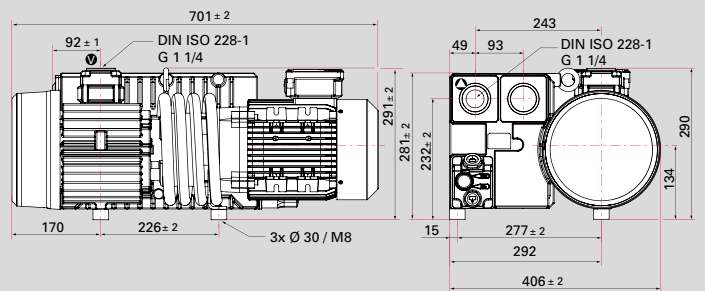
Hena 61



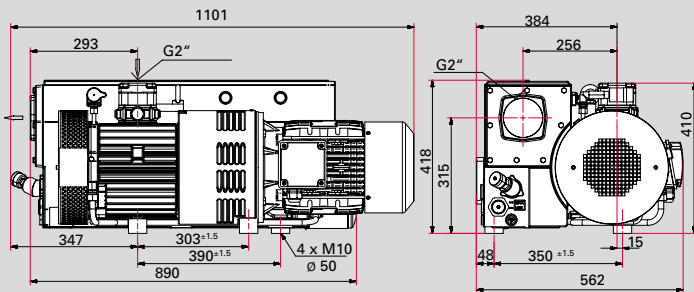
Hena 101



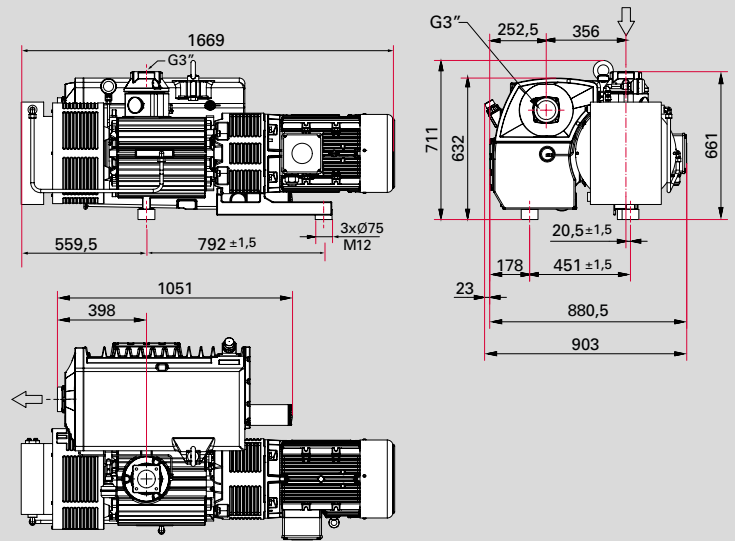
Hena 201



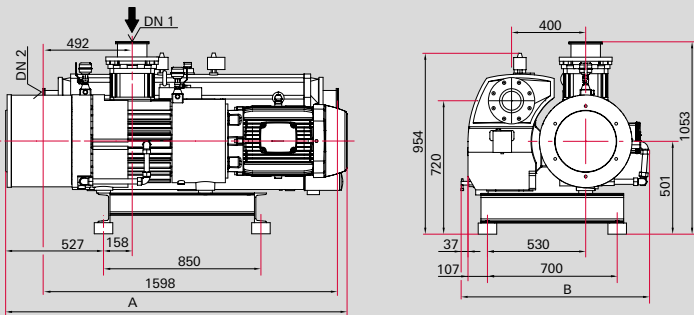
Hena 301



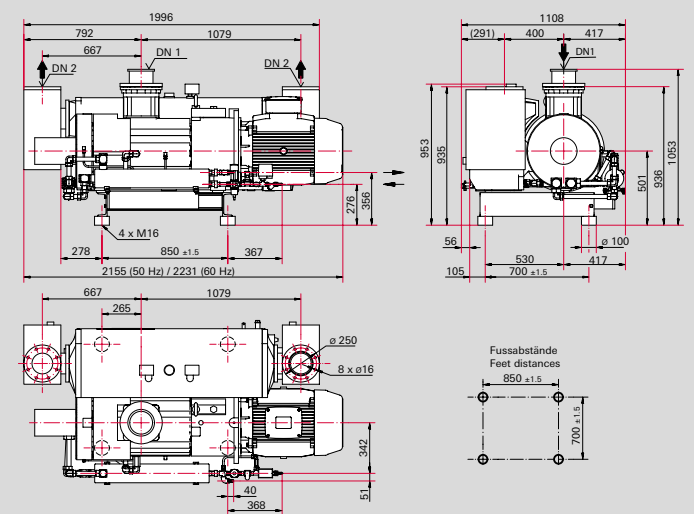
Hena 631



Hena 1000



Hena 1600



Dimensions in mm

Technical data

	Hena 26	Hena 61	Hena 101
Flange (out)		Female thread G 1 1/4"	
Flange (in)		Female thread G 1 1/4"	
Exhaust pressure. max.		Atmospheric pressure	
Exhaust pressure. min.		Atmospheric pressure	
Operating fluid	P3	P3	P3
Operating fluid filling	1 l	2 l	2 l
Rotation speed at 50 Hz	1,500 min ⁻¹	1,500 min ⁻¹	1,500 min ⁻¹
Rotation speed at 60 Hz	1,800 min ⁻¹	1,800 min ⁻¹	1,800 min ⁻¹
Emission sound pressure level with gas ballast at 50 Hz	≤ 60 dB (A)	≤ 64 dB (A)	≤ 65 dB (A)
Emission sound pressure level without gas ballast at 60 Hz	≤ 63 dB (A)	≤ 66 dB (A)	≤ 68 dB (A)
Ultimate pressure with gas ballast	1.5 hPa	≤ 1.5 hPa	≤ 1.5 hPa
Ultimate pressure without gas ballast	0.3 hPa	≤ 0.3 hPa	≤ 0.3 hPa
Gas ballast		Yes, without shut-off valve	
Weight	35 kg	68 kg	77 kg
Cooling method. standard	Air	Air	Air
Leak rate safety valve	≤ 8 · 10 ⁻³ Pa m ³ /s	≤ 8 · 10 ⁻³ Pa m ³ /s	≤ 8 · 10 ⁻³ Pa m ³ /s
Motor protection	No	No	No
Rated power 50 Hz	1 kW	2 kW	2.7 kW
Rated power 60 Hz	1.2 kW	2.4 kW	3.4 kW
Mains requirement: voltage 50 Hz	190–208/380–415 V	190–208/380–415 V	190–208/380–415 V
Mains requirement: voltage 60 Hz	220–230/440–460 V	220–230/440–460 V	220–230/440–460 V
Mains requirement: voltage (range)	±5 %	± 5 %	±5 %
Mains cable	No	No	No
Pumping speed at 50 Hz	25 m ³ /h	63 m ³ /h	100 m ³ /h
Pumping speed at 60 Hz	30 m ³ /h	76 m ³ /h	120 m ³ /h
Switch	No	No	No
Protection category	IP55	IP55	IP55

Order numbers

	Hena 26	Hena 61	Hena 101
50/60 Hz	PK D03 200	PK D03 300	PK D03 350
50 Hz			
60 Hz			

Hena 201	Hena 301	Hena 631	Hena 1000	Hena 1600
	Female thread G 2"	Female thread G 3"		DN 100 ISO-K (2 x)
	Female thread G 2"	Female thread G 3"		DN 160 ISO-K
	Atmospheric pressure			
	Atmospheric pressure		1,000 abs.	1,000 abs.
P3	P3	P3	P3	P3
6.5 l	6.5 l	15 l	30 l	36 l
1,500 min ⁻¹	1,500 min ⁻¹	1,500 min ⁻¹	1,000 min ⁻¹	1,000 min ⁻¹
1,800 min ⁻¹	1,800 min ⁻¹	1,800 min ⁻¹	1,200 min ⁻¹	1,200 min ⁻¹
≤ 72 dB (A)	≤ 74 dB (A)	≤ 77 dB (A)	≤ 82 dB (A)	≤ 82 dB (A)
≤ 74 dB (A)	≤ 76 dB (A)	≤ 79 dB (A)	≤ 82 dB (A)	≤ 83 dB (A)
≤ 0.7 hPa	≤ 0.7 hPa	≤ 0.7 hPa	1.2 hPa	1.2 hPa
≤ 0.3 hPa	≤ 0.3 hPa	≤ 0.3 hPa	1 hPa	0.7 hPa
Yes	Yes	Yes		
182 kg	227 kg	670 kg	1,200 (1,230) kg	1,474 (1,484) kg
Air	Air	Air	Air	Water
≤ 8 · 10 ⁻³ Pa m ³ /s	≤ 8 · 10 ⁻³ Pa m ³ /s	≤ 8 · 10 ⁻³ Pa m ³ /s	≤ 8 · 10 ⁻³ Pa m ³ /s	≤ 8 · 10 ⁻³ Pa m ³ /s
3TF	3TF	3TF	3TF	3TF
5.5 kW	7.5 kW	15 kW	22 kW	30 kW
6.6 kW	9.2 kW	18.5 kW	30 kW	37 kW
200/220– 240/380–415 V	200/220– 240/380–415 V	200/220– 240/380–415 V	380–415/690 V	400/690 V
220–230/440–460 V	220–230/440–460 V	220–230/440–460 V	220/380 V	220–380 V
No	No	No		
200 m ³ /h	300 m ³ /h	630 m ³ /h	1,000 m ³ /h	1,600 m ³ /h
240 m ³ /h	360 m ³ /h	760 m ³ /h	1,200 m ³ /h	1,920 m ³ /h
No	No	No	No	No
IP55	IP55	IP55	IP55	IP55

Hena 201	Hena 301	Hena 631	Hena 1000	Hena 1600
PK D03 400	PK D03 450	PK D03 600		
			PK D02 700	PK D02 810
			PK D02 701	PK D02 811

VACUUM SOLUTIONS FROM A SINGLE SOURCE

Pfeiffer Vacuum stands for innovative and custom vacuum solutions worldwide, technological perfection, competent advice and reliable service.

COMPLETE RANGE OF PRODUCTS

From a single component to complex systems:

We are the only supplier of vacuum technology that provides a complete product portfolio.

COMPETENCE IN THEORY AND PRACTICE

Benefit from our know-how and our portfolio of training opportunities!

We support you with your plant layout and provide first-class on-site service worldwide.

Are you looking for a
perfect vacuum solution?
Please contact us:

Pfeiffer Vacuum GmbH
Headquarters - Germany
T +49 6441 802-0
info@pfeiffer-vacuum.de

www.pfeiffer-vacuum.com