



# Nexlock

Finger-Tight Fittings

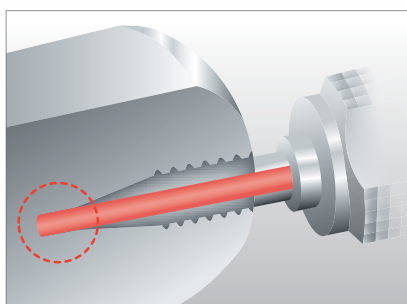
Elegant, Leak-free  
UHPLC/HPLC Connection  
Technology



**Zero Dead Volume**

**Single Part**

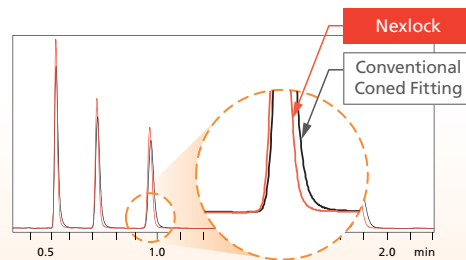
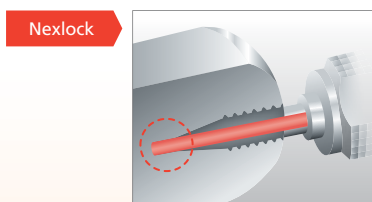
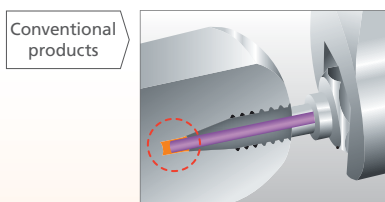
**Reliable**



Nexlock is a re-usable finger-tight fitting that is easy to use, and provides excellent pressure capacity, and durability. The fitting and tube combination ensures proper sealing to achieve a zero dead volume connection, thus minimizing peak broadening and tailing. It withstands pressures up to 130 MPa without the use of tools.

## Nexlock Features

### Minimized dispersion



Connection ports vary in depth, but Nexlock ensures zero dead volume every time by removing human error.

Using Nexlock, peak shape is improved.

### Reusable up to 100 times



Tubes can be connected and disconnected 100 times.

Note: this is standard in use of installation method.

### Compatible with UHPLC



Working pressures up to 19,000 psi.

### Product Specifications

Pressure capacity	130 MPa (~19,000 psi)
Fitting	Screw: No.10-32UNF, Material: SUS316L, can be removed from tube.
Wetted materials	Tube inner surface: SUS316L, tip: PEEK

### Installation Method

1. Attach fitting to the tube.
2. Insert the tube into the connection port.
3. Slide the fitting to the connection port.
4. Tighten by hand until feeling initial resistance, then tighten further by about 1/8 turn (45 degrees).

### Lineup

Description	P/N	Tube Length	I.D.	Remarks
Tubing and fitting set	228-62544-11	600 mm	100 μm I.D.	
	228-62544-13	800 mm		With preheat block for CTO-30A
	228-52597-48			With preheat block for CTO-30A for dual flow line system
	228-52597-47			
Tube only (for maintenance)	228-62544-61	600 mm		
	228-62544-63	800 mm		
	228-52597-49			With pre-heat block for CTO-30A
Fitting only (for maintenance)	228-62544-90	-		-

\* Used when analysis is performed by installing two columns in parallel.

Nexlock is a trade name of Shimadzu Corporation.



Shimadzu Corporation  
www.shimadzu.com/an/

#### For Research Use Only. Not for use in diagnostic procedures.

This publication may contain references to products that are not available in your country. Please contact us to check the availability of these products in your country.

Company names, products/service names and logos used in this publication are trademarks and trade names of Shimadzu Corporation, its subsidiaries or its affiliates, whether or not they are used with trademark symbol "TM" or "®". Third-party trademarks and trade names may be used in this publication to refer to either the entities or their products/services, whether or not they are used with trademark symbol "TM" or "®".

Shimadzu disclaims any proprietary interest in trademarks and trade names other than its own.

The contents of this publication are provided to you "as is" without warranty of any kind, and are subject to change without notice. Shimadzu does not assume any responsibility or liability for any damage, whether direct or indirect, relating to the use of this publication.

© Shimadzu Corporation, 2017  
First Edition: XXXXXX 2017, Printed in Japan XXXX-XXXX-00AXX