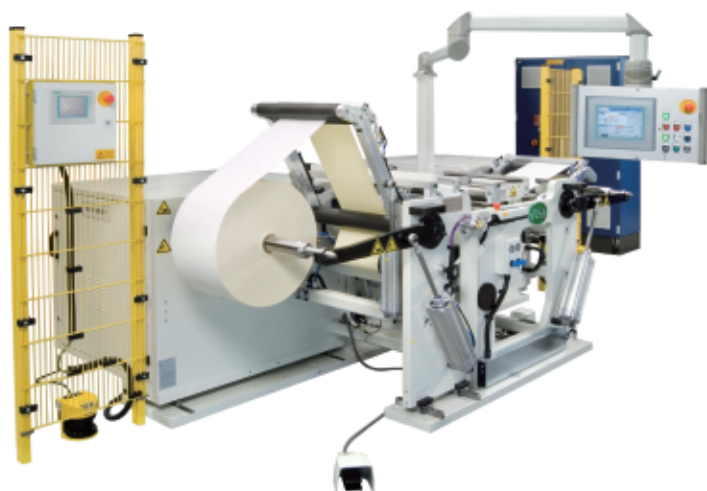


小型检查复卷机 MiniSlit



For small cut formats and large role diameters, for- and backwards applicable

The machines of the MiniSlit Series are most suitable for winding all kinds of packaging materials. While it is very easy to operate nevertheless the machine is able to process very quickly forward and backwards as well as small and large scaled winding diameters.

Functions/ Options as Reel/role Doctor:

- Finding and cutting out defects in the material
- Add-ons like flaw detection systems or handling systems
- Integration of an edge cut system



小型检查复卷机

MiniSlit 系列分切机更多地适用于各种分切和收卷各种包装材料。它非常容易快速向前和向后操作，以及用小直径和大直径收卷辊进行收卷。

成卷质检机的功能/选择：

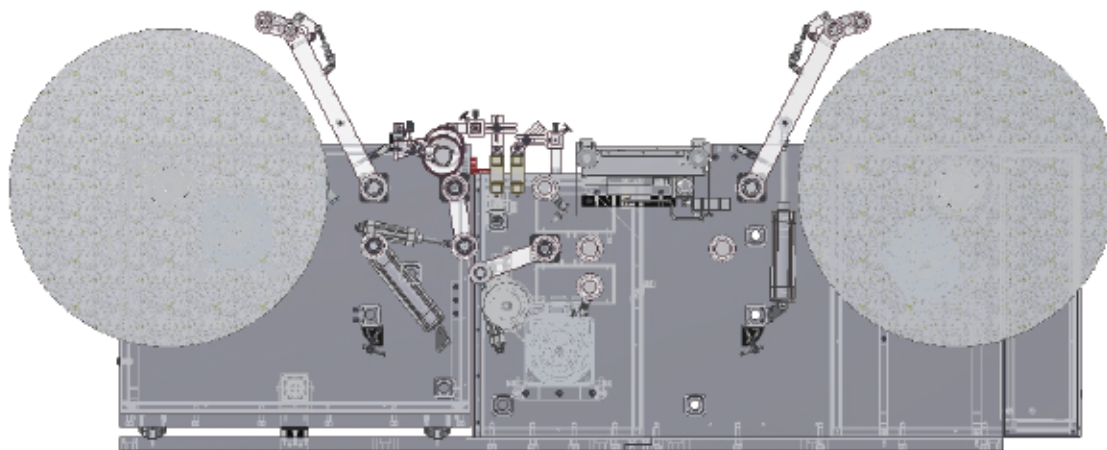
- 找出疵点并可在此疵点切除
- 用于切除疵点的分切或拖持系统
- 可投入使用切边机

Your slitter rewinder perfectly designed!



小型检查复卷机

MiniSlit



Technical Data

技术参数

Working width up to 最大幅宽	1000 mm
Parent roll weight up to 母卷最大重量	1000 kg
Unwinder diameter up to 退卷最大直径	Ø 1200 mm
Core diameter 纸芯直径	50 - 200 mm
Slitting systems 分切系统	shear cut, blade slot cut, pinch cut 剪切, 圆刀分切, 夹持切
Min. slitting width 最小分切宽度	Edge trim and center cut 分切或中心切
max. rewind diameter 最大复卷直径	Ø 1200 mm
max. machine speed 最大运行速度	600 m/min.
Material 适用材料	Packaging films, Soft and hard films, Papers, Laminates, Aluminum composite materials 包装膜, 软膜和硬质膜, 纸张, 层压材料, 铝箔复合材料