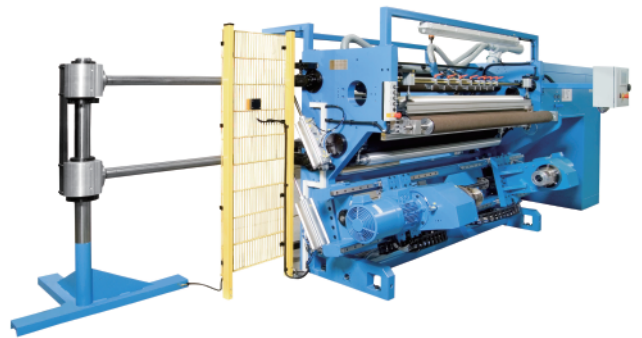
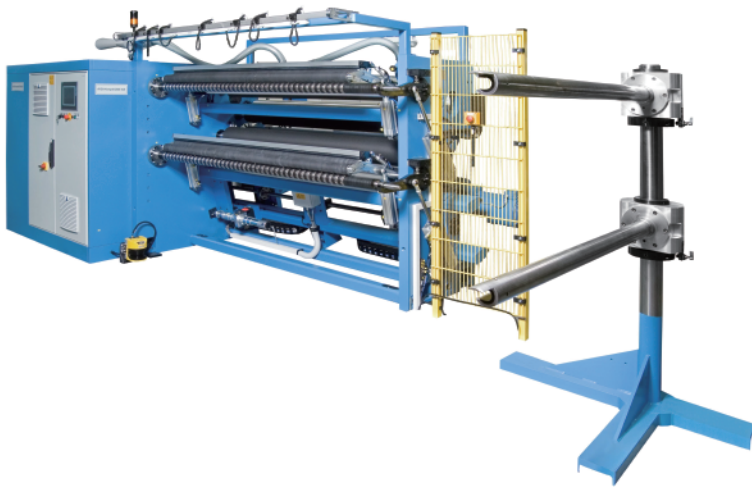


全自动分切复卷机 AllSlit kompakt



Flexible and fast re-toolable slitting machine with optimal handling.

操作灵活、简便的分切复卷机

Very compact and extremely economical slitter and winder, which processes almost any material with the highest precision.

The machines of the AllSlit-series rewind the finished rolls on two winding levels above each other in operator friendly height. The unwind is integrated into the machine and allows a very compact design.

Optional available automatic handling systems simplifies handling and reduces downtime. Our handling systems can also bring the finished rolls to a further handling. The rolls are being cut off automatically and transported via robots or conveyor belts to the packing station.

凭借极为精巧合理的外形设计，AllSlit系列分切机能以最高的精确度分切各种材料。

AllSlit系列分切机将成卷收卷到两个上下叠放的卷辊上，这两个卷辊均被安装在适于操作的高度上。内置在机组内的退卷装置可达到减小机组体积的目的。

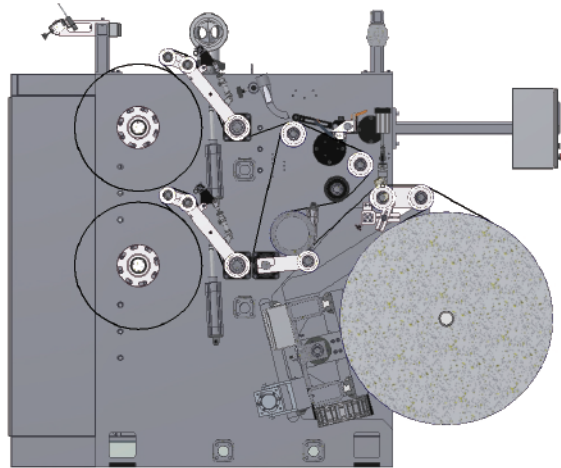
可选自动换卷系统能简化操作并缩短换卷停机时间。我们的换卷操作系统也可将成卷运送到下一步工序中。(成卷将被自动切断并借助机器人或传送带运送到包装站)

Your slitter rewinder perfectly designed!



全自动分切复卷机

Allslit kompakt



Technical data

技术参数

Working width 最大幅宽	400 - 2000 mm
Parent roll weight up to 母卷最大重量	2000 kg
Unwind diameter up to 退卷最大直径	Ø 1000 mm
Core diameter 纸芯直径	Ø 50 - 200 mm
Slitting systems 分切系统	shear cut, blade cut in groove, cut in air, rush cut, burst cut 剪切,切槽分切,悬空切,压切,破裂切
min. slitting width 最小分切宽度	10 mm
max. rewind diameter 最大复卷直径	Ø 600 mm
max. machine speed 最大运行速度	600 m/min.
Materials to processed 适用材料	technical films, packaging films, soft and hard films, Papers, Laminates, aluminum composite materials 工业用膜, 包装膜, 软膜和硬质膜, 纸张, 层压材料, 铝箔复合材料