

BISS AC-05-XXCXX Series Compression Platen are designed to meet the requirements of compression test as per relevant standard practices. These platen are made of hardened steel for long life and minimal wear. Concentric rings etched on the surface help centring the specimen and inhibiting slide without affecting the test. These compression platens rest on a spherical seating which ensures alignment to the specimen. Platen are available with maximum diameter ranging from 60 mm to 300 mm and can be used up to 1000 °C.



### Standard features

- Circular centring rings
- Spherical seating for self-alignment
- Durable
- In accordance with relevant standard practice
- Wear resistant
- Case hardened

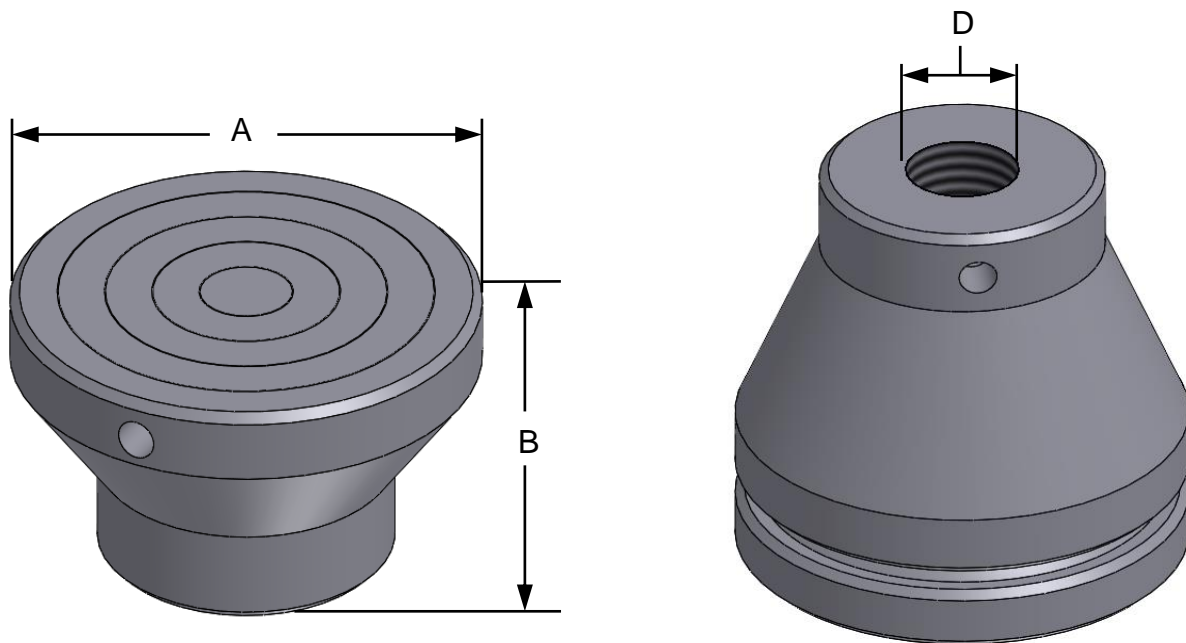


## Specifications

Model No.	Capacity	Platen Diameter (A)	Height		Mounting Thread size(D)	Weight
			(B)	(C)		
AC-05-0X-C06	50 kN	Ø60 mm	35 mm	54 mm	M27X2 RH	4 kg
AC-05-0X-C10	100 kN	Ø100 mm	60 mm	100 mm	M27X2 RH	10 kg
AC-05-0X-C15	300 kN	Ø150 mm	70 mm	102 mm	M50X2 RH	15 kg
AC-05-0X-C20	500 kN	Ø200 mm	75 mm	150 mm	M50X2 RH	25 kg
AC-05-0X-C30	1000 kN- 2000 kN	Ø300 mm	120 mm	190 mm	M90x2 RH	45 kg

AC-05-01-CXX series represents platen for room temperature applications

AC-05-02-CXX series represents platen for high temperature (up to 1000 °C) applications



Note: Products and accessories can also be customized as per requirement.