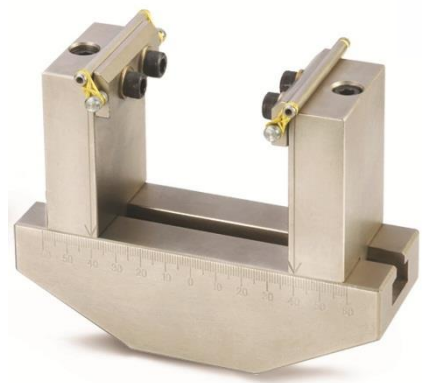
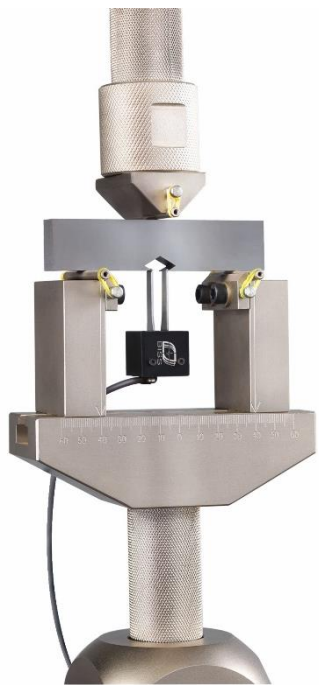


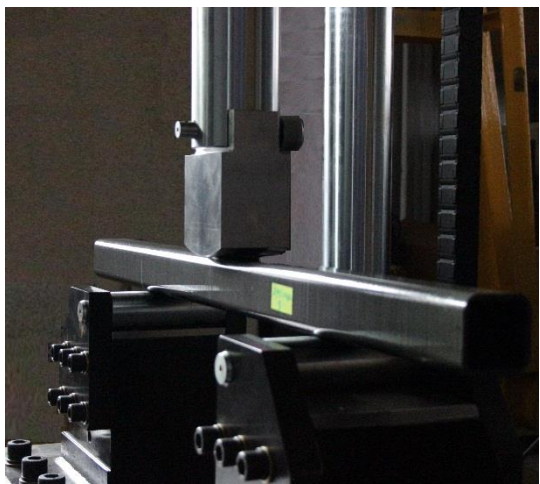
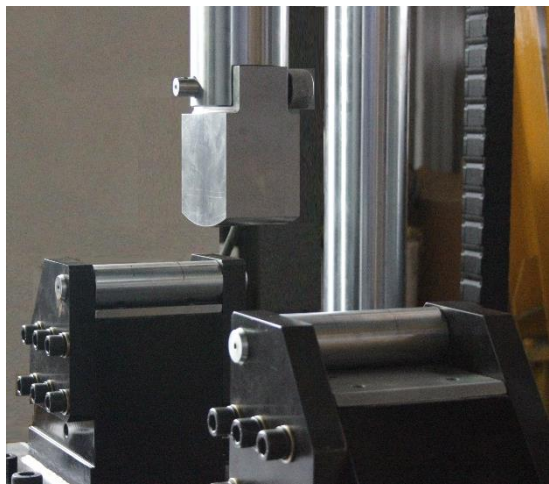
AC-05-0X-BX Series 3 point bend fixtures are required to perform static and cyclic flexural tests in compliance with a variety of test standards including ASTM E399, ASTM E1820, ASTM D2344, ASTM D790, ISO 6872. These fixtures are available in a wide range of load capacities from 5 to 1000 kN as well as of span length ranging from 100 to 2000 mm. They are rated to operate in the temperature range -40 °C to +80 °C and are suitable for use with most materials including metals, ceramics, composites, plastics and wood.

Each fixture is provided with arrangement for precision repositioning of roller position to set the required span of testing. Sufficient clearance is provided for mounting BISS AC-07-XXXX series of Crack Opening Displacement gages to perform fracture toughness and fatigue crack growth tests in accordance with ASTM E399, E1820 and E647.

In the event where testing is required in corrosive media, the fixture may be used in inverted condition. Teflon coating on the fixture helps for electrical insulation and potential control.

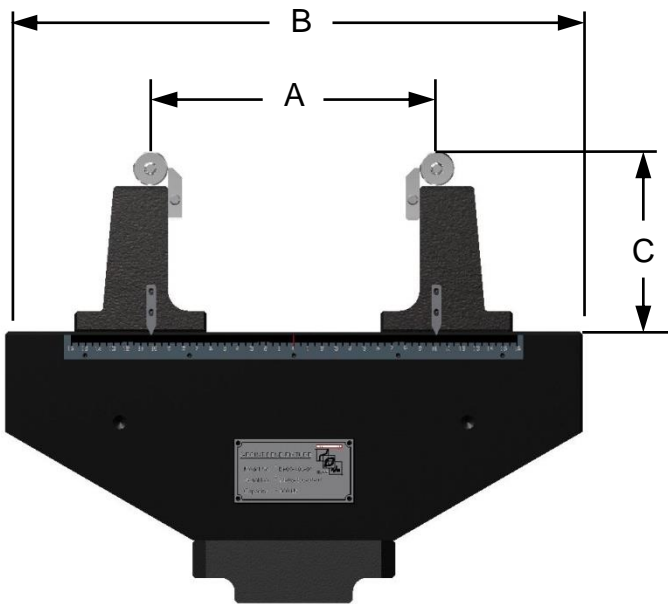


- Standard features**
- Adjustable span width
 - Scale for precision location
 - Corrosion resistant
 - Compliant with relevant ASTM practices

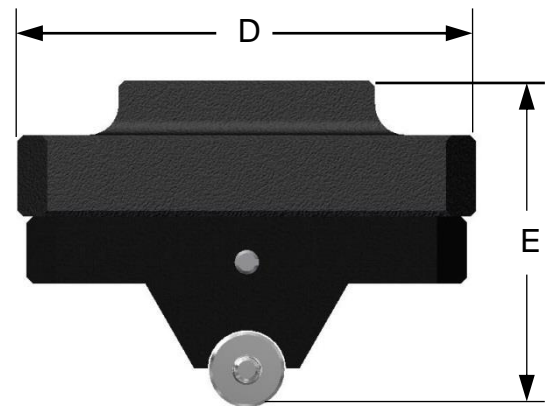


Specifications

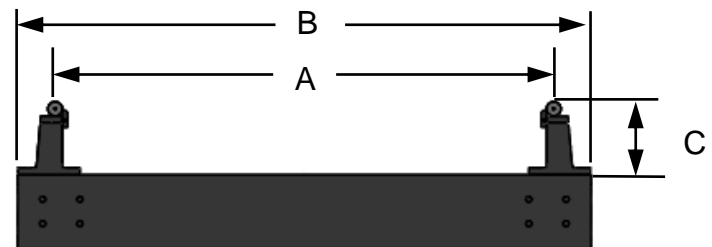
Model Number	Capacity in kN	Roller Diameter in mm	Roller Width in mm	Maximum Span(A) in mm	(B) in mm	(C) in mm	(D) in mm	(E) in mm	Bottom Mount Allen Bolt size	Top Mount Thread size
AC-05-01B1	25	Ø5	64	100	145	98	Ø40	36.25	M16-6H	M27X2-6H Adaptor
		Ø10	64			103		41.25		
AC-05-01B2	50	Ø10	98	150	240	90	96	72	M16-6H	M16-6H Allen bolt
AC-05-01B3	100	Ø12.7	87	400	470	65	Ø75	75	M16-6H	M27X2-6H Adaptor
AC-05-01B4	150	Ø24	113	300	416	129	146	106.5	M24-6H	M16-6H Allen bolt
AC-05-01B5	300	Ø25	128	250	365	130	146	107	M24-6H	M16-6H Allen bolt
				300	415					
AC-05-01B6	1000	Ø60	250	2000	2300	300	250	190	-	M90X2- 6H Adaptor



Bottom mount assembly



Top mount assembly



1000 kN Bottom mount assembly

Note: Products and accessories can also be customized as per requirement.