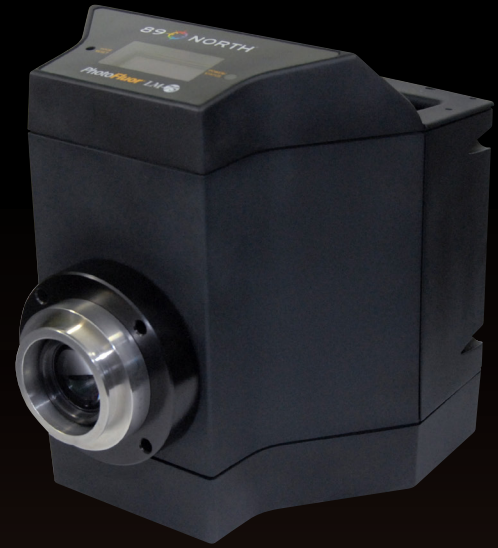
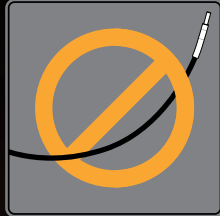


PhotoFluor[®] LM-75

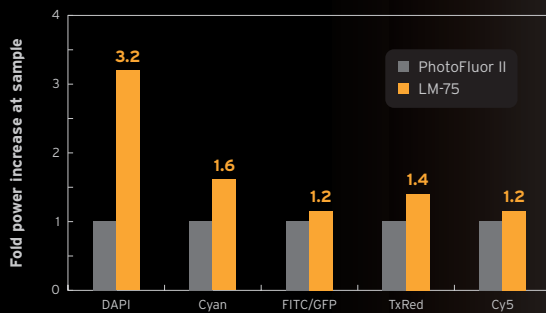
World's first **direct-mounted** metal-halide light source for fluorescence imaging



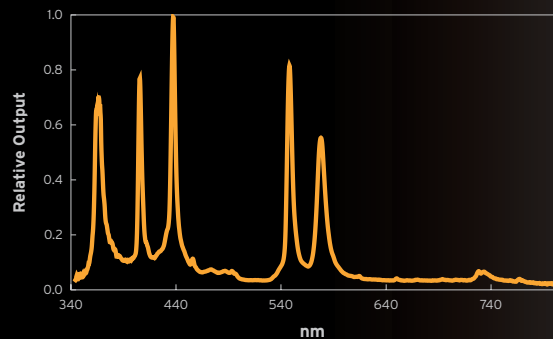
NO Liquid Light Guide Required



More power where it counts



Wide output spectrum similar to Hg



Prealigned lamp
no user alignment

Lamp life up to 1500hrs
>7x mercury

Full output spectrum available
340-800nm

Built-in ballast = no external controller
less bench space required

Low upfront cost + long lamp life + no LLG =
lower overall cost of ownership

Physical Specifications

Lamp House Dimensions	170mm (6.7in) W X 181mm (7.1in) D X 191mm (7.5in) H
Lamp House Weight	3.75-4lbs

Environmental Specifications

Operating Temperature	Normal: 10-28°C, Safely: 5-40°C
Storage Temperature	-18-55°C
Operating Humidity	<95% non-condensing

Electrical Requirements

Input Voltage	100-250V AC
Fuse	None

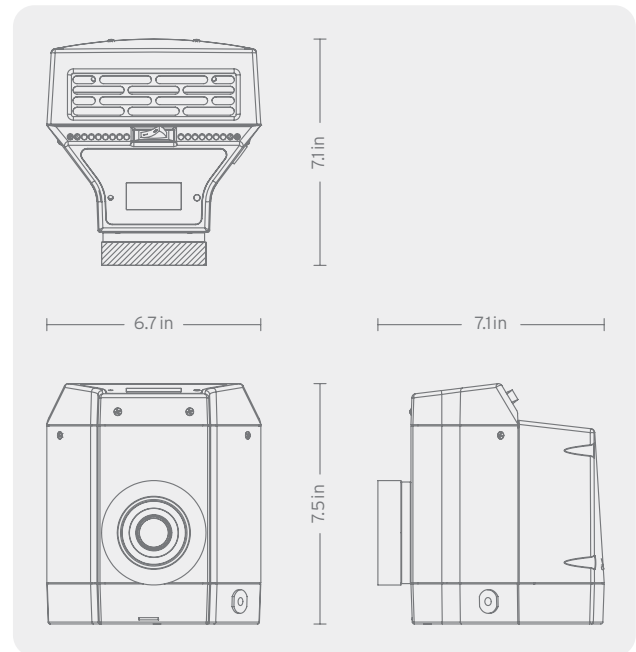
Lamp Specifications

Lamp Type	Metal halide
Power	75W
Lifetime	1250hrs guaranteed, 1500hrs typical
Warm Up Time	3 minutes
Cool Down Time (firmware controlled)	3 minutes
Output Stability	<1% RMS from DC-stabilized ballast
Output Range	340-800nm

Microscope Attachment

Coupling Type	Direct mount
----------------------	--------------

Certifications (Expected)	CE RoHS FCC WEEE
--------------------------------------	---------------------------



89 NORTH™

1 Mill St., Unit 285
Burlington, VT 05401 USA

toll free 1.877.417.8313
main +1.802.881.0302
fax +1.802.881.0308

sales@89north.com
www.89north.com



All specifications are subject to change.
Please recycle this document when finished.

