

CHARACTERISTICS

	MINITECH 233	MINITECH 263	MINITECH 265
Number of polishing platens	1	2	2
Number of motors	1	1	2
Diameter of the platen(s)	200 to 250 mm	200 to 250 mm	200 to 250 mm
Rotation speed (per step of 1 RPM)	20 to 700 RPM	20 to 700 RPM	20 to 700 RPM
Direction of rotation	Clockwise and counter-clockwise	Clockwise and counter-clockwise	Clockwise and counter-clockwise
Time	✓	✓	✓
Speed display	✓	✓	✓
Time display in seconds	✓	✓	✓
Display of manual force applied	✓	✓	✓
Memorization of parameters	✓	✓	✓
Multi-jet water spray system	✓	✓	✓
Motor power	250 W	250 W	2 x 250 W
Drying function 700 RPM	✓	✓	✓
High motor torque	✓	✓	✓
Constant speed of the platen	✓	✓	✓
Immediate stop of the platen	✓	✓	✓
Ball bearing transmission	✓	✓	✓
Removable composite bowl	✓	✓	✓
Progressive acceleration of the platen	✓	✓	✓
Splash guard	✓	✓	✓
Voltage / Frequency / Max. current	230 VAC / 50-60 Hz / 8A	230 VAC / 50-60 Hz / 8 A	230 VAC / 50-60 Hz / 8A

ACCESSORIES

Platens & base drive platens

- 56350**
Drive platen with positioners (aluminium, Ø 196mm)
- 67221**
Drive platen with positioners (aluminium, Ø 245mm)
- 67822**
Almagtech platen Ø 200mm
- 67820**
Almagtech platen Ø 250mm
- 56066**
PVC platen Ø 230mm with cone housing
- 56062**
PVC platen Ø 250mm with cone housing
- 56053**
Full PVC platen Ø 200mm with machined cone
- 56063**
Full PVC platen Ø 250mm with machined cone
- 56054**
Circular paper holder (metal) Ø 200mm

56055

Circular paper holder (metal) Ø 250mm

56067

Circular paper holder (PVC) Ø 200mm

56068

Circular paper holder (PVC) Ø 250mm

Covers for polishing machines

66050

PVC lid (Mintech 233/263/265)



PRESI IS ALSO...



MINITECH 233 - 263 - 265

INNOVATION IN POLISHING



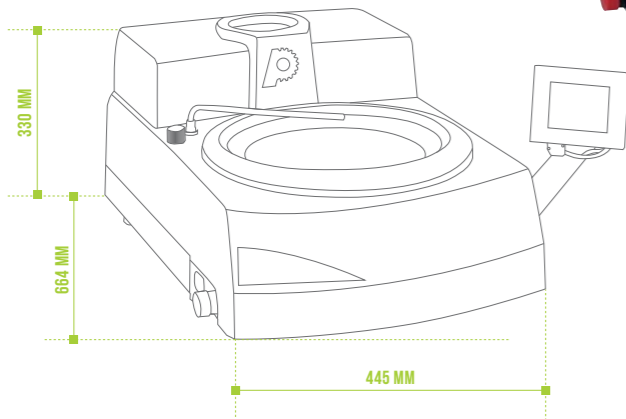
The top of the range of manual polishing machines, MINITECH 233-263-265 are powerful, efficient and silent with a transmission through belts and high quality bearings.

FUNCTIONALITIES

MINITECH 233 REF. 66300

Width	445 mm
Depth	664 mm
Height	330 mm
Weight	29 kg
Conformity	EC

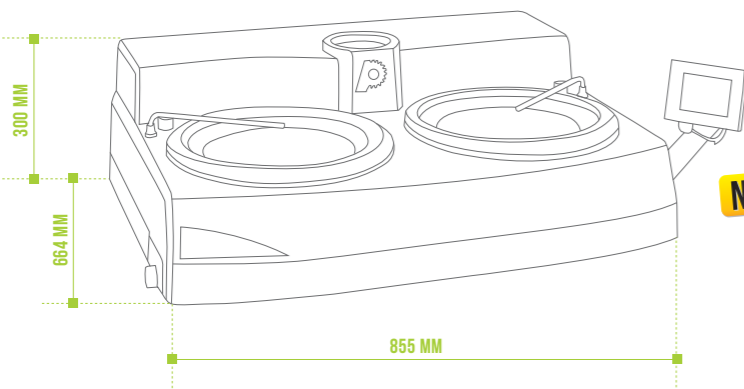
The top of the range manual polishing machines
MINITECH is equipped with powerful motors controlled by a frequency inverter with vectorial flow technology. All the settings are adjustable and programmable.



- NEW!**
- Technical specifications**
- 1 polishing station Ø 200 or Ø 250mm
 - 1 TFT LCD colour touch screen
 - 1 motor
 - 1 multi jet water-spray system
 - 1 removable bowl
 - Water inlet: designed for a hose with inside Ø 12mm (not supplied)
 - Water outlet: delivered with a hose with outside Ø 38mm

MINITECH 263 REF. 66302

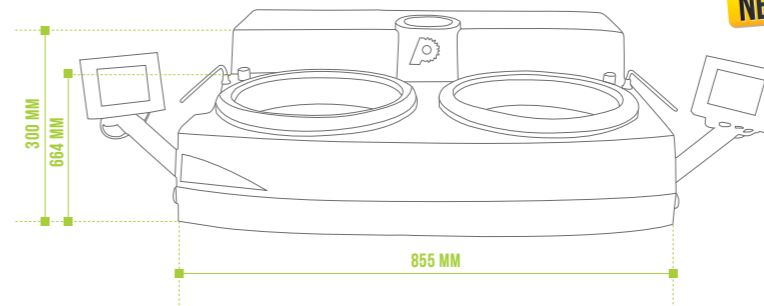
Width	855mm
Depth	664mm
Height	300mm
Weight	44kg
Conformity	EC



- NEW!**
- Technical specifications**
- Double polishing machine Ø 200 or Ø 250mm
 - 1 TFT LCD colour touch screen
 - 1 motor (the 2 platens are driven simultaneously)
 - 2 independant multi-jet water spray systems
 - 2 removable bowls
 - Water inlet: designed for a hose with inside Ø 12mm (not supplied)
 - Water outlet: delivered with a hose with outside Ø 38mm

MINITECH 265 REF. 66303

Width	855mm
Depth	664mm
Height	300mm
Weight	52kg
Conformity	EC



- NEW!**
- Technical specifications**
- Double polishing machine Ø 200 or Ø 250mm
 - 2 TFT LCD colour touch screens
 - 2 independant motors
 - 2 independant multi-jet water spray systems
 - 2 removable bowls
 - Water inlet: designed for a hose with inside Ø 12mm (not supplied)
 - Water outlet: delivered with a hose with outside Ø 38mm

FUNCTIONING

EFFICIENCY

Polishing machines MINITECH are robust, powerful and reliable, incorporating the most advanced technologies for an easy use and simple maintenance.

CONVENIENCE

Thanks to the LCD touch screen which can be positioned on the left or right side of the polishing machine, it is very easy to set the parameters such as speed, rotation direction, water spray and time. 3 polishing programs can be stored in the memory of the touch screen. Parameters may also be changed during the polishing work. The pressure applied to the polishing plate can be displayed thanks to a force sensor. Multi-jet water spray with adjustable flow is continuously cooling the plate and reduces consumption of water.

RESISTANT

Equipped with removable bowls, MINITECH polishing machines are very easy to clean. Their composite bodies and bowls protect them against rust.

ADAPTABILITY

Their new technology provides a constant rotation of the plate, whatever the force applied, giving the possibility to polish large sized samples. MINITECH range can be equipped with plates Ø 200mm or Ø 250mm (except MINITECH 333 equipped with plates Ø 250 to 300mm).

