

CUTTING



MOUNTING



POLISHING



HARDNESS TESTING



# DISTRITECH 6

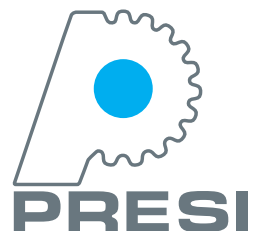
STAND-ALONE DISPENSING SYSTEM BY PRESI  
RETROFIT ANY POLISHER CURRENTLY ON THE MARKET



Automatic and programmable slurry  
dispensing system.  
Compatible with any polishing machine  
on the market.



A STRONG WORLDWIDE PRESENCE THROUGH SUBSIDIARIES AND MORE THAN 35 DISTRIBUTORS



# FUNCTIONALITIES

## REF. 67880

**Width**  
310mm

**Depth**  
530mm

**Arm raised**  
290mm

**Arm lowered**  
270mm

**Weight**  
19kg

**Conformity**  
EC

**Number of pumps**  
6 (1 dedicated for SPM with rinse)

**Maximum flow rate**  
80 ml/min

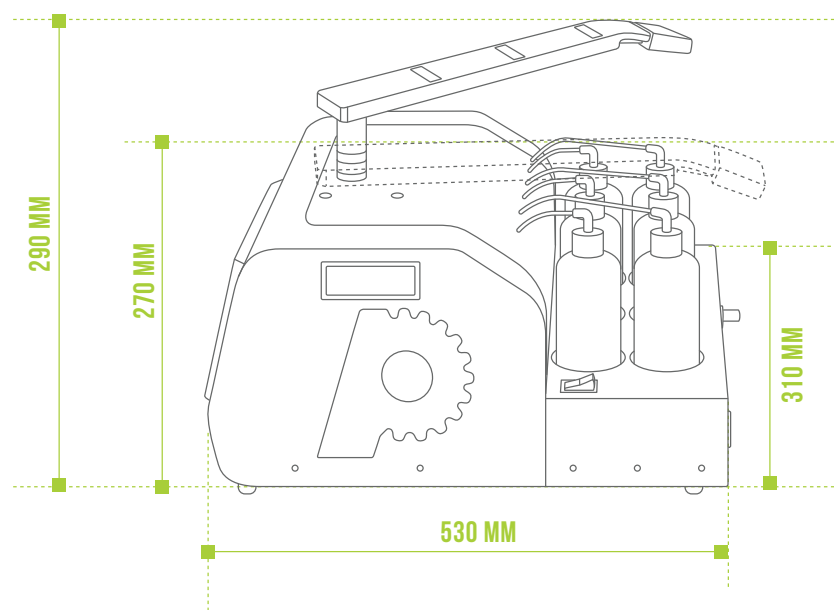
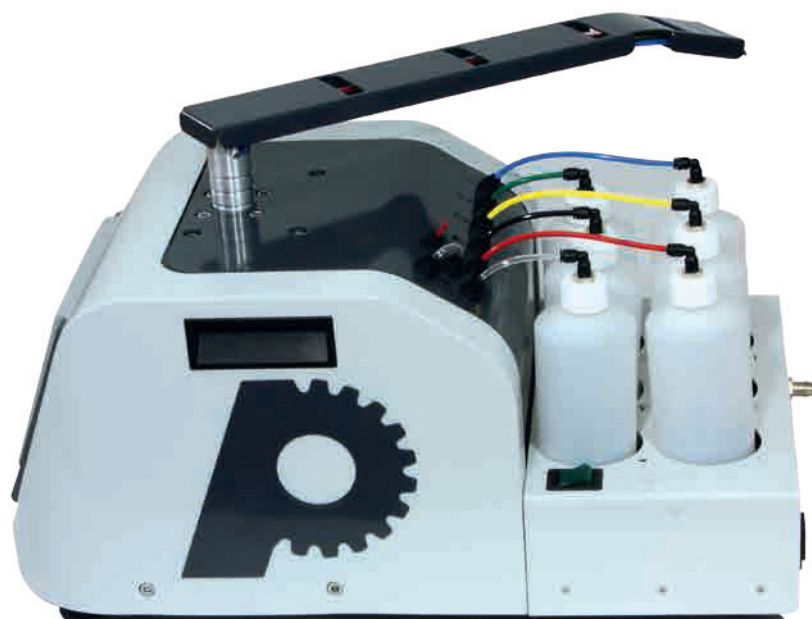
**Electrical Power**  
220 V / single phase / 50-60 Hz  
110 V on request

### Technical specifications

- Automatic dispenser with 6 bottles.
- Each pint bottle has individual peristaltic micro pump and color coded tubing to avoid cross contamination.
- Automatic primer with individual dosage for each bottle.
- Rinse function on one bottle allows for the use of colloidal silica without crystallization.

## Abrasive dispensing system, totally autonomous.

The Distritech 6 provides dispensing of up to 6 different abrasive solutions via peristaltic pumps. Each automatically set for precise and reproducible dosing. The SPM station is dedicated for dispensing colloidal suspensions and has a water rinsing feature.



# FUNCTIONING

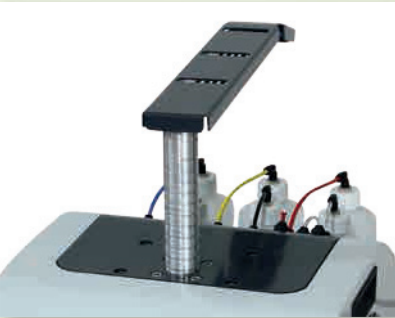
## OPTIMIZED AND AUTOMATED FUNCTIONING

Practical and functional with an auto rinse feature for use after colloidal suspensions are used.



## ADAPTABLE

The Distritech 6 with its 180 degree rotatable and height adjustable arm allows it to be shared between two machines at the same time and can be used with any polishing machine on the market.



## PROGRAMMABLE

Ergonomically designed, the colour touch screen provides control of system parameters for optimal, automated consumable dispensing, with memory for up to 50 programmes, viewable in multiple languages.



# CONSUMABLES



STORAGE TOWER



POLISHING CLOTHS



DIAMOND SUSPENSIONS



GEL 2+



LUBRICANTS

# PRESI IS ALSO...

## CUTTING



Mecatome ST310

## MOUNTING



Mecapress 3

## POLISHING



Mecattech 334

## HARDNESS TESTING



Microtech MX 1

## CONSUMABLES



Resins



FIND OUT MORE AT  
[WWW.PRESI.COM](http://WWW.PRESI.COM)

