

CF 20/-R

True Simplicity



CF 20
Ventilated



CF 20-R
Refrigerated

QUICK FACTS



4 x 200 ml
36 tubes



4400 rpm



3500 xg

CLASSIC CENTRIFUGES

The CF 20 series, **4 x 200ml**, offers user-friendly ergonomics: motorized lid opening, reduced height to ensure perfect visibility while loading samples, 10 programs in memory for immediate use, AWELight illuminated handle to indicate end of run...



- Compact design
- Operational immediately
- Ease of use
- End of run indication



French design and manufacturing

The development program has resulted AWEL centrifuges including the filing of 4 patents in 2009.

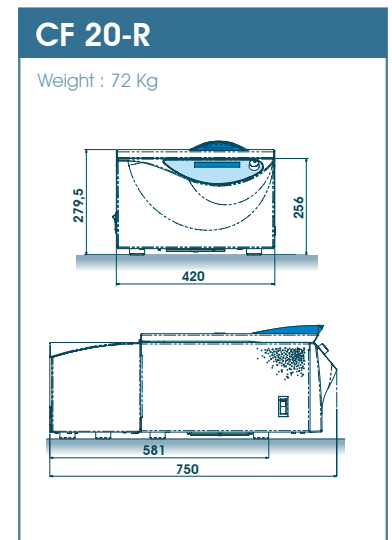
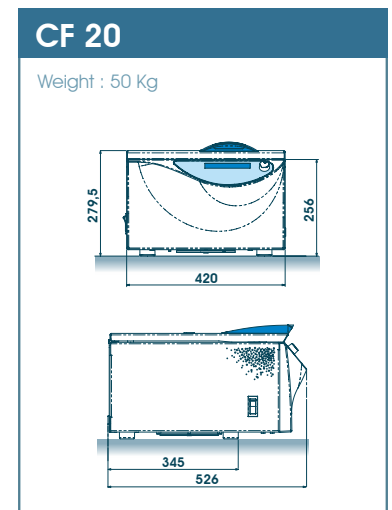


AWEL, a new French brand of centrifuge, is positioned today as the **alternative** for your laboratories in research, clinical and transfusion applications. Their design, targeted towards **ergonomics**, is a reference in safety and convenience. The technical innovations optimize **productivity** in your laboratory work.

[Machine specifications]

Specifications	CF 20	CF 20-R
Max. speed Swing-out rotor Angle rotor	4400 rpm 4400 rpm	4400 rpm 4400 rpm
Max. RCF Swing-out rotor Angle rotor	3500 xg 3030 xg	3500 xg 3030 xg
Max. capacity Swing-out rotor Angle rotor	4 x 200 ml 32 x 15 ml	4 x 200 ml 32 x 15 ml
Control system	microprocessor	microprocessor
Speed range	500 to 4400 rpm	500 to 4400 rpm
Speed precision	20 rpm	20 rpm
Temperature Range	-	-20 to +60°C
Timer	0 - 99h50 and continuous	0 - 99h50 and continuous
Acceleration / Braking Rates	10 / 10	10 / 10
Programs	10	10
Lid Opening	motorized	motorized
Motor type	induction	induction
Certification	EC marked : IEC 1010-1 ; IEC 1010-2-020 Directives	
Dimensions (HxWxD)	280 x 420 x 520 mm	280 x 420 x 750 mm
Crating (HxWxD)	460 x 610 x 650 mm	460 x 610 x 890 mm
Weight (Net/Crated)	50 / 56 kg	70 / 79 kg
230 V - 50 Hz version	20010002	20011001

[Dimensions]



[Accessories]

Ref.	Accessories
30020019	SL-200 Swing-out rotor 4 x 200 ml
30000035	N-200 buckets for SO-200 swing-out rotor - Set of 4
30000008	BL-125/200 lids for N-125 & N-200 buckets - Set of 4
30000023	Inserts for 7 x 1.5/2 ml microtubes - Set of 4
30000017	Inserts for 12 x 5 ml open tubes - Set of 4
30000010	Inserts for 6 x 5-7 ml collection tubes - Set of 4
30000020	Inserts for 7 x 5-7 ml BD & Greiner collection tubes Set of 4
30000024	Inserts for 9 x 5-7 ml Terumo collection tubes - Set of 4
30000012	Inserts for 6 x 10 ml collection tubes - Set of 4
30000021	Inserts for 7 x 10 ml BD collection tubes - Set of 4
30000014	Inserts for 3 x 15 ml conical tubes - Set of 4
30000022	Inserts for 4 x conical tubes dia. 22 mm - Set of 4

Ref.	Accessories
30000016	Inserts for 1 x 50 ml conical tube - Set of 4
30000031	Inserts for 1 x 100 ml tube dia. 44 mm - Set of 4
30020003	AMF 20-32.15 Angle rotor 32 x 15ml
30020002	SL20-MTP Swing-out rotor for microtitration buckets
30000026	2 microtitration buckets - capacity 2 x 3 microplates



ref. 30000014



ref. 30000016



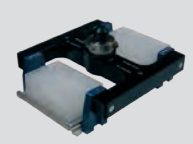
ref. 30000020



ref. 30000021



ref. 30000034



ref. 30020002



YOUR AWEL PARTNER