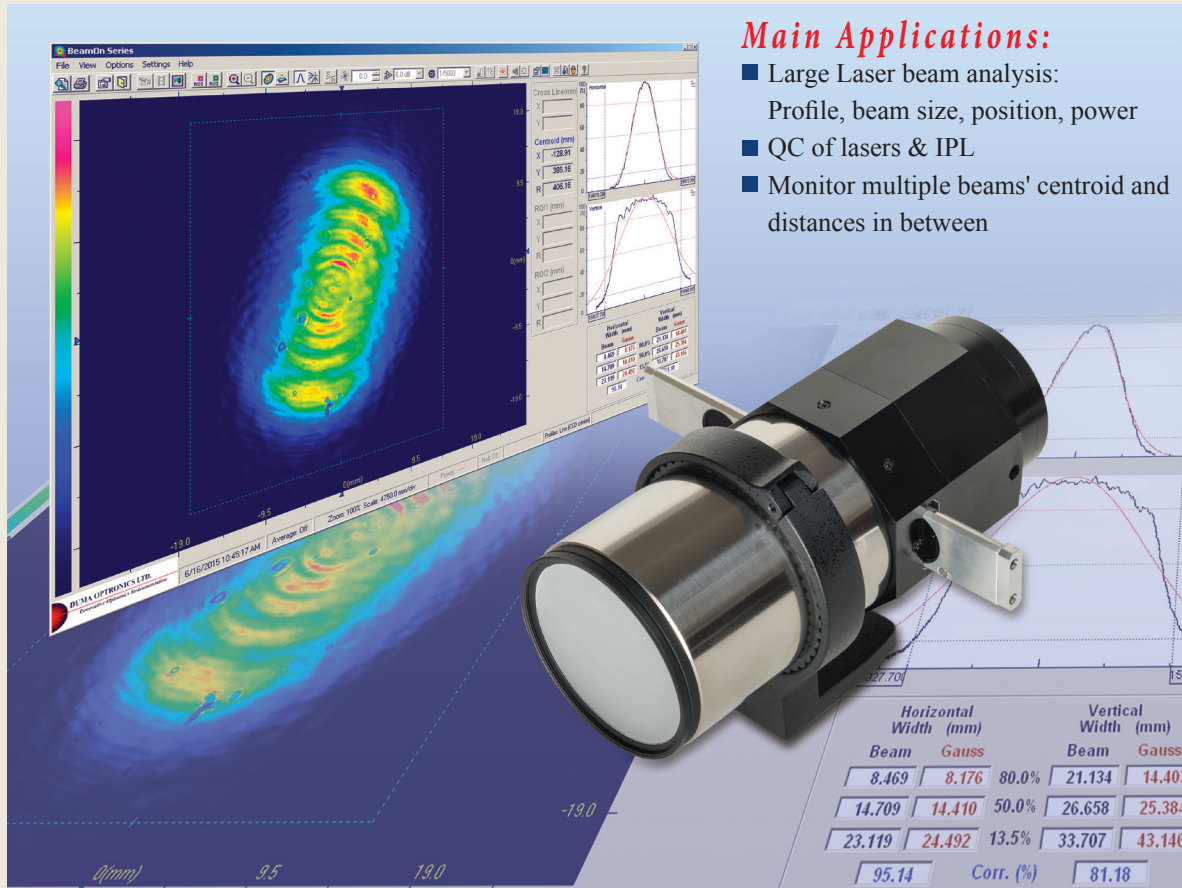


# BeamOn LA

IPL (Intense Pulsed light) &  
Large Laser beams  
Beam Profiler



## Expanding your profiling capabilities

### Main Software Features

- Real time beam size and gaussian fit
- 2D/3D plots of beam in real time
- Software controlled electronic shutter & gain
- Video with playback
- Snapshot files save & replay
- Data exporting to another computer via RS232/TCP-IP
- Data logging with detailed statistics
- Control DLL for a custom application
- Pass/Fail analysis according to IEC60601-2-57 standard
- Three ROI (Regions of interest) to monitor up to 3 beams' centroids simultaneously
- Power measurement – custom calibrated
- IPL beam characterization, rectangular footprint with diagonal up to 60mm
- Full beam profiling down to a few microns accuracy
- Intensity displayed in matrix form
- Adjustable matrix table with automatic calculation of power in each cell
- Report function, beam analysis settings & results
- Multiple systems operation
- Full session recordings for off-line analysis
- Power in the bucket function for a selected region on the beam

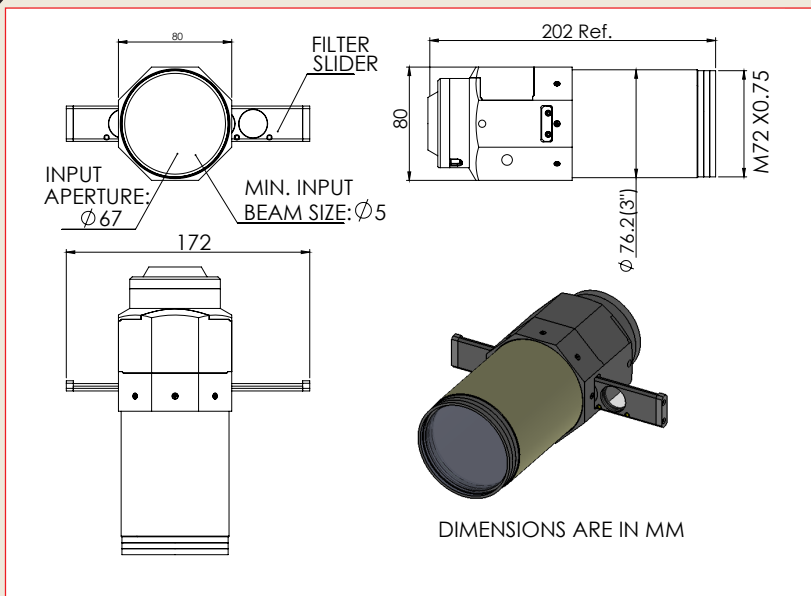


**DUMA OPTRONICS LTD.**

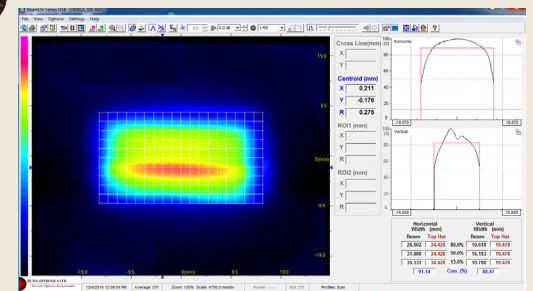
1st Hazait St., P.O.Box 3370 Nesher 3675018, Israel Tel:972-4-8200577 Fax: 972-4-8204190  
Website: <http://www.duma.co.il> E-mail: [sales@duma.co.il](mailto:sales@duma.co.il)

# Specifications

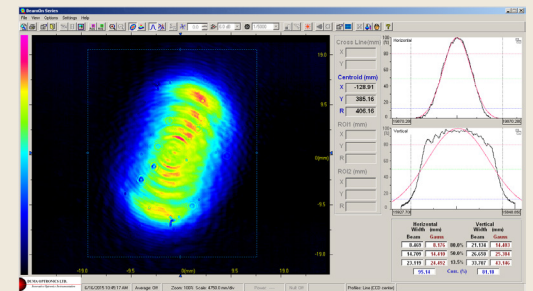
## Sensor Head Drawing:



## Sample Screens



IPL testing screen



Large laser beam testing screen

## General Specifications

<b>PC interface:</b>	USB2.0 Attachment, 1.8m long
<b>RS232 / TCP-IP</b>	Data out
<b>Operating temp:</b>	-10°C to 50°C
<b>Storage temp:</b>	-40°C - 60°C
<b>CE compliance:</b>	

## Ordering Information

The system comes with a sensor head, a built-in filter slider with a set of 5xND filters (ND8, ND64, ND200, ND400, and ND1000), a USB 2.0 attachment, software and user manual on CD disk / DiskOnKey, carrying case.

<b>BeamOn LA VIS-NIR:</b>	for spectral range 350-1310nm
<b>BeamOn LA UV-NIR:</b>	Optional, consult factory

## Host Computer Requirements

Dual-Core, 2.4GHz, 2GMB RAM, 512 MB 24 bit color graphic adapter, resolution 1024x768 (recommended 1366X768), CD ROM any type, High Speed USB2.0 port, OS Win 7/8

## System Performance with Software

<b>Spectral range</b>	VIS-NIR 350-1310 nm
<b>Power level:</b>	Up to 100J/cm <sup>2</sup> (or 100W/cm <sup>2</sup> )
<b>Max frame rate:</b>	25Hz
<b>Image Resolution:</b>	720X576
<b>Shutter speed:</b>	1/50 to 1/100,000sec, 9 steps
<b>Gain control:</b>	6dB to 60dB 16 steps
<b>Null:</b>	In CW Null mode function is available to automatically subtract background up to 1X10 <sup>10</sup> using ND1000 filter and software controlled electronic shutter and gain
<b>Optical dynamic range:</b>	
<b>Damage threshold:</b>	100J/cm <sup>2</sup>
<b>Sensitivity:</b>	0.1μW/cm <sup>2</sup> at 633nm (VIS-NIR)
<b>Saturation:</b>	100W/cm <sup>2</sup> with NG1000 Filter
<b>Operation with pulsed lasers:</b>	Ability to capture and replay images from slowly pulsing lasers (1-100Hz) while filtering out frames with no laser pulse. Provision for displaying single shut pulses.
<b>Triggering:</b>	In pulsed mode set threshold by slide bar to display frames with captured pulses
<b>Minimal beam size:</b>	Ø5mm
<b>Sensor active area:</b>	58mmX45mm
<b>Sensor weight:</b>	1.1 kg with cable
<b>Power consumption:</b>	2.6 Watts through USB2.0 port

**DUMA OPTRONICS LTD.**

1st Hazait St., P.O.Box 3370 Neshar 3675018, Israel Tel:972-4-8200577 Fax: 972-4-8204190  
 Website: <http://www.duma.co.il> E-mail: [sales@duma.co.il](mailto:sales@duma.co.il)