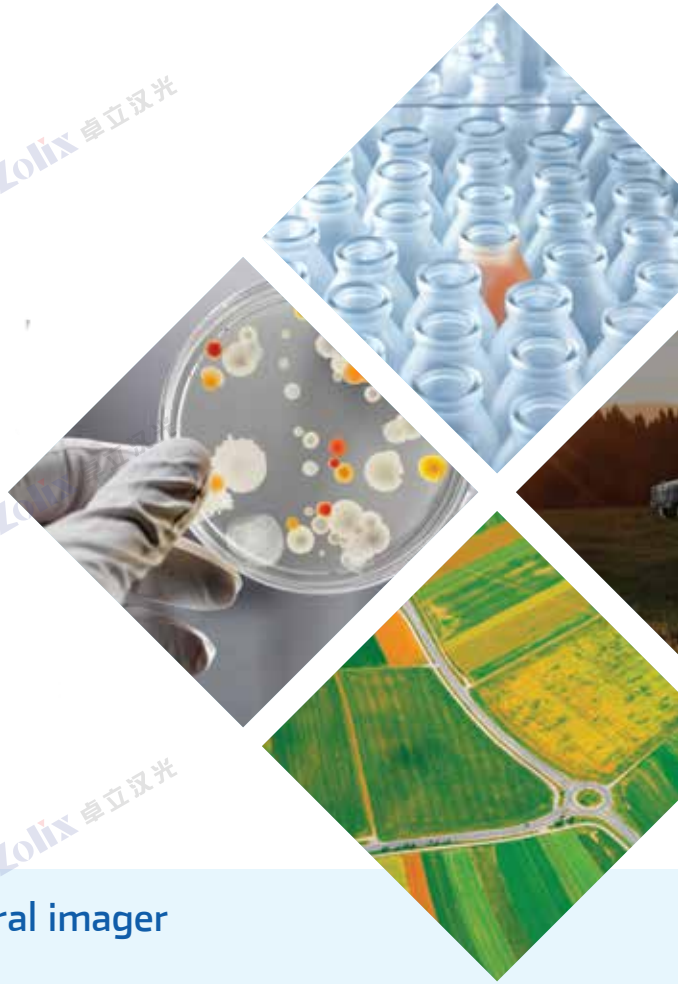


SpectroCam™

Multispectral Camera | SWIR

PIXELTEQ

micro-patterned filters | sensors | cameras

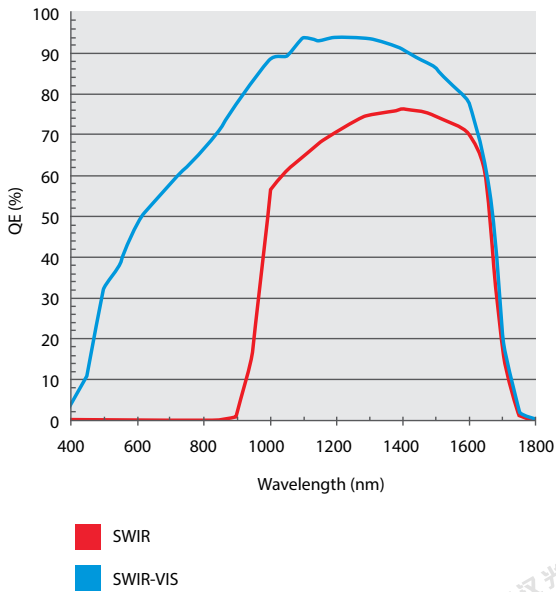


Sequential 6-band multispectral imager 500 - 1700nm

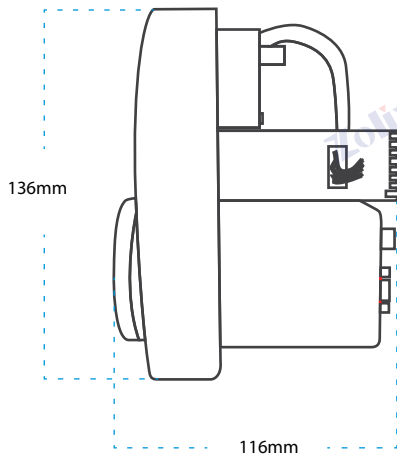
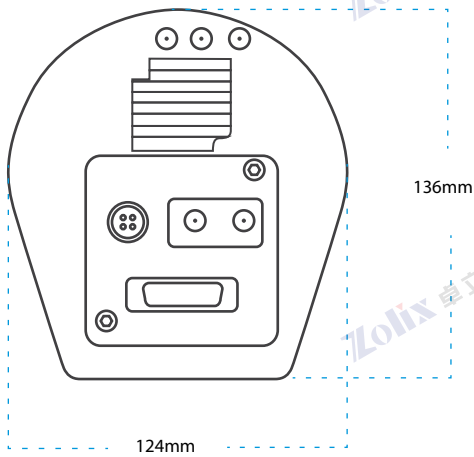
SpectroCam Short Wave InfraRed (SWIR) multispectral cameras deliver sequential full-frame images for up to 6 spectral bands between 500 – 1700nm at rates up to 30 frames per second (~5 stacks per second). Using standard and custom interchangeable filters, SpectroCam images the spectral bands fit to your specific applications. These cameras incorporate a high-sensitivity solid state InGaAs sensor, available in SWIR (1000 – 1700nm) and VIS-SWIR (500 - 1700nm)

versions with resolution up to 640 x 512 pixels. SpectroCam multispectral cameras are flexible platforms that simplify development and shorten design time. The SpectroCam SWIR camera is configurable to support a variety of wavelength ranges (SWIR, NIR-SWIR, VIS-SWIR), lenses (F-mount standard), and image formats. Also available in customized OEM modules for easy integration into handheld spectral devices and instruments.

Spectral response



Dimensions



Specifications

| Spectral response | VIS-SWIR 500 - 1700nm (640 x 512 px) | VIS-SWIR 500 - 1700nm (320 x 256 px) | SWIR 1000 - 1700nm (320 x 256 px) |
|-------------------|--|--|---|
| Sensor | Solid State InGaAs 15µm pixel pitch | Solid State InGaAs 30µm pixel pitch | Solid State InGaAs 30µm pixel pitch |
| Active area | 9.6 x 7.68mm | | |
| Frame rate | up to 30 Hz | | |
| Optical interface | F mount standard; range of lenses available (adapters available on request) | | |
| Digital output | CameraLink, 14 bit | | |
| Image enhancement | Automated gain control (AGC) Non Uniformity Correction (NUC); 3-point (offset, gain & dark current) Pixel correction | | |
| Trigger interface | trigger IN and OUT - TTL compatible | | |
| Dimensions | 136mm H x 124mm W x 116mm D "(5.4" H x 4.9" W x 4.6" D)" | | |
| Operating Temp. | -20°C to +55°C (-4°F to +131°F) | | |

Benefits

- Sequential 6-band multispectral imaging
- Broad VIS, NIR, SWIR imaging with single camera
- Up to 30 frames/second acquisition for persistent video
- Flexibility of interchangeable standard & custom filters
- 14-bit CameraLink output supports high speed digital video
- On-board AGC & NUC delivers quality images in day & night lighting

Applications

- Aerial & remote sensing
- Authentication & surveillance
- Biomedical imaging & instrumentation
- Low-light obscured vision enhancement
- Semiconductor & solar panel inspection

OEM Custom Options

- Application-specific spectral bands
- Sensor / camera / housing options
- Mechanical & environmental requirements
- Proof of concept prototypes to high volume

Contact an Application Engineer to discuss your specific application.

+1.303.273.9700 (americas)
 +31 263831707 (europe)

+86.10.5126.1868 (china)
 +91.22.6708.0420 (india)

info@pixelteq.com
 pixelteq.com

PIXELTEQ