

## Oil-Less Lab Pump Series for Vacuum & Pressure

### ■ Features ;

- ◆ Equipped with Oil-less Diaphragm Pump
- ◆ Oil-less operation & permanently lubricated bearings
- ◆ Low noise & vibration, low heat
- ◆ Compact Size & Light weight (Portable type)
- ◆ Vacuum & Pressure Gauge with regulating Valve
- ◆ Distinguished long life & easy to maintain
- ◆ PTFE(Teflon) coating provide as Standard Specification

### ■ Applications ;

- ◆ Filtration
- ◆ Gas sampling & Analyzer for Laboratory
- ◆ Rotary evaporator
- ◆ Solvent purification
- ◆ Solid-Phase Extraction
- ◆ Clean bench & Autoclave

### ■ Appearance



■ 35DNS-Lab-S  
(Vacuum only)



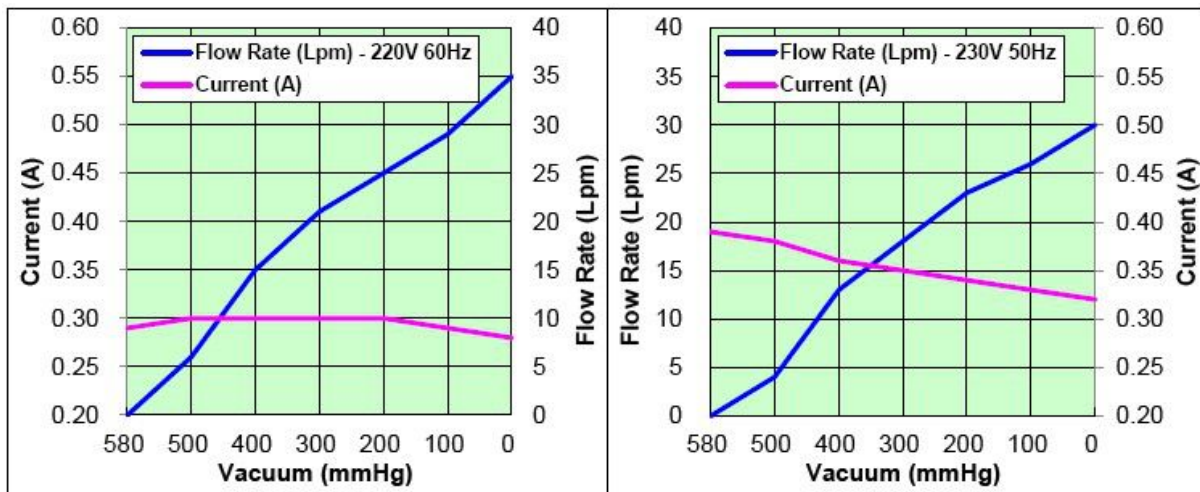
■ 35DNS-Lab-PS  
(Vacuum & Pressure available)

## Oil-Less Lab Pump Series for Vacuum & Pressure

### ■ SPECIFICATIONS

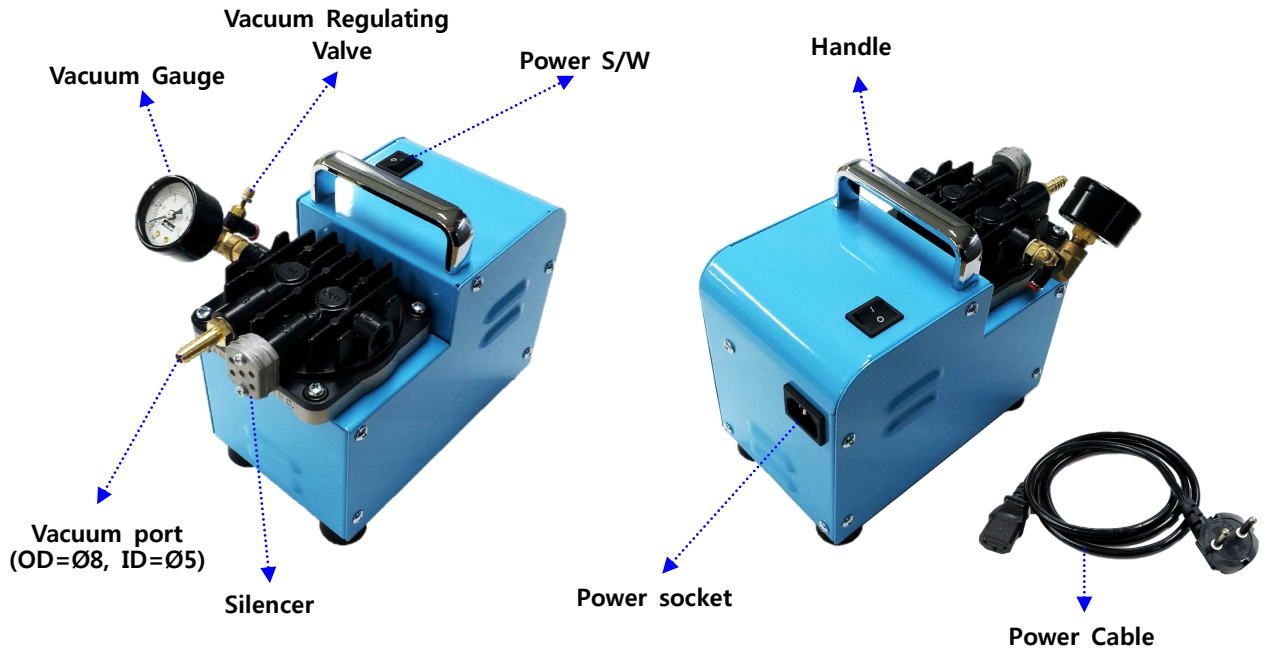
MODEL	35DNS-Lab-S	35DNS-Lab-PS
Applied Pump	Oil-less Diaphragm Pump 35DNS	
Free Flow Rate	28Lpm(50Hz), 33Lpm (60Hz)	
Max. Vacuum	580 mmHg	
Max. Pressure	N.A. (Vacuum only)	1.5bar
Connection	PT 1/4" ( R1/4" )	
Dimensions	160(W)x201(H)x248(L)mm	190(W)x201(H)x248(L)mm
Weight	4.9Kg	5.0Kg
Motor Type	4 pole, Capacitor Start Type, Equipped with Thermal Protector	
Power Consump.	58W (50Hz), 60W (60Hz)	
Rated Current	0.30A (230V, 50Hz) 0.30A (220V, 60Hz)	
Power Source	110~120 VAC (50/60Hz), 220~230 VAC (50/60Hz)	

### ■ Performance Curve of 35DNS (Single Head )

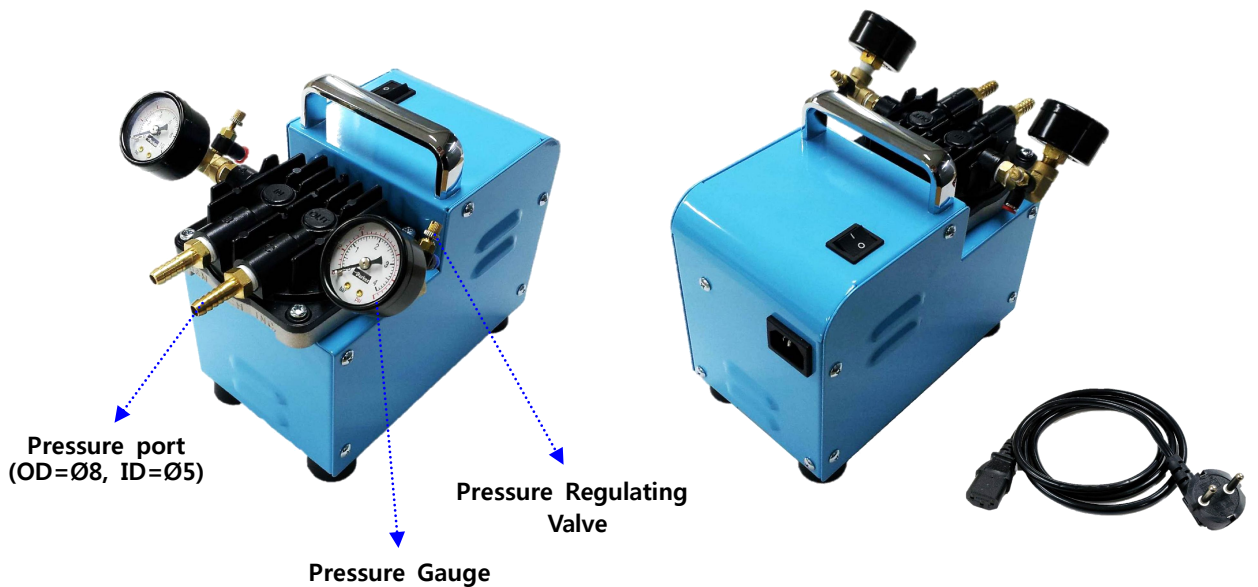


# Oil-Less Lab Pump Series for Vacuum & Pressure

## ■ 35DNS-Lab-S



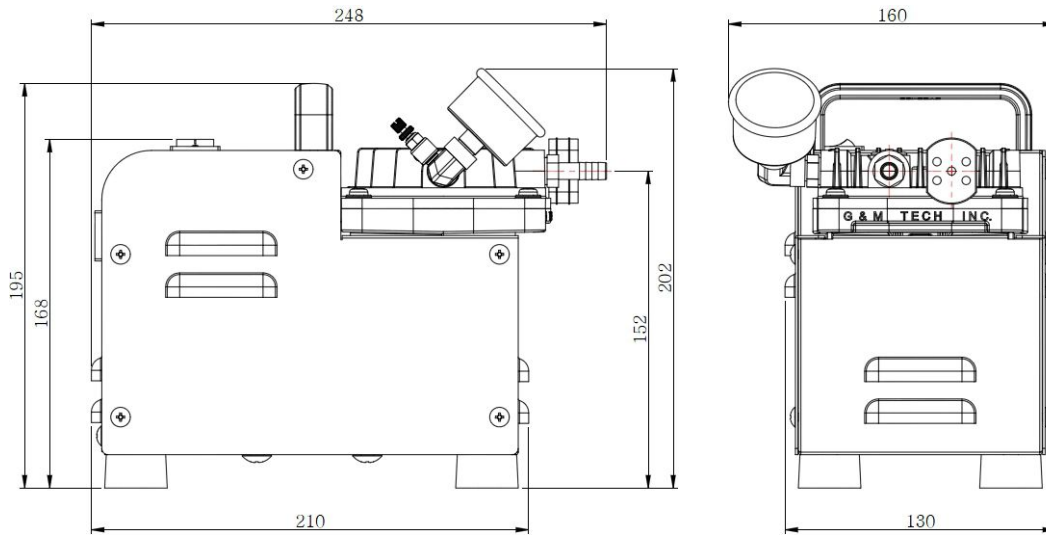
## ■ 35DNS-Lab-PS



# Oil-Less Lab Pump Series for Vacuum & Pressure

## ■ Assembly & Exploded Drawing

**Model : 35DNS-Lab-S**



File Path : C:\Work\WPumps\WLab\_Pump\Lab\_Pump\35DNS\_40T\WDesign\W20141223-3W

Start Sheet : Exploded Diagram

REVISIONS				
ZONE	REV.	DESCRIPTION	DATE	APPROVED

No.	Description	Material	Q'ty	Remarks
23	Spring washer, Capacitor		1	M4
22	Spring washer		8	M6
21	Nut, Capacitor		1	M4
20	Nut, Pump		8	M6
19	Screw, Case		14	M4
18	Screw, Capacitor		1	M4
17	Screw, Pump		4	M6
16	Rubber feet	Rubber	4	M6
15	Power Socket		1	
14	Power S/W		1	
13	Handle		1	CR
12	Case, Right side	SS400	1	
11	Case, Left side	SS400	1	
10	Case, Rear	SS400	1	
9	Case, Front	SS400	1	
8	PT Connection	Brass	1	1/4", 1/8"
7	Elbow	Brass	1	1/8"
6	Vacuum Regulating Valve		1	
5	Silencer		1	
4	Straight Fitting	Brass	1	1/4"x8
3	Vacuum Gauge		1	
2	Capacitor		1	2.5uF
1	35DNS for Lab Pump-PS		1	

P A R T S L I S T			
Drawn By	Chkd. By	Appr. By	Title of Project
Wise	SON		Diaphragm Pumps
			Lab Pump-S, Exploded Diagram-20150115
			Exploded Diagram

Third Angle Projection

Unit: mm\_gsm

Scale: 1:1 / A3

Date: 2015-01-15

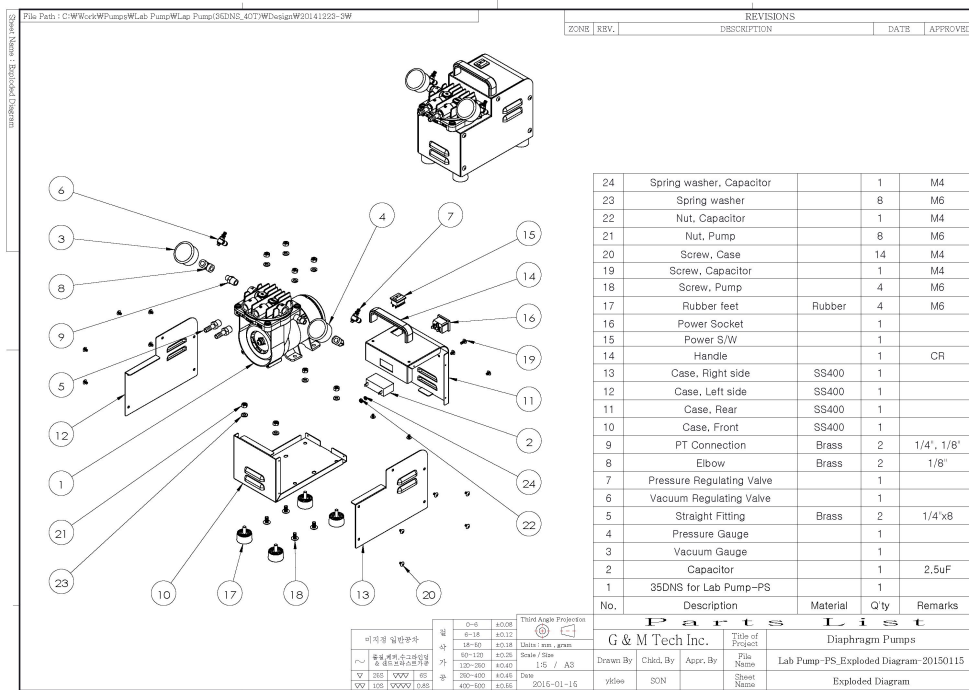
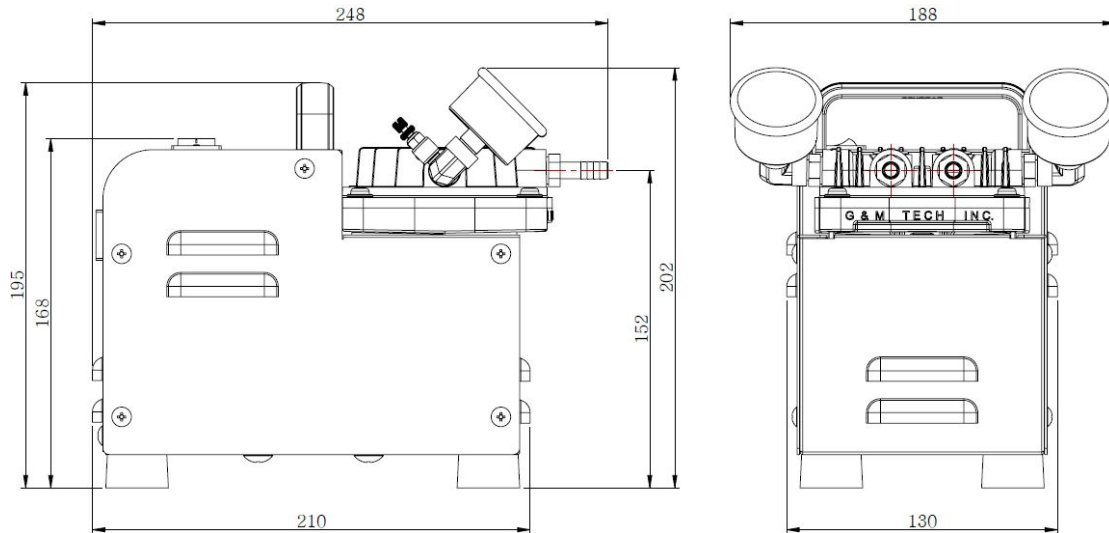
이리경 일렉트릭  
 ~ 동남/서남/호남/중앙  
 ~ 동북/서북/호북/중앙

100 100 1000 1000 1000 1000

# Oil-Less Lab Pump Series for Vacuum & Pressure

## ■ Assembly & Exploded Drawing

**Model : 35DNS-Lab-PS**



**G&M Tech Inc.**  
(주)지엔엠텍

TEL : +82-31-459-8221, FAX : +82-31-459-8611  
Home Page : <http://gntechinc.en.ec21.com>  
E-MAIL : [info@gntechinc.com](mailto:info@gntechinc.com)

Rm #. 404, Daewoo FV 1 Cha, #1030, Jung-Dong, Giheung-Gu, Yongin-City, 446-916 Korea

北京科百特科技有限公司: 北方总代理 tell:010-82935761