

## Diode Laser – Data Sheet: DFB-1742-002

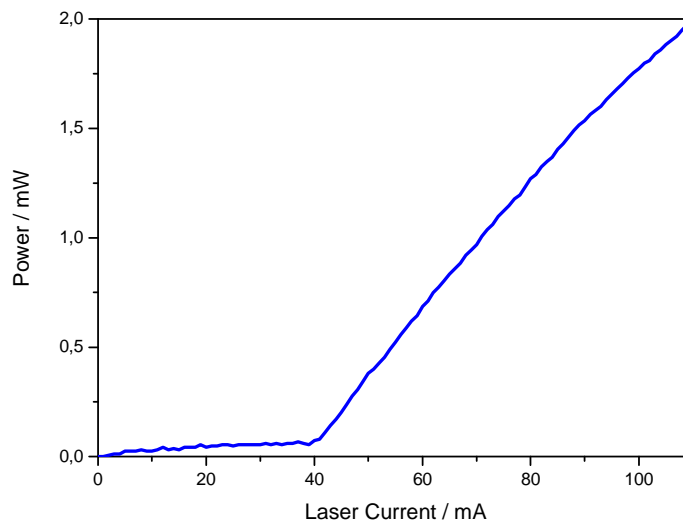
Description of the Laser Type:

### DFB Laser Diode for 1742nm

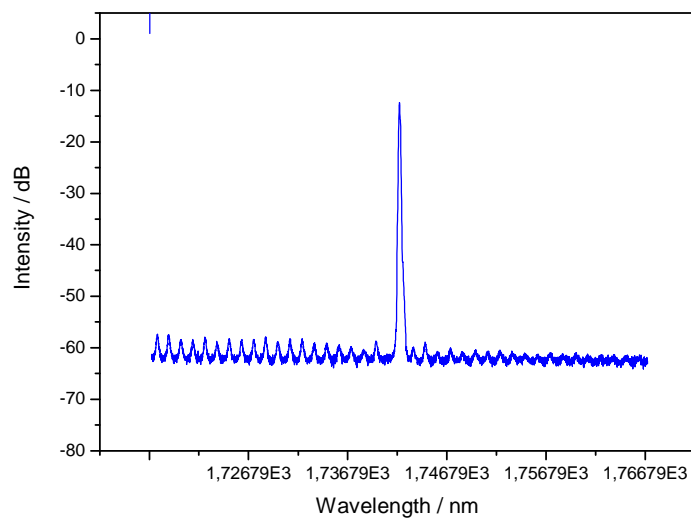
Specific Data of the Diode Laser:

Serial-No.: YE991  
I-max: 120mA  
Polarity: negative  
Temperature: 35 – 60°C

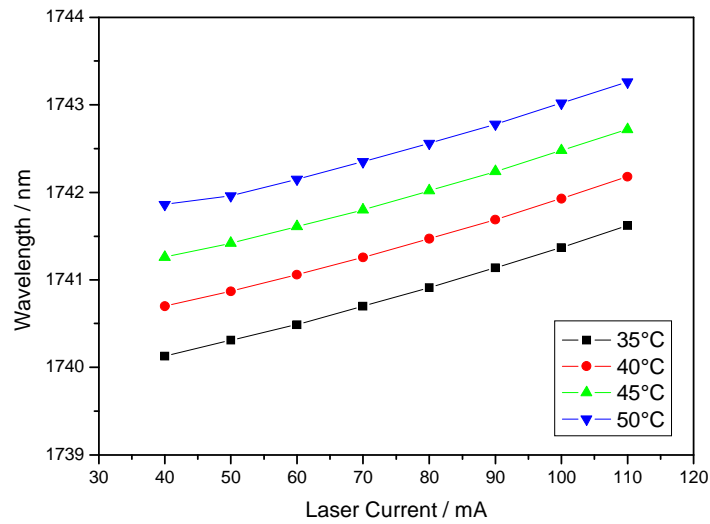
#### Laser current:



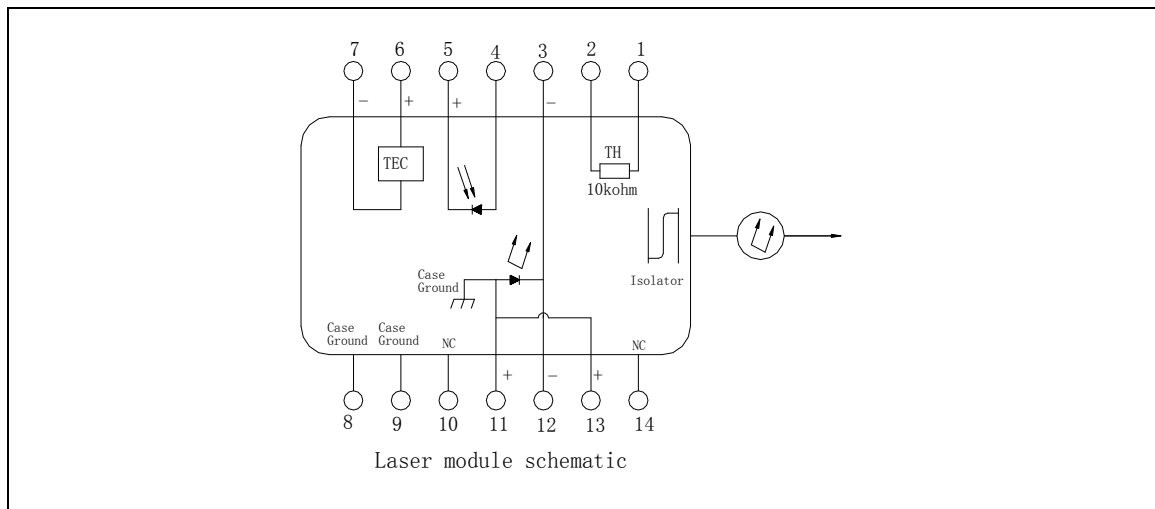
#### Spectrum:



## Tuning Behavior:



## Pin connection



Pin	Function	Pin	Function
1	Thermistor	8	Case Ground
2	Thermistor	9	Case Ground
3	Laser Cathode (-)	10	NC
4	MPD Anode	11	Laser Anode (+), Case Ground
5	MPD Cathode	12	Laser Cathode (-)
6	TEC (+)	13	Laser Anode (+), Case Ground
7	TEC (-)	14	NC

Date: 15.02.2014

Signature: