

S 6250, S 6300 auto samplers

The S 6250 and S 6300 auto samplers are very flexible and powerful HPLC and GPC/SEC auto samplers with excellent reproducibility and linearity properties.

Variable vial racks and adaptors for microtiter plates as well as a multitude of firmware options make this systems highly adaptable and suitable for any analytical application.

Auto sampler S 6250 (60 samples) is in a small housing and the auto sampler S 6300 (120 samples) is in a slightly larger housing (see technical specifications).



Robust design

Durable X/Y/Z-sampling

The S 6250 and S 6300 auto samplers features a mechanically durable X / Y / Z - sampling-mechanic designed for long life operation. The self-lubricating bearings keep the routine maintenance at a minimum and avoid troubles caused by dusty environments. High precision stepper motors drive the X/Y axis for accurate positioning. Micro stepping mode enables a high resolution for the syringe dosing and vial positioning.

Dual-Needle Design

The dual-needle design of the S 6250 and S 6300 auto samplers avoids system blockages due to septum particles injected into the system.

The ventilation needle pierces the septum before the injection needle moves into the sample vial (see figure on the right). As the more fragile injection needle does not need to pierce the vial septum, stronger vial caps or plastic vials can be used without problems.

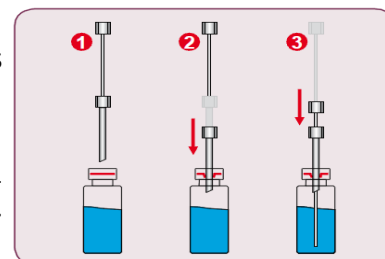


Figure: Dual -Needle injection

Accessibility

The injection valve with sample loop and injection port can be accessed directly from the instrument front without removing any protective covers.

The dosing syringe can be accessed from the side of the instrument through a hinged glass panel.

The exchange of the syringe can be done without the requirement of any tools.

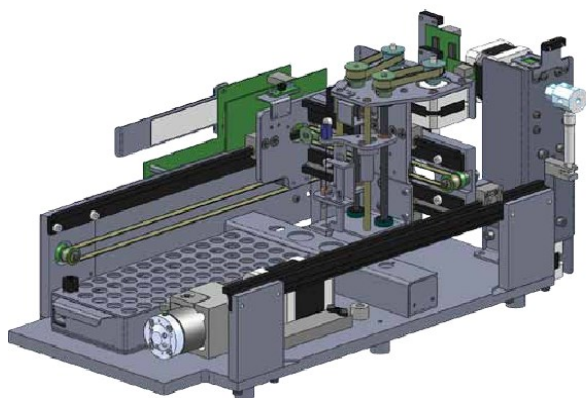


Figure: mechanic design

Schambeck SFD GmbH

Drieschweg 13A
D-53604 Bad Honnef/Germany

Phone: +49 2224 9239 - 0
Fax: +49 2224 9239 - 20
E-Mail: mailto@schambeck-sfd.com
Internet: www.schambeck-sfd.com

S 6250, S 6300 auto samplers

Precision & modularity

Performance

The S 6250 and S 6300 auto samplers offers multiple injection modes depending on application and sample needs. Besides fixed loop overfilling and variable volume injection the instrument offers a *Zero-Waste* injection mode for injecting very small sample amounts by moving the sample into the middle of the sample loop. Linearity and injection precision can be optimized for any volume by different sample loops and syringe sizes.

Modular options

The modular nature of the S 6250 and S 6300 auto samplers offers the possibility to “just buy what you need”. Modular options include sample heating/cooling (only for S 6300, Range +4°C (RT-20°C) up to 60°C) for any sensitive sample material and derivatization for automatized pre-column derivatization tasks from reagent derivatization to automatic sample dilution (available 4. quarter 2014)

Technical specifications*

Wetted Materials:	Stainless Steel / PEEK*, PPS, PVDF
Sample capacity:	S 6250 60/90 vials (1.5 ml), 96 (micro titer plates) S 6300 120 vials (1.5 ml), 192 (micro titer plates)
Injection Volume:	Programmable 0.1 - 999.9 µl
Injection Precision:	< 0.5 % Variable Volume Injection (10 µl; typically ~0.25 %)
Linearity:	Correlation Factor > 0.999 (10 µl injection volume, 500 µl Syringe)
Cary Over:	< 0.05 % with wash program
Dimensions:	S 6250 310 x 210 x 478 mm (W x H x D) S 6300 396 x 210 x 478 mm (W x H x D)
Weight:	TBA
Power Supply:	100 - 250 V (47—63 Hz)

* depending on configuration

Order information S 6250 and S 6300 auto sampler

Part-no.	Description
S6250	S 6250 auto sampler , 60 vials (1,5ml) fix injection volume
S6300	S 6300 auto sampler , 120 vials (1,5ml) fix injection volume
S6250-01	Upgrade variable injection volume for auto sampler S 6250 and S 6300
S6250-02	Upgrade cooling/heating for auto sampler S6300 (4°C (RT-20°C) up to 60°C)
S6250-03	Upgrade derivatization auto sampler S 6250 and S 6300 (available 4th quarter 2014)

Spare parts S 6250 and S 6300 auto sampler

Part-No.:	Description:
2020064	Injection needle auto sampler S 6250 and S 6300
2020065	Air needle auto sampler S 6250 and S 6300
2601155	Rotor Seal auto sampler S 6250 and S 6300